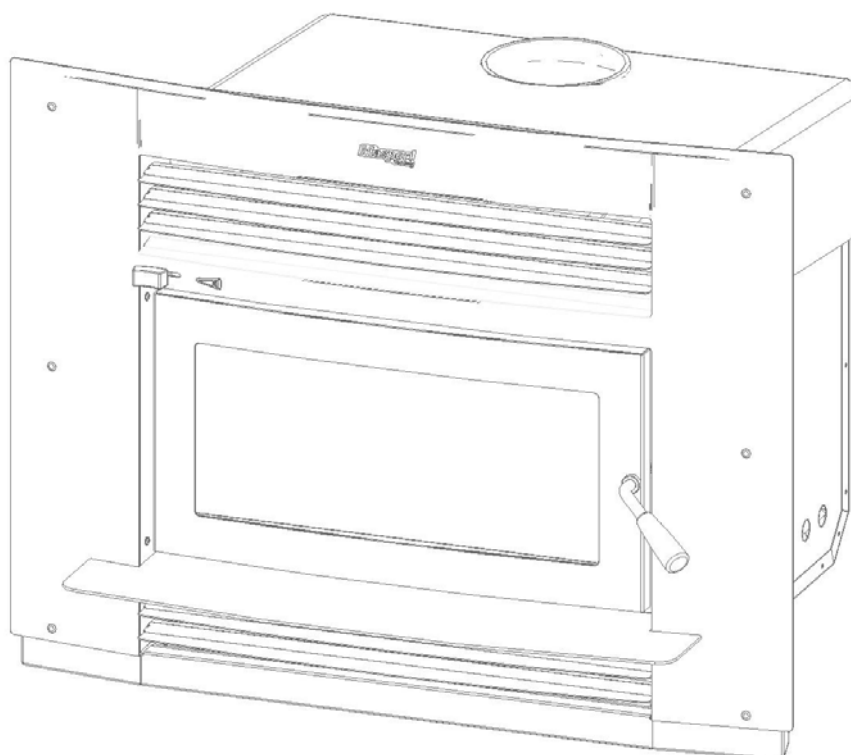




MASPORT I3000 DRY INSERT FIRE MASPORT I3000 WET INSERT FIRE

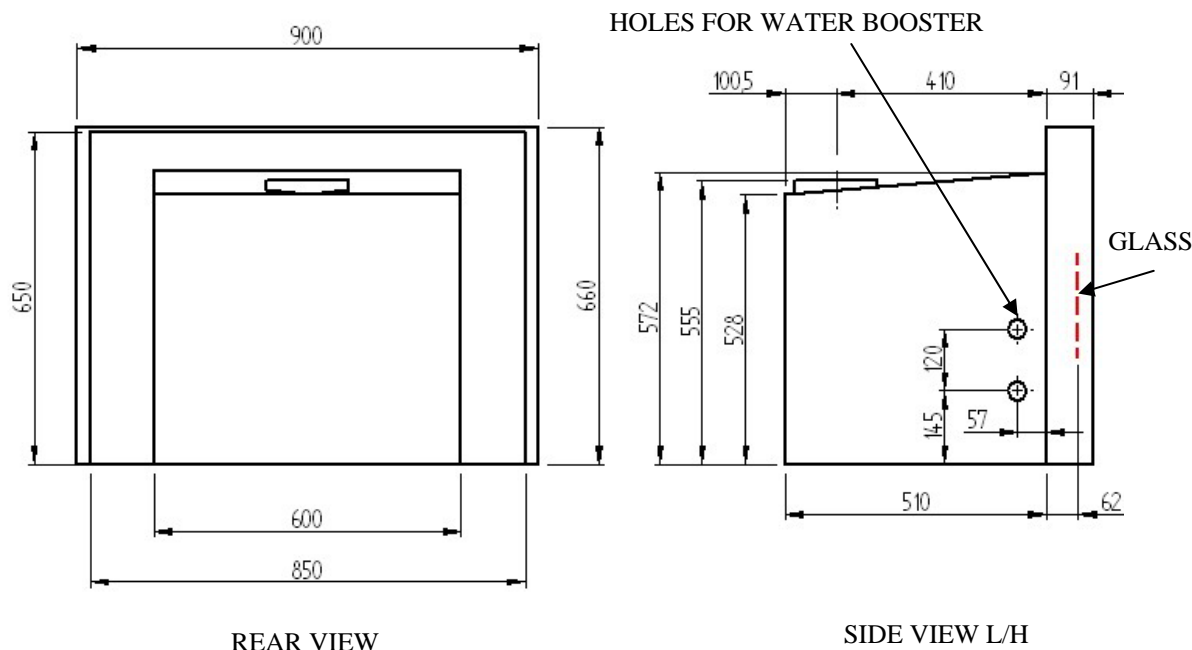
INSTALLATION INSTRUCTIONS



Manufactured in New Zealand by:
GLEN DIMPLEX AUSTRALASIA LIMITED
38 Harris Road, East Tamaki
Auckland
Ph: 0800 666 2824
Fax: 09274 8472
Email: sales@glendimplex.co.nz
Web: www.glendimplex.co.nz

Distributed in Australia by:
GLEN DIMPLEX AUSTRALIA PTY LIMITED
Unit 2, 205 Abbots Road, Dandenong South
Victoria, 3175
Ph: 1 300 566 816
Fax: 1 800 058 900
Email: sales@glendimplex.com.au
Web: www.glendimplex.com.au

DIMENSIONS:



NOTE: Dimensions do not include the insulating blankets. Add 15mm to each side and rear and top to allow for insulating blanket.

CAUTION: Check with your local council or the manufacturer if you are allowed to install a water heating booster with this fire.

NOTE: Water booster can be installed with exit at L/H side as shown or with exit at R/H side.

INTRODUCTION

In the interest of your safety, most building regulatory Authorities in Australia and New Zealand require any woodfire installation to comply with Installation Standard AS/NZS 2918:2001, Appendix E. They may also have local requirements in addition to those in the Standard. Check with your local Building Authority **before commencing installation** to find if you will require a Permit and whether there are extra requirements. This woodfire has been tested to ensure that it will meet the appropriate safety Standard requirements if these instructions are followed. As the safety and emission performance can be affected by altering the appliance, no modifications are allowed without written permission from the manufacturer.

The model I3000 has been tested to demonstrate compliance with current general emission requirements in Australia and New Zealand, but some areas have stricter limits. So **check before** purchasing or installing the requirements for your area.

WE RECOMMEND THAT THE INSTALLATION OF YOUR MASPORT WOODFIRE BE CARRIED OUT BY A QUALIFIED SPECIALIST INSTALLER.

IF ANY ELECTRICAL WORK IS REQUIRED, IT MUST IT MUST BE CARRIED OUT BY A LICENSED ELECTRICIAN.

IN SOME REGIONS POWER POINTS ARE NOT PERMISSIBLE WITHIN THE FLOOR PROTECTOR AREA, PLEASE CHECK WITH YOUR LOCAL AUTHORITY.

IF THE SUPPLY CORD IS DAMAGED, IT MUST BE REPLACED BY THE MANUFACTURER OR ITS SERVICE AGENT OR A SIMILARY QUALIFIED PERSON IN ORDER TO AVOID ELECTRICAL HAZARD.

WARNING: THE APPLIANCE AND FLUE SYSTEM MUST BE INSTALLED IN ACCORDANCE WITH AS/NZS 2918:2001 AND THE APPROPRIATE REQUIREMENTS OF THE REVELANT BUILDING CODE OR CODES.

WARNING: APPLIANCES INSTALLED IN ACCORDANCE WITH THIS STANDARD SHALL COMPLY WITH THE REQUIREMENTS OF AS/NZS 4013 WHERE REQUIRED BY THE REGULATORY AUTHORITY, I.E. THE APPLIANCE SHALL BE IDENTIFIABLE BY A COMPLIANCE PLATE WITH THE MARKING 'TESTED TO AS/NZS 4013'. ANY MODIFICATION OF THE APPLIANCE THAT HAS NOT BEEN APPROVED IN WRITING BY THE TESTING AUTHORITY IS CONSIDERED TO BE IN BREACH OF THE APPROVAL GRANTED FOR COMPLIANCE WITH AS/NZS 4013.

WARNING FOR APPLIANCES WITH WATER HEATING DEVICES: DO NOT CONNECT TO AN UNVENTED HOT WATER SYSTEM. INSTALL IN ACCORDANCE WITH AS 3500.4.1 OR NZS 4603 AND THE APPROPRIATE REQUIREMENTS OF THE REVELANT BUILDING CODE OR CODES.

PLEASE ENSURE THAT ONLY COMPONENTS APPROVED BY GLEN DIMPLEX AUSTRAL-ASIA LTD ARE USED FOR INSTALLATION, as substitutes may adversely affect performance and might nullify compliance with the requirements of AS/NZS 2918:2001.

CAUTION: MIXING OF APPLIANCE OR FLUE SYSTEM COMPONENTS FROM DIFFERENT SOURCES OR MODIFYING THE DIMENSIONAL SPECIFICATION OF COMPONENTS MAY RESULT IN HAZARDOUS CONDITIONS. WHERE SUCH ACTION IS CONSIDERED, THE MANUFACTURER SHOULD BE CONSULTED IN THE FIRST INSTANCE.

CAUTION: CRACKED OR BROKEN COMPONENTS, E.G. GLASS PANELS, MAY RENDER THE INSTALLATION UNSAFE.

NOTE

The following instructions cover the installation of the model I3000 Insert Fire into a sound masonry fireplace which has an integral masonry chimney. Where such a chimney is not available, the heater can be installed into a timber framed structure provided that it is mounted in a special 'build in' (or 'zero clearance') metal shielding box. Build-in (zero clearance) installation kits and the special fascia and the special flue components necessary are available from your Masport Heating Dealer. Full assembly instructions are included in the kit.

INSTALLATION REQUIREMENTS

FIREPLACE PREPARATION

For a safe installation the following matters must be attended to:

The masonry fireplace and chimney must be thoroughly cleaned and checked for soundness.

The chimney must not connect to a second fireplace.

The joint between the chimney face and the fireplace surround must be checked and sealed to prevent leakage if necessary.

The fire may be installed in a sound masonry fireplace equipped with a sound masonry chimney. Further it may be installed in a masonry enclosure by following the requirements detailed in AS/NZS 2918:2001. Again it may also be installed in a timber framed enclosure using a 'zero clearance' kit. (Please refer to separate installation instructions).

The flue pipe must be fitted right up the masonry chimney to exit above the chimney top, and the space between the flue pipe and chimney must be ventilated at the top. The area of this vent must be not less than 10'000mm². The vent must be fitted with means to prevent significant ingress of water and debris. The flue must be free to move up and down at the top as it expands and contracts with temperature changes. This movement can be 25mm or more.

FIREPLACE CAVITY DIMENSIONS (MINIMUM):

Width: 660mm

Height: 590mm

Depth: 525mm

Distance from face of fire place surround to centre of flue spigot: 410mm

DISTANCES TO HEAT SENSITIVE MATERIALS:

SIDE WALLS:

Minimum distance to heat sensitive (combustible) sidewalls: 500mm from centerline of heater.

MANTLE SHELF COLUMNS:

Minimum distance from centre line of heater: 460mm.

Maximum projection out from fireplace surround: 105mm.

MANTLE SHELF:

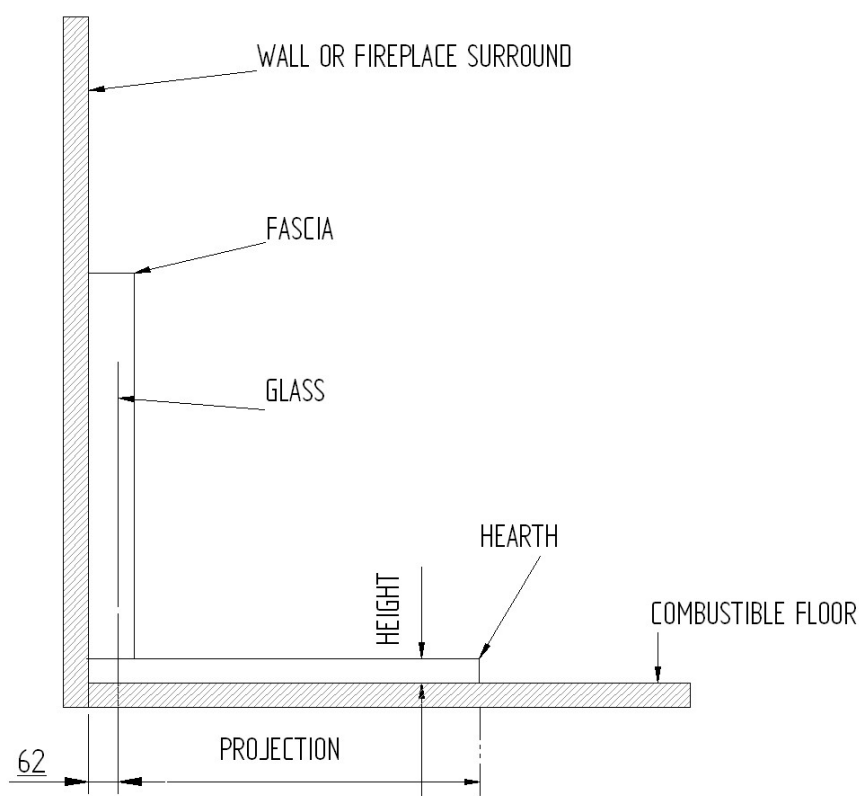
Mantle shelf must be at least 1150mm above the base of the heater and it must not protrude more than 80mm from the face of the fireplace surround.

HEARTH REQUIREMENTS:

You need an **insulating floor protector (hearth)**. The minimum requirement for an insulating floor protector (hearth) is one layer of 6mm thick 'Promatect H' (or similar with a heat transition coefficient of 5 W/m³ K), and a layer of tiles or slate. This will give a thickness of approximately 14mm, and the extension from the face of the glass must be at least 359mm if the top of the floor protector is 14mm above the surrounding combustible heat sensitive material (eg carpet). The floor protector must be at least 900mm wide. **It is desirable to carry the floor protector all the way inside the fireplace to ensure that the bottom of the fire does not rest below the top surface of the floor protector.** Of course an existing fireplace should already have a suitable hearth. Please check the dimensions.

The projection distance for the floor protector can be reduced if the height of the hearth is more than 14mm above combustible materials. Please refer to the following table:

HEARTH PROJECTIONS



	PROJECTION FROM GLASS	PROJECTION FROM FIRE PLACE SURROUND
mm	mm	mm
0	398	460
10	371	433
14	359	421
20	344	406
30	311	373
33	300	362

INSTALLING THE FIREBOX AND FLUE

Remove the door from the fire by opening it and lifting it up until the top pivot comes free and then lower the door until the bottom pivot comes free.

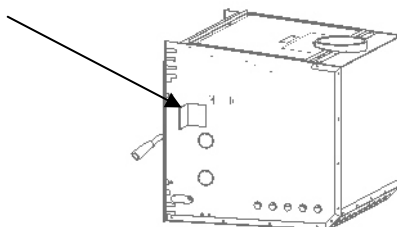
You require a 150mm diameter flue. We recommend the use of the GDA flue kit for insert fires. Measure the fireplace recess and remove bricks as necessary to accept the firebox outer case. Clear away any rubble and clean, inspect and seal the chimney and fireplace as detailed under 'INSTALLATION REQUIREMENTS'.

Check the distance back from the face of the surround to the centre of chimney to determine whether the flue will require an offset fitting. If needed, fix it to the lower end of the assembled flue sections in the chimney and lift the flue assembly up while the firebox case is pushed back into the recess. Verify that the case will be fully supported in a level position when installed.

Fit the insulating blanket measuring 13X610x950mm approx from left to right. It will hang down either side and a bit less at the rear.

Slide the case into the cavity and adjust its position so that flanges of the two side brackets are in line with the face of the fireplace surround. See sketch.

FLANGES OF SIDEBRACKETS TO TOUCH OR BE IN LINE WITH FACE OF FIREPLACE SURROUND.



Slide out the top front section of the case for access for fitting and fixing the flue. Lower the flue into position. Seal the flue at the firebox spigot using fire cement or fiberglass rope. Secure the flue to the spigot. Use stainless steel screws. Re-fit the sliding panel with the insulating blanket on top of the firebox outer cabinet.

In New Zealand and some parts of Australia, Standards require that the woodfire be secured to prevent shifting in the event of an earthquake.

To provide seismic restraint, screw the case to the base of the fireplace recess with at least two 6mm masonry anchors (Dynabolts) or two 12 gauge screws through the holes in the bottom of the firebox outer case. (Fasteners not supplied).

INTERNAL PARTS

Ensure that the ceiling baffle, secondary air tubes and the eight side bricks and the two rear bricks are in their correct position.

INSTALLING THE FASCIA

Unpack fascia and ash shelf.

Move fascia to the front of fire and gently slide the assembly inwards. Secure with 4 screws to the cabinet. The screws are positioned either side of the door opening.

Attach the wooden knob to the air slide. Screw facing downwards.

Fit the ash shelf to the fire, by inserting two screws from the inside of the firebox into the ash shelf. Make sure the screws are tight. Also take care not to scratch any fascia panels.

Fit the door. Hook the bottom pivot over the lower end of the hinge pin and lift the door up until the top pivot drops over the top end of the hinge pin.

Check the installation.

Hand over the owner's manual to the owner of the fire.