

Masport® Heating

FREESTANDING ULEB WOOD FIRES

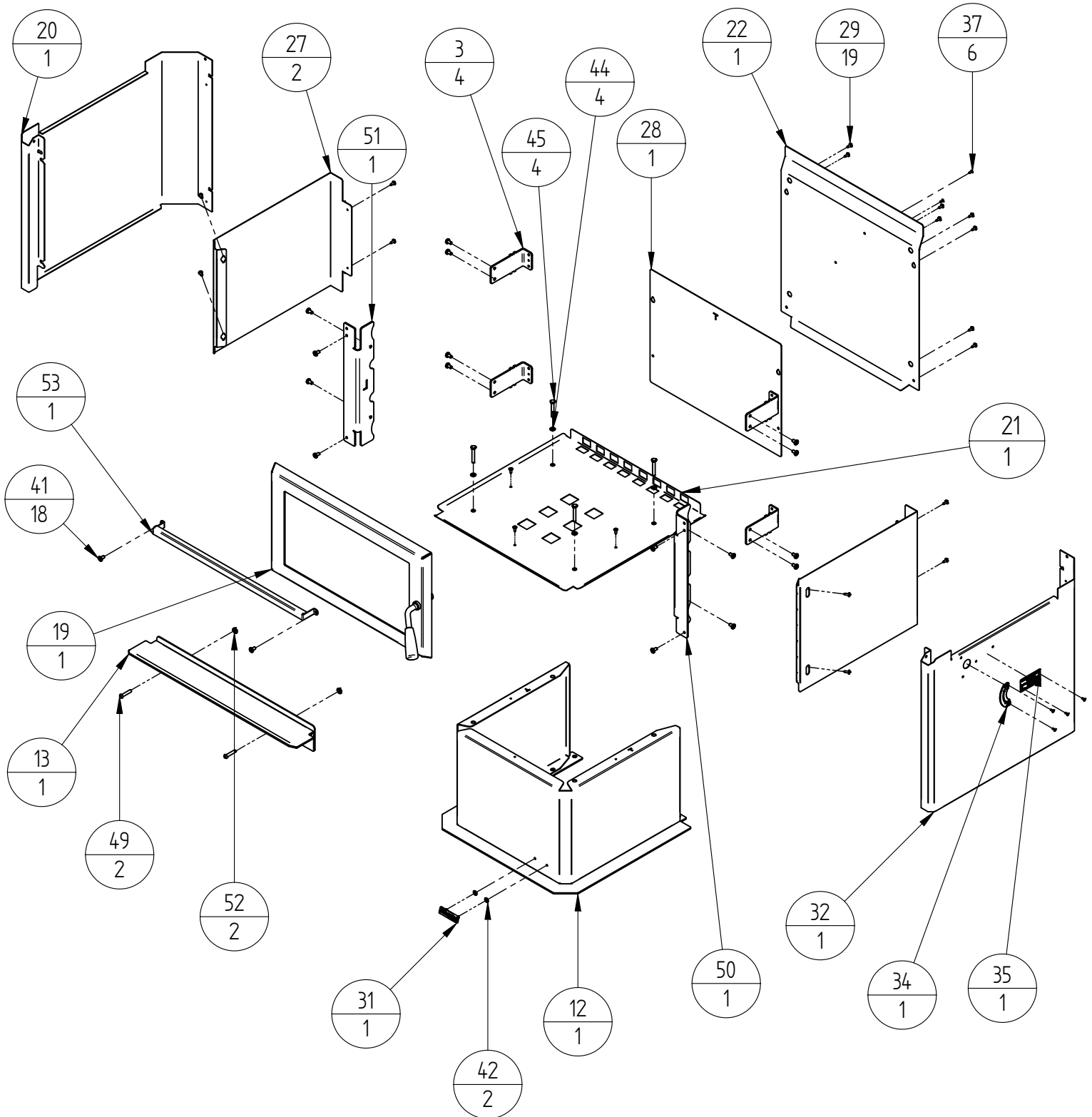
WAIMAKARIRI - NEW ZEALAND

Item No.	MARKET	FUEL TYPE	FINISHING	YEAR	CATALYST
999903 PED (NO ASH)	NZ	SOFTWOOD	METALLIC BLACK VHT PAINT	FEB-2020	YES
999904 LEG					
999905 PED (ASH)					



When ordering PLEASE QUOTE PART ID, MODEL Number & DESCRIPTIONS, NOT ITEM Number
determining left hand side from viewing position

DOOR, PANELS, PEDESTAL, 999903 (NO ASH)



When ordering PLEASE QUOTE PART ID, MODEL Number & DESCRIPTIONS, NOT ITEM Number
determining left hand side from viewing position

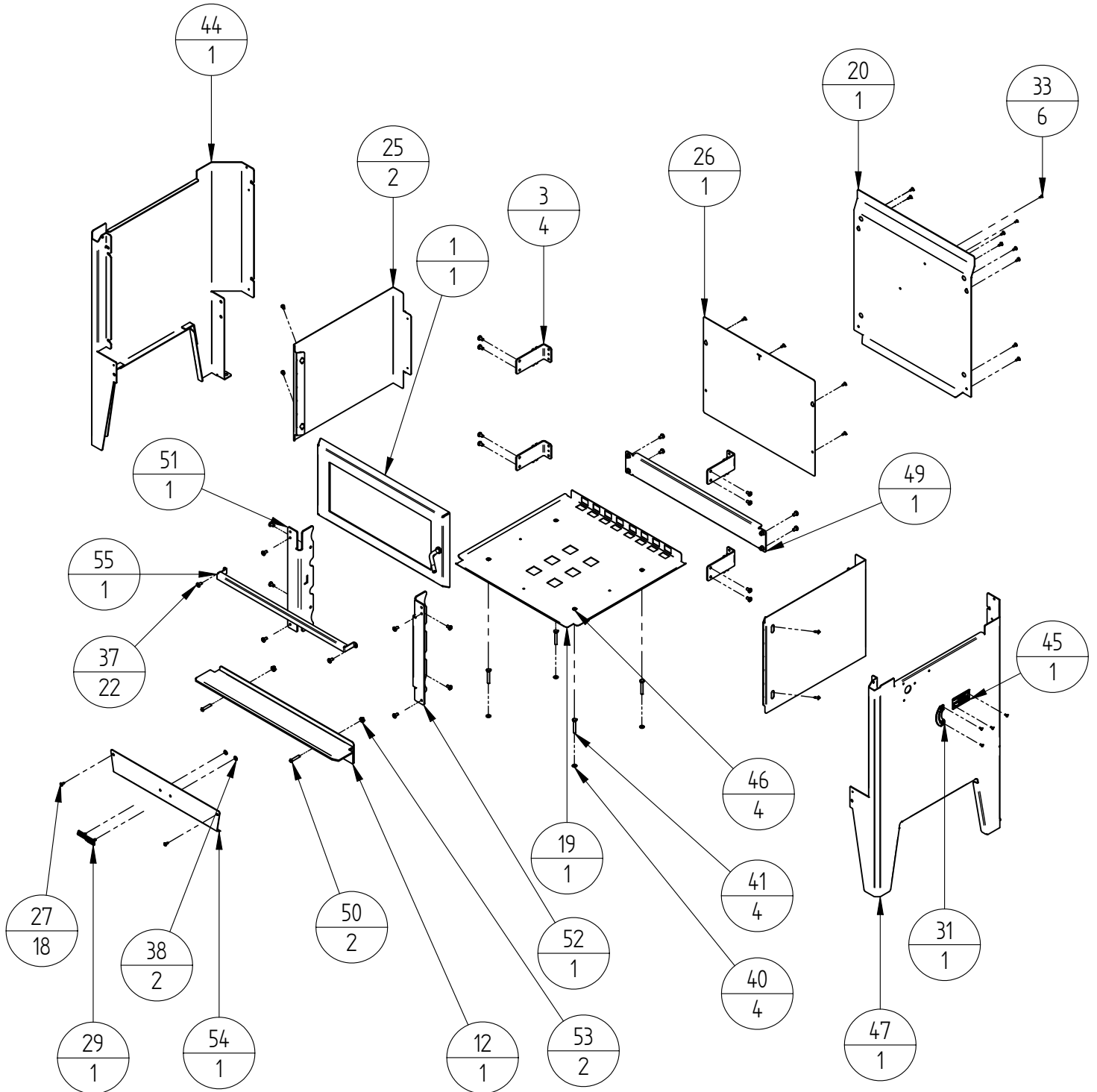
DOOR, PANELS, PEDESTAL, 999903 (NO ASH)

Item Number	File Name (no extension)	Finish	Title	Quantity
12	999391	V02	WAIMAKARIRI PEDESTAL WELDED SUB	1
13	999404	V02	WAIMAKARIRI ASH PLATE ASSEMBLY	1
19	992176	-	R3000 DOOR COMPLETE ASSY	1
20	999353	V02	WAIMAKARIRI L/H SIDE PANEL	1
21	999397	V02	WAIMAKARIRIRI BASE H/S CLOSED	1
22	999355	V02	WAIMAKARIRIRI REAR PANEL	1
27	999378	-	WAIMAKARIRI H/S SIDE PANEL V2	2
28	999376	-	WAIMAKARIRI REAR H/S PANEL	1
29	521645	-	SCREW; S/T 8GX1/2" MUSH FLANGE POZI BLK	19
31	587838	-	BADGE MASPORT HEATING 'NEW 2020'	1
32	999354	V02	WAIMAKARIRI SIDE PANEL R/H	1
34	598647	-	DD OPEN/CLOSE BADGE	1
35	599099	-	RAKAIA DAMPER INSTRUCTION LABEL	1
37	524038	-	RIVET; 73 STST 4-3 (S/S)	6
41	521045	-	SCREW; M6X10 PAN POZI BLK	18
42	526009	-	CLIP; STARLOCK M4	2
44	523031	-	WASHER; FLAT M6 ZP	4
45	521060	-	SCREW; M6X35 HEX ZP	4
49	521813	-	SCREW; CAP M6X40 BUTTON ALLEN BLK	2
50	999338	V02	WAIMAKARIRI DOOR RIDDLE RH SIDE	1
51	999393	V02	WAIMAKARIRI DOOR RIDDLE LH SIDE	1
52	522801	-	NUT; SERRATED FLANGE M6 ZP	2
53	999373	V02	WAIMAKARIRI AIRSLIDE LOUVER 'NEW'	1

*Optional Spare Kit

When ordering PLEASE QUOTE PART ID, MODEL Number & DESCRIPTIONS, NOT ITEM Number
determining left hand side from viewing position

DOOR, PANELS, 999904 LEG



When ordering PLEASE QUOTE PART ID, MODEL Number & DESCRIPTIONS, NOT ITEM Number
determining left hand side from viewing position

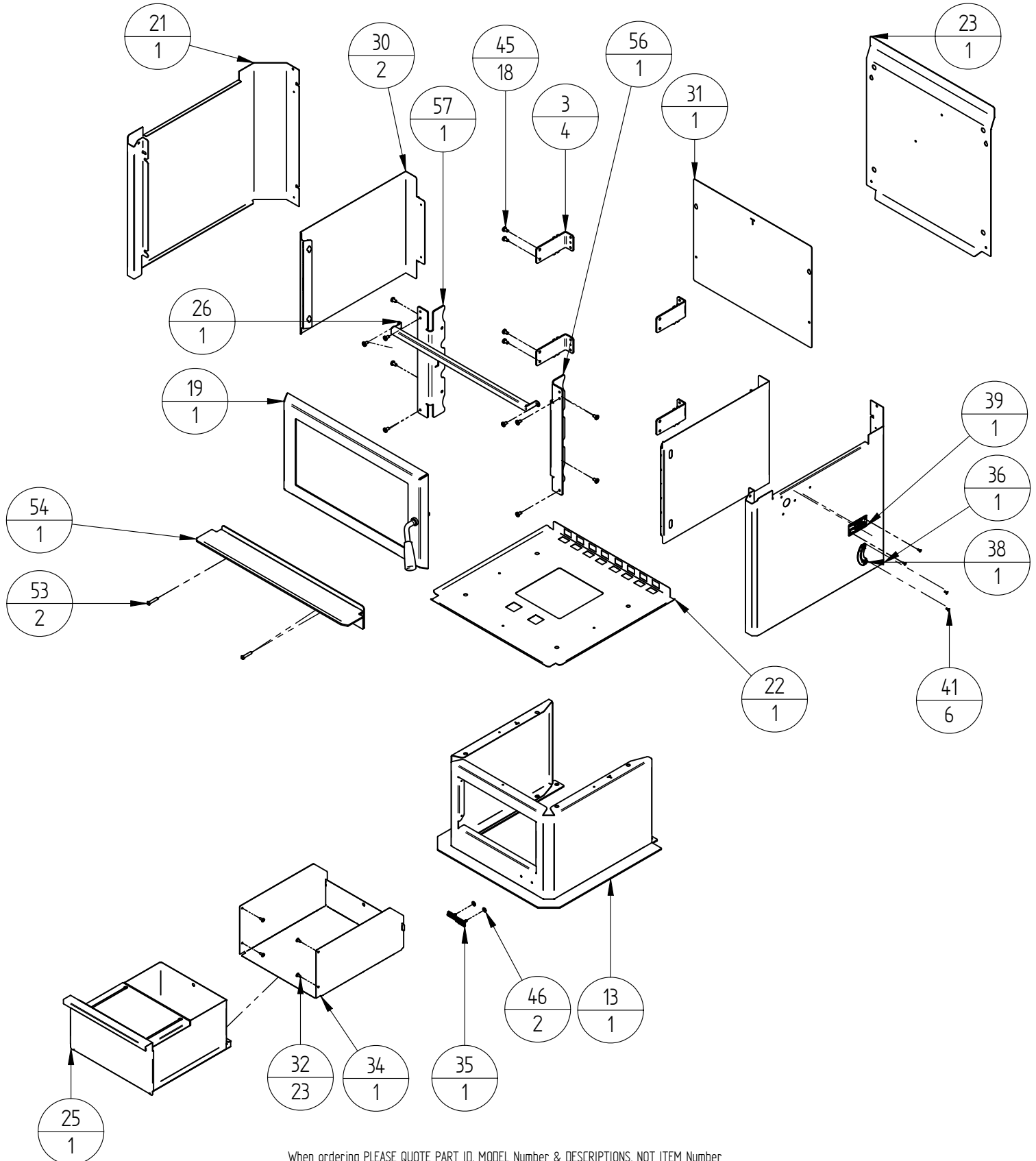
DOOR, PANELS, 999904 LEG

Item Number	File Name (no extension)	Finish	Title	Quantity
1	992176	-	R3000 DOOR ASSEMBLY COMPLETE	1
3	999039	-	RAKAIA REAR PANEL SUP BRKT	4
12	999404	V02	WAIMAKARIRI ASH PLATE ASSEMBLY	1
19	999397	V02	WAIMAKARIRIRI BASE H/S CLOSED	1
20	999355	V02	WAIMAKARIRIRI REAR PANEL	1
25	999378	-	WAIMAKARIRI H/S SIDE PANEL V2	2
26	999376	-	WAIMAKARIRI REAR H/S PANEL	1
27	521645	-	SCREW; S/T 8GX1/2" MUSH FLANGE POZI BLK	18
29	587835	-	BADGE MASPORT HEATING	1
31	598647	-	DD OPEN/CLOSE BADGE	1
33	524038	-	RIVET; 73 STST 4-3 (S/S)	6
37	521045	-	SCREW; M6X10 PAN POZI BLK	22
38	526009	-	CLIP; STARLOCK M4	2
40	523031	-	WASHER; FLAT M6 ZP	4
41	521060	-	SCREW; M6X35 HEX ZP	4
44	999379	V02	WAIMAKARIRI L/H SIDE PANEL WELD ASSY	1
45	599099	-	RAKAIA DAMPER INSTRUCTION LABEL	1
46	522605	-	NUT; RIVNUT STD/FLANGE M6	4
47	999380	V02	WAIMAKARIRI L/H SIDE PANEL SUB ASSY	1
49	999333	V02	WAIMAKARIRI REAR LEGS BRACKET	1
50	521813	-	SCREW; CAP M6X40 BUTTON ALLEN BLK	2
51	999393	V02	WAIMAKARIRI DOOR RIDDLE LH SIDE	1
52	999338	V02	WAIMAKARIRI DOOR RIDDLE RH SIDE	1
53	522801	-	NUT; SERRATED FLANGE M6 ZP	2
54	999377	V02	WAIMAKARIRI LEGS FRONT BRACE	1
55	999373	V02	WAIMAKARIRI AIRSLIDE LOUVER 'NEW'	1

*Optional Spare Kit

When ordering PLEASE QUOTE PART ID, MODEL Number & DESCRIPTIONS, NOT ITEM Number
determining left hand side from viewing position

DOOR, PANELS, PEDESTAL, DRAWER, 999905 (ASH)



When ordering PLEASE QUOTE PART ID, MODEL Number & DESCRIPTIONS, NOT ITEM Number
determining left hand side from viewing position

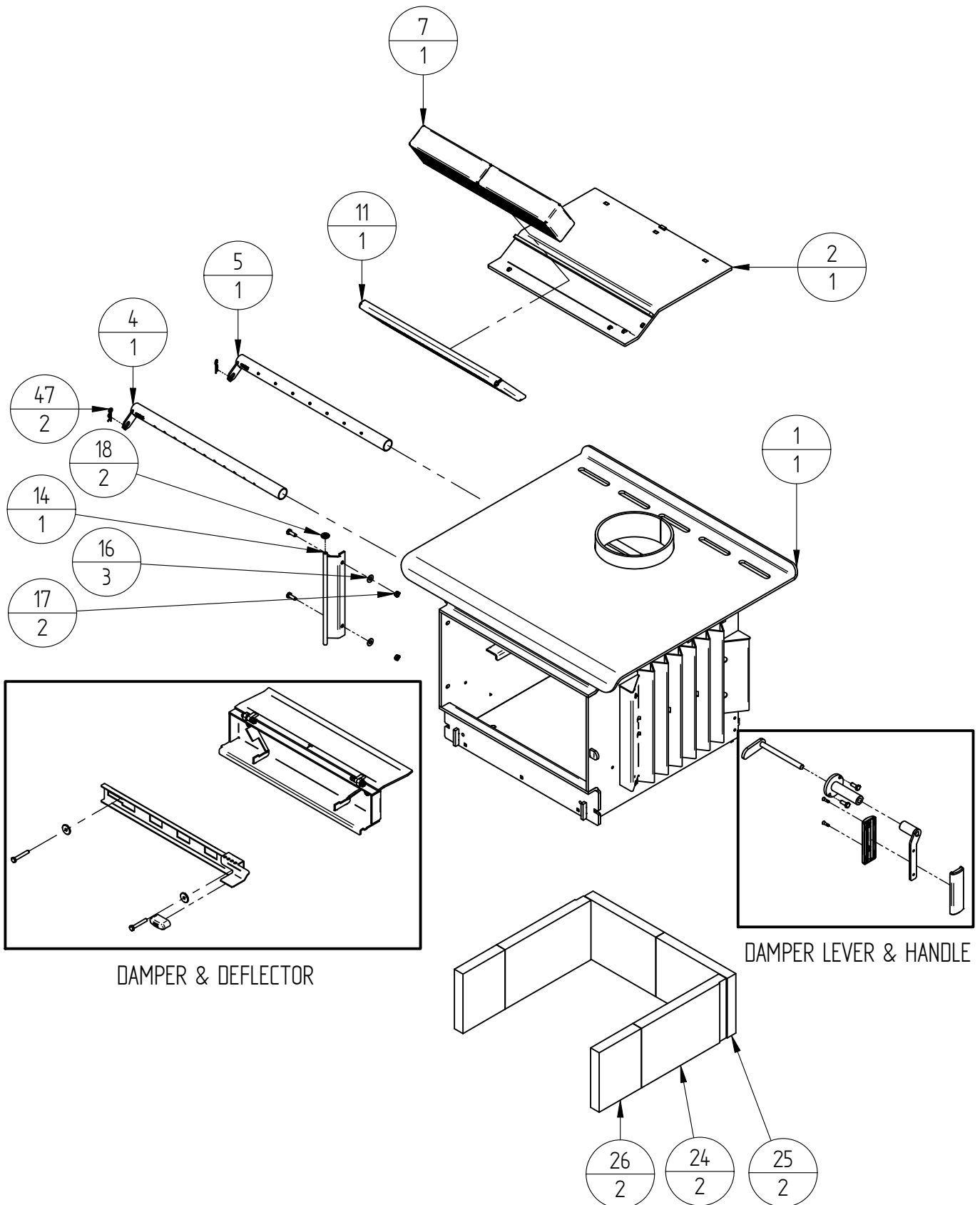
DOOR, PANELS, PEDESTAL, DRAWER, 999905 (ASH)

Item Number	File Name (no extension)	Finish	Title	Quantity
10	522117	-	NUT; HEX STD M6 ZP	4
12	999053	V02	LH SIDE PANEL	1
13	999054	V02	RH SIDE PANEL	1
14	999055	V02	RAKAIA REAR PANEL	1
15	999062	V02	RAKAIA ASH SHELF PEM STUDS INSERTED	1
21	587835	-	BADGE MASPORT HEATING	1
22	999073	V02	RAKAIA AIRSLIDE LOUVER	1
29	999075	-	RAKAIA H/S PANEL SIDES	2
30	999076	-	RAKAIA REAR H/S PANEL	1
31	521645	-	SCREW; S/T 8GX1/2" MUSH FLANGE POZI BLK	20
33	521045	-	SCREW; M6X10 PAN POZI BLK	12
38	999039	-	RAKAIA REAR PANEL SUP BRKT	4
39	598647	-	DD OPEN/CLOSE BADGE	1
40	599099	-	RAKAIA DAMPER INSTRUCTION LABEL	1
42	524038	-	RIVET; 73 STST 4-3 (S/S)	6
48	523031	-	WASHER; FLAT M6 ZP	4
49	521060	-	SCREW; M6X35 HEX ZP	4
50	999007	-	RAKAIA COMPLETE DOOR	1
51	999094	V02	RAKAIA PEDESTAL SUB ASSEMBLY ASSY	1
52	992295	V02	R3000 PED ASH DRAWER SUP	1
53	999091	V02	RAKAIA BASE HEATSHIELD	1
54	983248	V02	R5000 ASH DRAWER ASSY	1

*Optional Spare Kit

When ordering PLEASE QUOTE PART ID, MODEL Number & DESCRIPTIONS, NOT ITEM Number
determining left hand side from viewing position

FIREBOX 999399 (NO ASH) BAFFLE, CATALYST, AIRTUBE, BRICKS



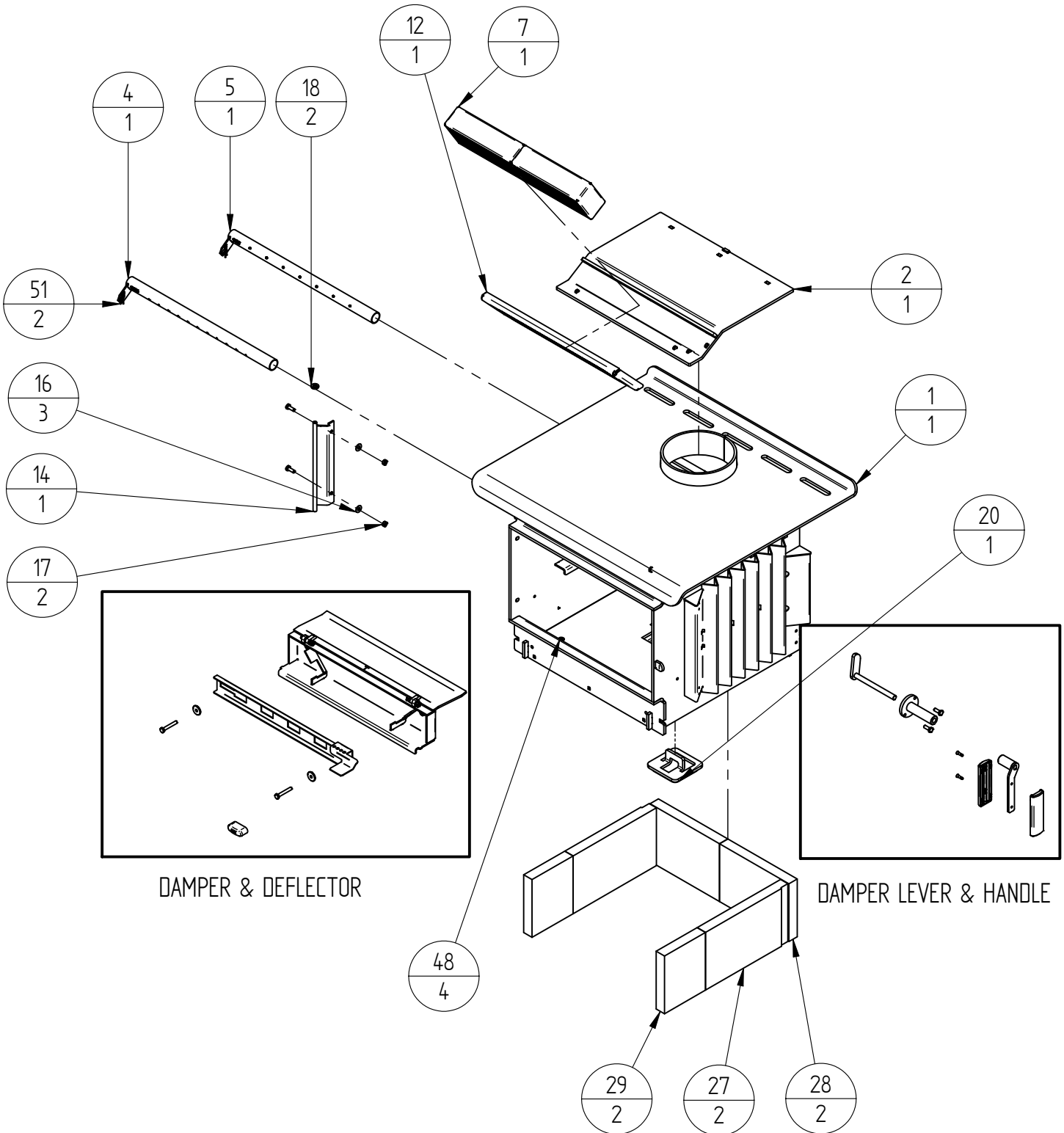
When ordering PLEASE QUOTE PART ID, MODEL Number & DESCRIPTIONS, NOT ITEM Number
determining left hand side from viewing position

FIREBOX 999399 (NO ASH) BAFFLE, CATALYST, AIRTUBE, BRICKS

Item Number	File Name (no extension)	Finish	Title	Quantity
1	999399	-	WAIMAKARIRI W/F 2020 F/B ASSEMBLY	1
2	999313	V02	WAIMAKARIR BAFFLE SUB ASSY	1
4	999326	-	WAIMAKARIRI AIRTUBE FRONT	1
5	999327	-	WAIMAKARIRI REAR AIRTUBE	1
7	999341	-	CATALYTIC CONVERTER WELDED SUB ASSY	1
11	999340	-	WAIMAKARIRI FLAME DEFUSER	1
14	992208	-	R3000 HINGE ASSEMBLY	1
16	523036	-	WASHER; FLAT 1/4"X5/8" BLK	3
17	522107	-	NUT; HEX STD M6 BLK	2
18	523018	-	WASHER; FLAT 5/16"X5/8" X16G BLK	2
24	MIC00354	-	MIC BRICK	2
25	599063	-	RAKAIA FRONT BRICK	2
26	599363	-	WAIMAKARIRI FRONT BRICK	2
47	526101	-	CLIP; R-CLIP 1.8 DIA ST	2

*Optional Spare Kit

FIREBOX 999301 (ASH), BAFFLE, CATALYST, AIRTUBE, BRICKS



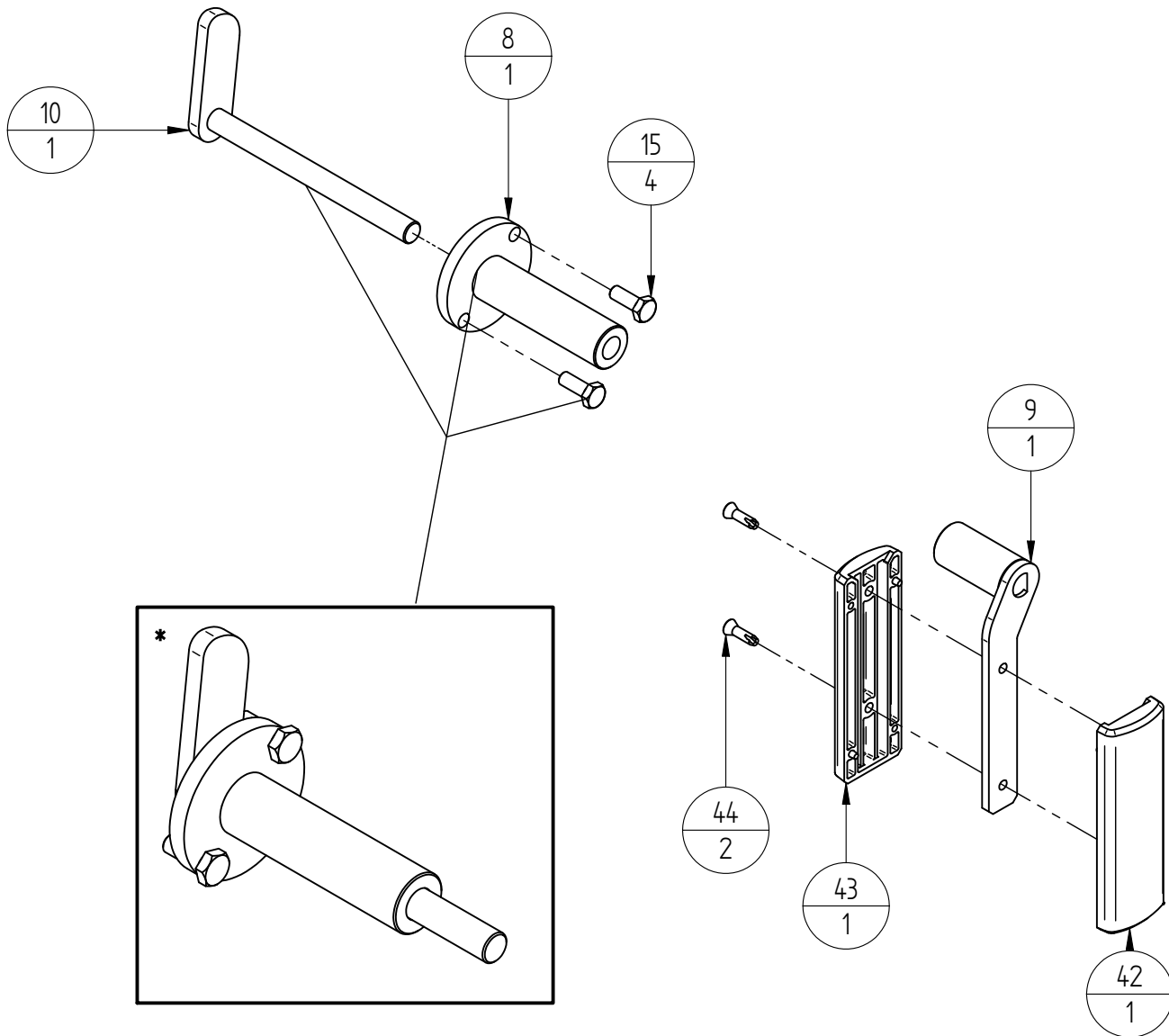
When ordering PLEASE QUOTE PART ID, MODEL Number & DESCRIPTIONS, NOT ITEM Number
determining left hand side from viewing position

FIREBOX 999301 (ASH), BAFFLE, CATALYST, AIRTUBE, BRICKS

Item Number	File Name (no extension)	FINISH	Title	Quantity
1	999301	-	WAIMAKARIRI W/F 2020 F/B ASSEMBLY ASH	1
12	999340	-	WAIMAKARIRI FLAME DEFUSER	1
14	992208	-	R3000 HINGE ASSEMBLY	1
16	523036	-	WASHER; FLAT 1/4"X5/8" BLK	3
17	522107	-	NUT; HEX STD M6 BLK	2
18	523018	-	WASHER; FLAT 5/16"X5/8" X16G BLK	2
2	999313	V02	WAIMAKARIR BAFFLE SUB ASSY	1
20	983019	-	PLUG SHEET METAL	1
27	MIC00354	-	MIC BRICK	2
28	599063	-	RAKAIA FRONT BRICK	2
29	599363	-	WAIMAKARIRI FRONT BRICK	2
4	999326	-	WAIMAKARIRI AIRTUBE FRONT	1
48	523031	-	WASHER; FLAT M6 ZP	4
5	999327	-	WAIMAKARIRI REAR AIRTUBE	1
51	526101	-	CLIP; R-CLIP 1.8 DIA ST	2
7	999341	-	CATALYTIC CONVERTER WELDED SUB ASSY	1

*Optional Spare Kit

DAMPER LEVER & HANDLE

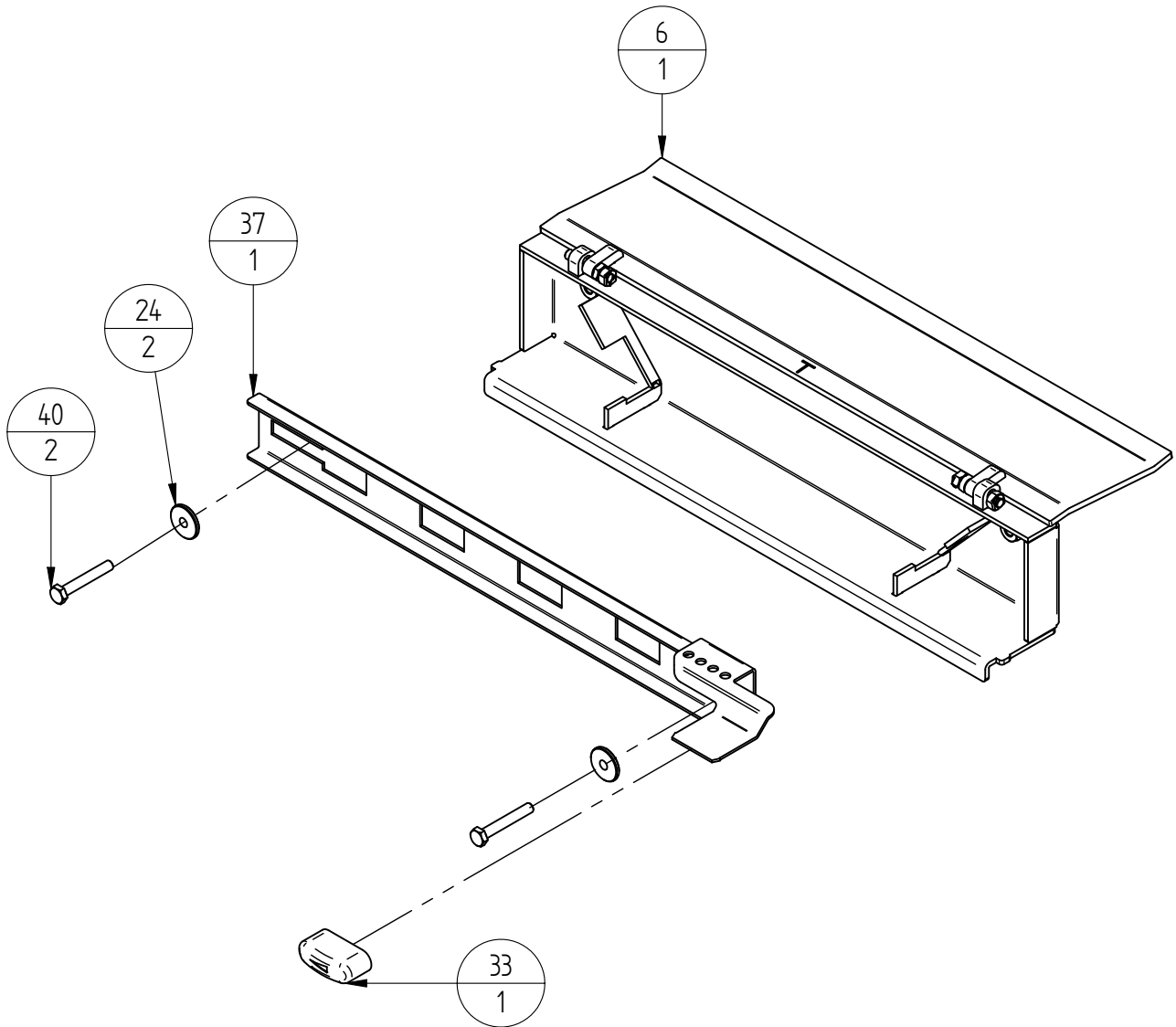


*Optional Spare Kit

Item Number	File Name (no extension)	Finish	Title	Quantity
10	999341	-	WAIMAKARIRI WELDED DAMPER LEVER ASSY	1
15	521076	-	SCREW; M6X16 HEX ZP	4
42	593598	-	I3000 DOOR HANDLE FRONT RH PLASTIC	1
43	593599	-	DOOR HANDLE REAR L/H PLASTIC	1
44	521650	-	SCREW; 8GX5/8" S/S TYPE 25 C/S POZI	2
57	799341	V02	WAIMAKARIRI DAMPER LEVER, BUSH, SCREWS	1
8	* 999319	V02	WAIMAKARIRI DAMPER BUSH ASSEMBLY	1
9	999089	V02	RAKAIA HANDLE WELDED SUB ASSY	1

When ordering PLEASE QUOTE PART ID, MODEL NUMBER & DESCRIPTIONS, NOT ITEM NUMBER
determining left hand side from viewing position

DAMPER, DEFLECTOR, AIRSLIDE

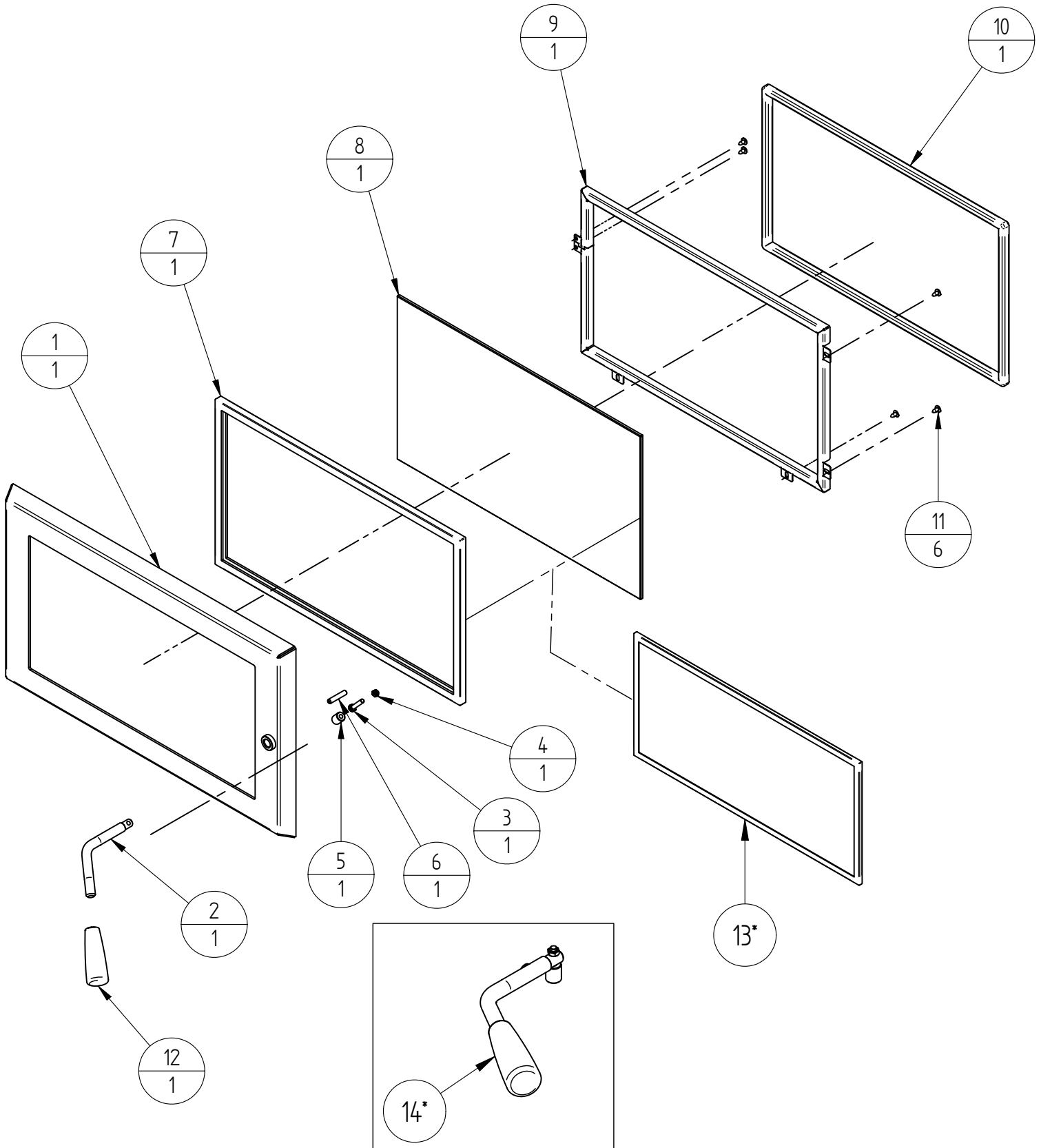


***Optional Spare Kit**

Item Number	File Name	Finish	Title	Quantity
6	* 999303	V02	WAIMAKARIRI DEFLECTOR DAMPER SUB ASSY	1
24	MIC00083	-	LOGAIRE METRO AIR SLIDE SPACER	2
33	593568	-	AIR SLIDE KNOB PUSH ON	1
37	999365	V02	WAIMAKARIRI AIRSLIDE	1
40	521077	-	SCREW; M6X40 HEX ZP	2

When ordering PLEASE QUOTE PART ID, MODEL Number & DESCRIPTIONS, NOT ITEM Number
determining left hand side from viewing position

DOOR ASSEMBLY



When ordering PLEASE QUOTE PART ID, MODEL Number & DESCRIPTIONS, NOT ITEM Number
determining left hand side from viewing position

DOOR ASSEMBLY						
Item Number	File Name	Model (s)			Title	Quantity
		999903	999904	99905		
1	992174	V02	V02	V02	R3000 WELDED DOOR ASSEMBLY	1
2	KRR00373	-	-	-	KRR DOOR LEVER	1
3	521805	-	-	-	SCREW; CAP M5X25 ALLEN BLK	1
4	522901	-	-	-	NUT; BINX M5 ZP	1
5	PYR00461	-	-	-	PYR HANDLE ROLLER	1
6	521706	-	-	-	SCREW; GRUB M6X25 ALLEN BLK	1
7	C25MMLT	-	-	-		1
8	592175	-	-	-	R3000 GLASS	1.45 MTR
9	992182	-	-	-	R3000 GLASS RETAINER	1
10	C14MMDR	-	-	-	R3000 DOOR ROPE	1.45 MTR
11	521627	-	-	-	SCREW; S/T 8GX3/8" MUSH FLANGE POZI BLK	6
12	PYR00376	-	-	-	PYR DOOR HANDLE	1
13*	792175	-	-	-	R3000 GLASS/TAPE SPARE KIT	1
14*	PYREDH	-	-	-	PYRE DOOR HANDLE ASSEMBLY	1

*Optional Sale Kit

NOT ILLUSTRATED						
Item	Part ID				Descriptions	Qty
		999903	999904	999905		
1	599386	-	-	-	WAIMAKARIRI OWNERS MANUAL	1
2	951515	-	-	-	CEILING PLATE 150MM 345X345 S/S	1
3	999077	-	-	-	ARRESTOR PLATE REMOVAL TOOL	1

SURFACE FINISH CODES FOR PANELS					
VHT PAINT(Very High Temp)			POWDER COAT		
V02	P-000022	METALLIC BLACK	P02	MATT BLACK	
			P08	MANNEX BLACK	

When ordering PLEASE QUOTE PART ID, MODEL Number & DESCRIPTIONS, NOT ITEM Number
determining left hand side from viewing position