

# Masport<sup>®</sup> Heating

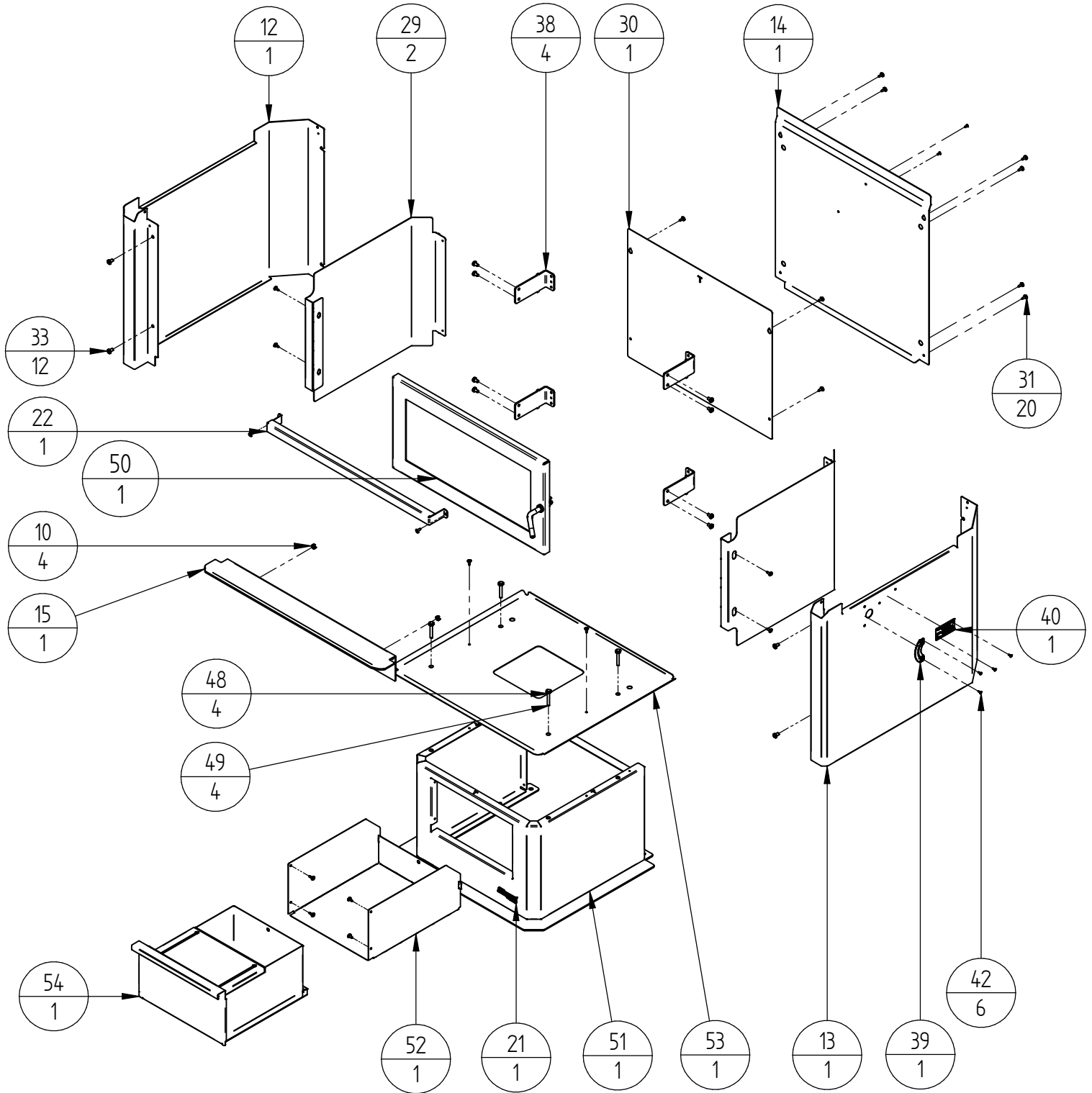
## FREESTANDING ULEB WOOD FIRES

### RAKAIA - NEW ZEALAND

| Item No. | MARKET | FUEL TYPE | FINISHING                | YEAR     | CATALYST |
|----------|--------|-----------|--------------------------|----------|----------|
| 999901   | NZ     | SOFTWOOD  | METALLIC BLACK VHT PAINT | NOV-2019 | YES      |



# DOOR, PANELS, PEDESTAL, ASH DRAWER



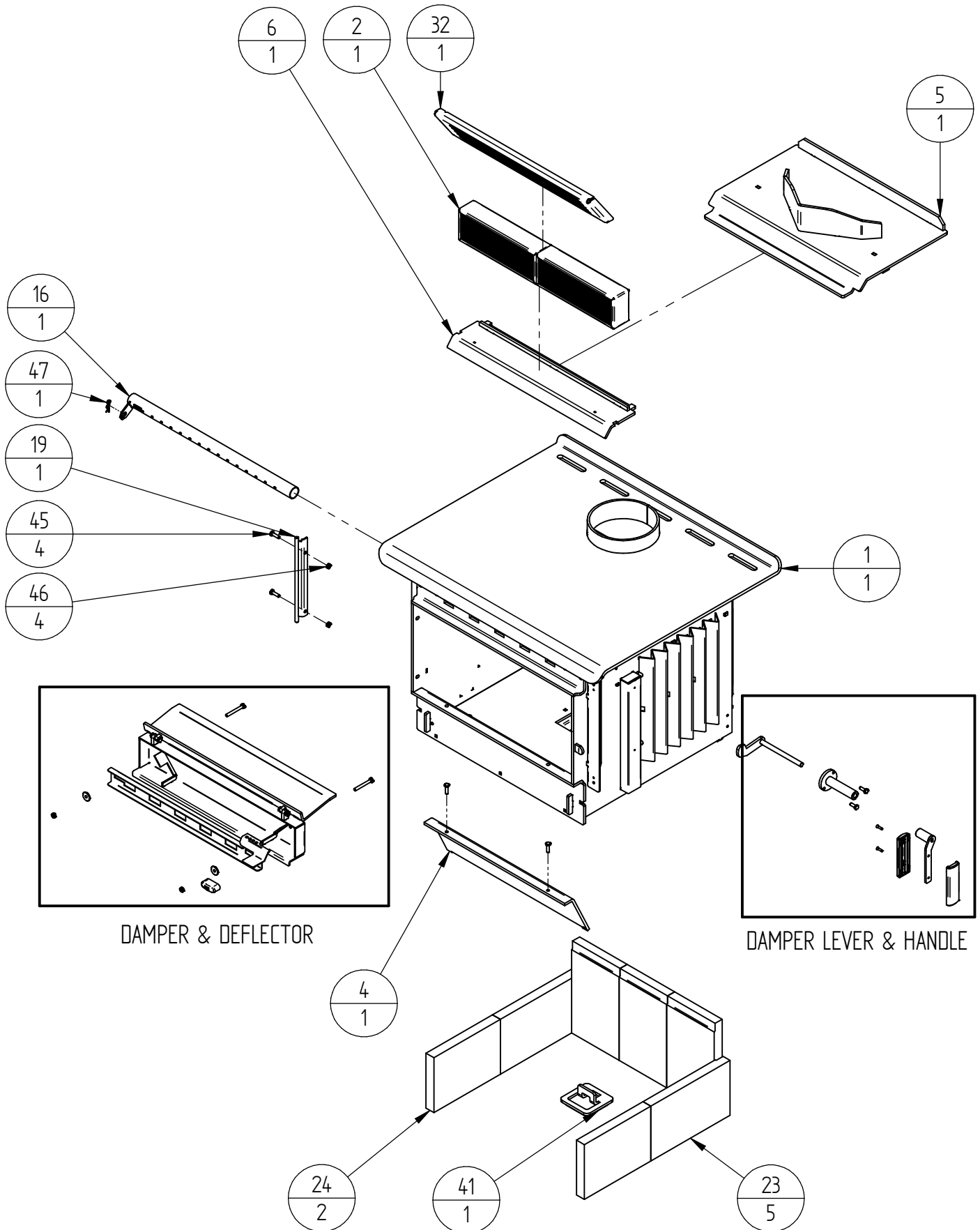
When ordering PLEASE QUOTE PART ID, MODEL Number & DESCRIPTIONS, NOT ITEM Number  
determining left hand side from viewing position

| Item Number | File Name (no extension) | Finish | Title                                   | Quantity |
|-------------|--------------------------|--------|---|----------|
| 10          | 522117                   | -      | NUT; HEX STD M6 ZP                      | 4        |
| 12          | 999053                   | V02    | LH SIDE PANEL                           | 1        |
| 13          | 999054                   | V02    | RH SIDE PANEL                           | 1        |
| 14          | 999055                   | V02    | RAKAIA REAR PANEL                       | 1        |
| 15          | 999062                   | V02    | RAKAIA ASH SHELF PEM STUDS INSERTED     | 1        |
| 21          | 587835                   | -      | BADGE MASPORT HEATING                   | 1        |
| 22          | 999073                   | V02    | RAKAIA AIRSLIDE LOUVER                  | 1        |
| 29          | 999075                   | -      | RAKAIA H/S PANEL SIDES                  | 2        |
| 30          | 999076                   | -      | RAKAIA REAR H/S PANEL                   | 1        |
| 31          | 521645                   | -      | SCREW; S/T 8GX1/2" MUSH FLANGE POZI BLK | 20       |
| 33          | 521045                   | -      | SCREW; M6X10 PAN POZI BLK               | 12       |
| 38          | 999039                   | -      | RAKAIA REAR PANEL SUP BRKT              | 4        |
| 39          | 598647                   | -      | DD OPEN/CLOSE BADGE                     | 1        |
| 40          | 599099                   | -      | RAKAIA DAMPER INSTRUCTION LABEL         | 1        |
| 42          | 524038                   | -      | RIVET; 73 STST 4-3 (S/S)                | 6        |
| 48          | 523031                   | -      | WASHER; FLAT M6 ZP                      | 4        |
| 49          | 521060                   | -      | SCREW; M6X35 HEX ZP                     | 4        |
| 50          | 999007                   | -      | RAKAIA COMPLETE DOOR                    | 1        |
| 51          | 999094                   | V02    | RAKAIA PEDESTAL SUB ASSEMBLY ASSY       | 1        |
| 52          | 992295                   | V02    | R3000 PED ASH DRAWER SUP                | 1        |
| 53          | 999091                   | V02    | RAKAIA BASE HEATSHIELD                  | 1        |
| 54          | 983248                   | V02    | R5000 ASH DRAWER ASSY                   | 1        |

\*Optional Spare Kit

When ordering PLEASE QUOTE PART ID, MODEL Number & DESCRIPTIONS, NOT ITEM Number  
determining left hand side from viewing position

# FIREBOX, BAFFLE, CATALYST, AIRTUBE, BRICKS

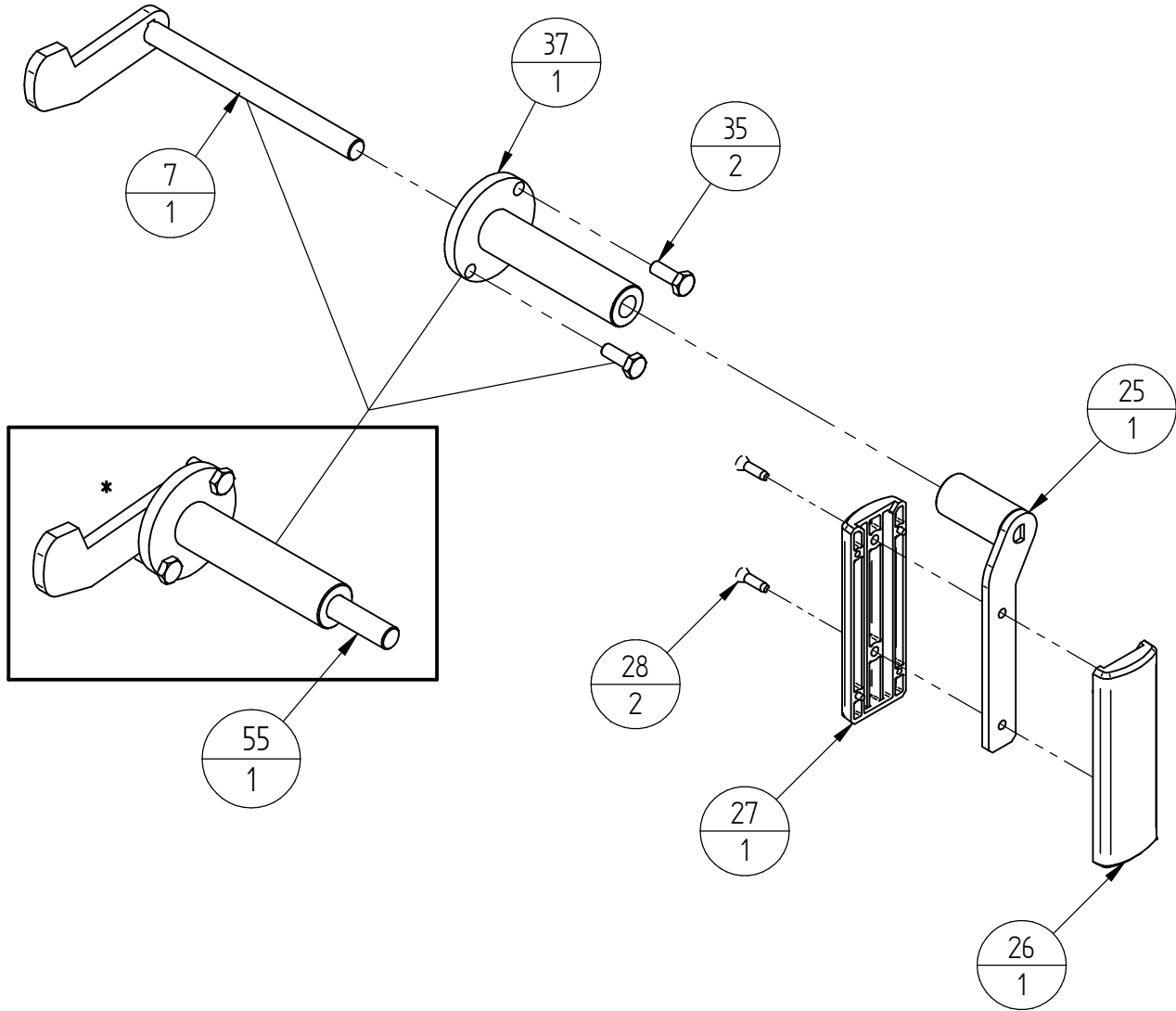


When ordering PLEASE QUOTE PART ID, MODEL Number & DESCRIPTIONS, NOT ITEM Number  
determining left hand side from viewing position

| Item Number | File Name | Finish | Title                               | Quantity |
|-------------|-----------|--------|-------------------------------------|----------|
| 1           | 999100    | -      | RAKAIA FIREBOX ASH SUB ASSY         | 1        |
| 2           | 999041    | -      | CATALYTIC CONVERTER WELDED SUB ASSY | 1        |
| 4           | 983240    | -      | R5000 F/BOX LOWER PLATE             | 1        |
| 5           | * 999013  | V02    | BAFFLE MAIN SUB ASSY                | 1        |
| 6           | * 999012  | V02    | BAFFLE FRONT SUB ASSY               | 1        |
| 16          | 999098    | -      | RAKAIA AIR TUBE ASSEMBLY            | 1        |
| 19          | MICAC190  | -      | MIC DOOR HINGE ASSEMBLY             | 1        |
| 23          | MIC00354  | -      | MIC BRICK                           | 5        |
| 24          | 599063    | -      | RAKAIA FRONT BRICK                  | 2        |
| 32          | 999040    | -      | RAKAIA FLAME DEFUSER                | 1        |
| 41          | 983019    | -      | PLUG SHEET METAL                    | 1        |
| 45          | 521054    | -      | SCREW; M6X20 HEX ZP                 | 4        |
| 46          | 522107    | -      | NUT; HEX STD M6 BLK                 | 4        |
| 47          | 526101    | -      | CLIP; R-CLIP 1.8 DIA ST             | 1        |

\*Optional Spare Kit

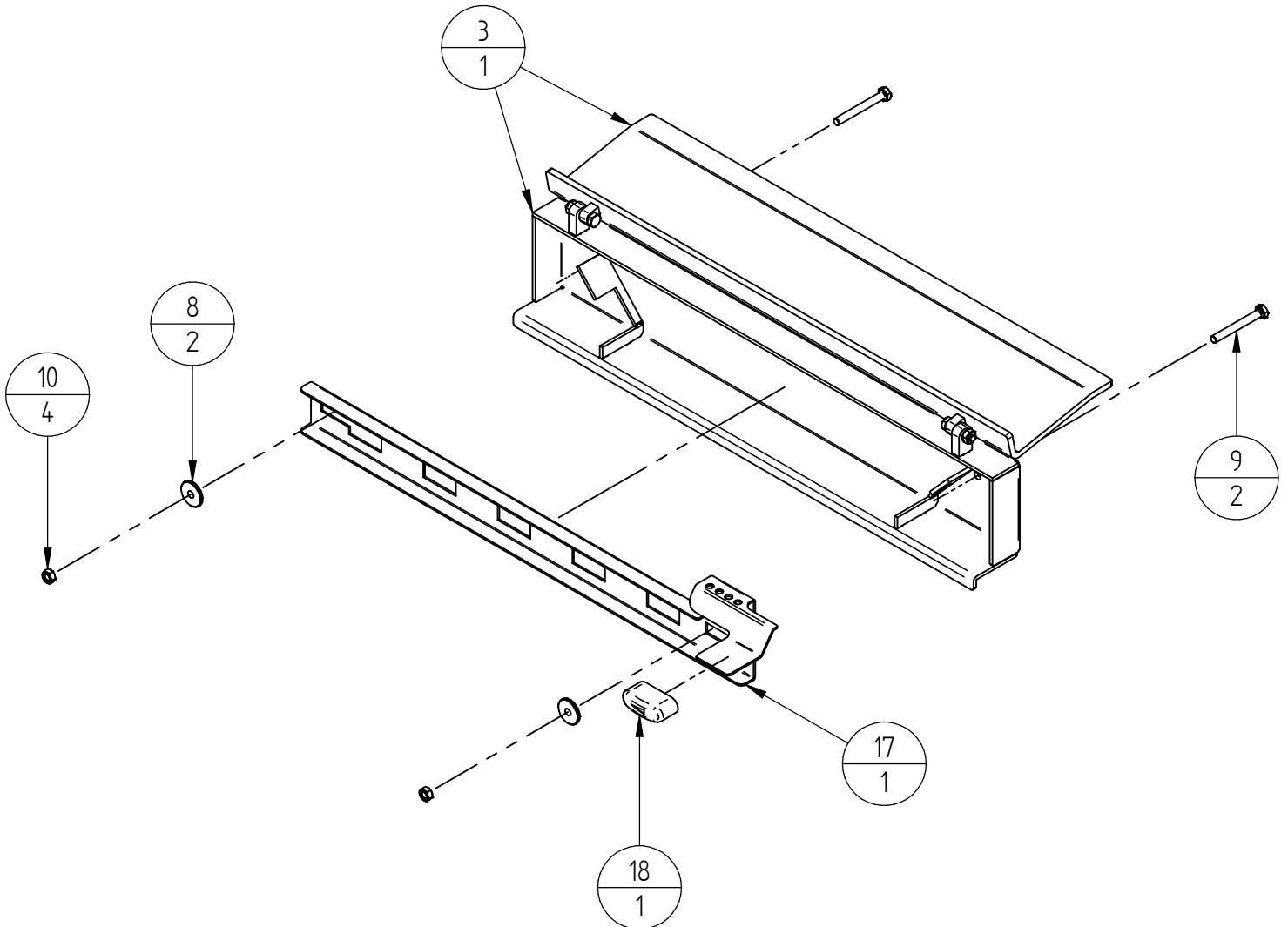
# DAMPER LEVER & HANDLE



\*Optional Spare Kit

| Item Number | File Name | Finish | Title                               | Quantity |
|-------------|-----------|--------|-------------------------------------|----------|
| 25          | 999089    | -      | RAKAIA HANDLE WELDED SUB ASSY       | 1        |
| 26          | 593598    | -      | I3000 DOOR HANDLE FRONT RH PLASTIC  | 1        |
| 27          | 593599    | -      | DOOR HANDLE REAR L/H PLASTIC        | 1        |
| 28          | 521650    | -      | SCREW; 8GX5/8" S/S TYPE 25 C/S POZI | 2        |
| 35          | 521076    | -      | SCREW; M6X16 HEX ZP                 | 2        |
| 37          | 999019    | V02    | DAMPER BUSH ASSEMBLY                | 1        |
| 55          | * 799005  | V02    | RAKAIA DAMPER LEVER, BUSH, SCREWS   | 1        |
| 7           | 999005    | V02    | RAKAIA WELDED DAMPER LEVER ASSY     | 1        |

## DAMPER, DEFLECTOR, AIRSLIDE

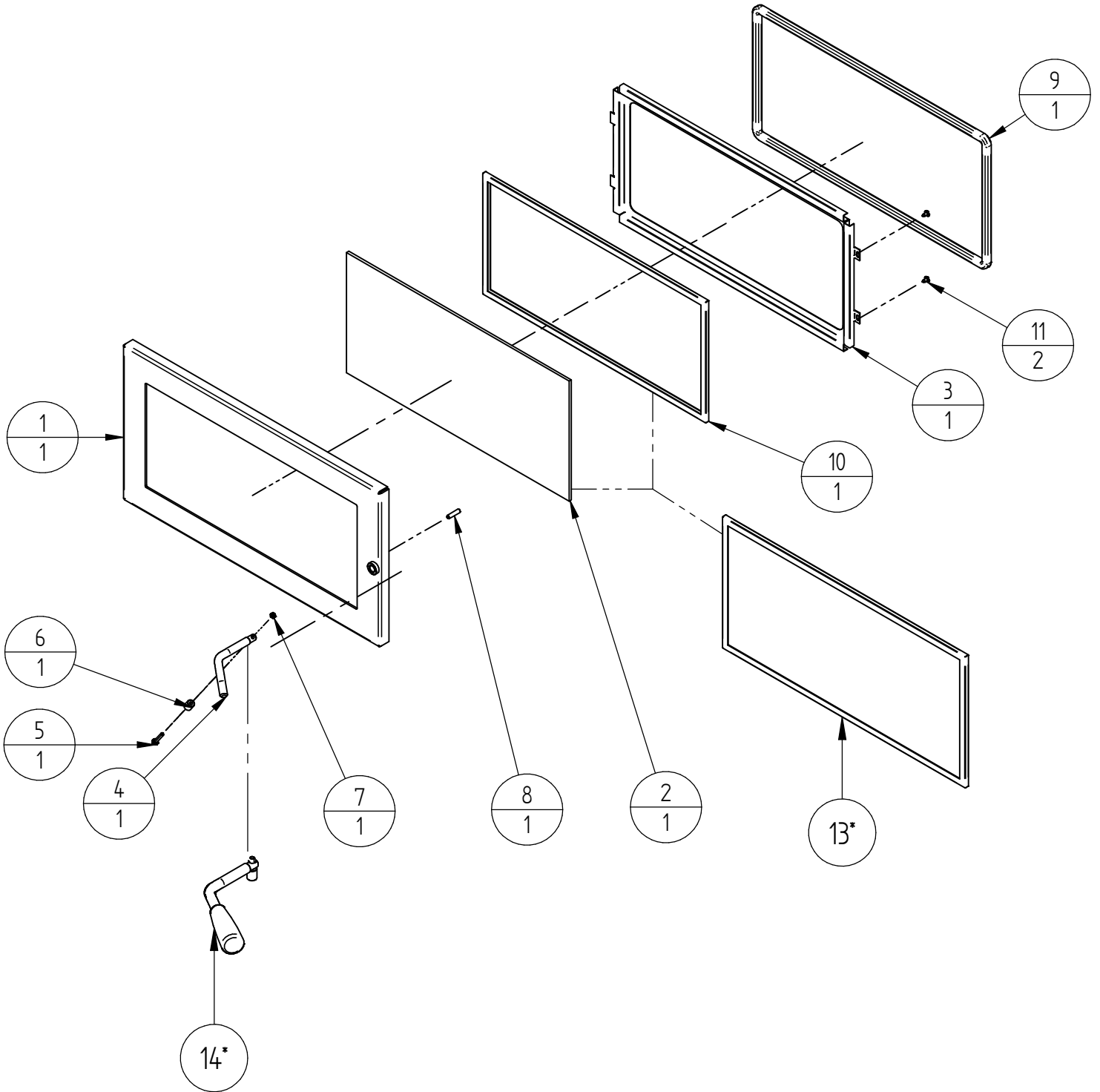


**\*Optional Spare Kit**

| Item Number | File Name | Finish | Title                            | Quantity |
|-------------|-----------|--------|----------------------------------|----------|
| 10          | 522117    | -      | NUT; HEX STD M6 ZP               | 4        |
| 17          | 999065    | V02    | RAKAIA AIRSLIDE NZ               | 1        |
| 18          | 593568    | -      | AIR SLIDE KNOB PUSH ON           | 1        |
| 3           | * 999003  | V02    | RAKAIA DEFLECTOR DAMPER SUB ASSY | 1        |
| 8           | MIC00083  | -      | LOGAIRE METRO AIR SLIDE SPACER   | 2        |
| 9           | 521061    | -      | SCREW; M6X50 HEX ZP              | 2        |

When ordering PLEASE QUOTE PART ID, MODEL Number & DESCRIPTIONS, NOT ITEM Number  
determining left hand side from viewing position

# DOOR ASSEMBLY



When ordering PLEASE QUOTE PART ID, MODEL Number & DESCRIPTIONS, NOT ITEM Number  
determining left hand side from viewing position



| DOOR ASSEMBLY – 999007 |               |        |   |          |
|------------------------|---------------|--------|---|----------|
| Item Number            | File Name     |        |   | Quantity |
|                        |               | Finish | Title                                   |          |
| 1                      | 999006        | V02    | RAKAIA WELDED DOOR SUB                  | 1        |
| 10                     | C25MMLT_I3000 | -      | LADDER TAPE 25x3x50m ROLL (MTR)         | 1        |
| 11                     | 521627        | -      | SCREW; S/T 8GX3/8" MUSH FLANGE POZI BLK | 2        |
| 13                     | * PFS95204    | -      | PFS GLASS/TAPE SPARE KIT                |          |
| 14                     | * PYREDH      | -      | PYR DOOR HANDLE KIT                     | 1        |
| 2                      | PFS00204      | -      | PFS GLASS                               | 1        |
| 3                      | PFS00034      | -      | PFS REAL SIZE GLASS RETAINER            | 1        |
| 4                      | KRR00373      | -      | KRR DOOR LEVER                          | 1        |
| 5                      | 521805        | -      | SCREW; CAP M5X25 ALLEN BLK              | 1        |
| 6                      | PYR00461      | -      | PYR HANDLE ROLLER                       | 1        |
| 7                      | 522901        | -      | NUT; BINX M5 ZP                         | 1        |
| 8                      | 521704        | -      | SCREW; GRUB M6X25 ALLEN BLK             | 1        |
| 9                      | C14MMDR_R5000 | -      | DOOR ROPE 16MM X 50m ROLL (MTR)         | 1        |

\*Optional Spare Kit

| NOT ILLUSTRATED |         |   |   |   |                                 |     |
|-----------------|---------|---|---|---|---------------------------------|-----|
| Item            | Part ID |   |   |   | Descriptions                    | Qty |
|                 |         |   |   |   |                                 |     |
| 3               | 599086  | - | - | - | RAKAIA DATA SHEET               | 1   |
| 5               | 951515  | - | - | - | CEILING PLATE 150MM 345X345 S/S | 1   |

| SURFACE FINISH CODES FOR PANELS |          |                |             |              |  |
|---------------------------------|----------|----------------|-------------|--------------|--|
| VHT PAINT(Very High Temp)       |          |                | POWDER COAT |              |  |
| V02                             | P-000022 | METALLIC BLACK | P02         | MATT BLACK   |  |
|                                 |          |                | P08         | MANNEX BLACK |  |

When ordering PLEASE QUOTE PART ID, MODEL Number & DESCRIPTIONS, NOT ITEM Number  
determining left hand side from viewing position