

Masport[®] Heating

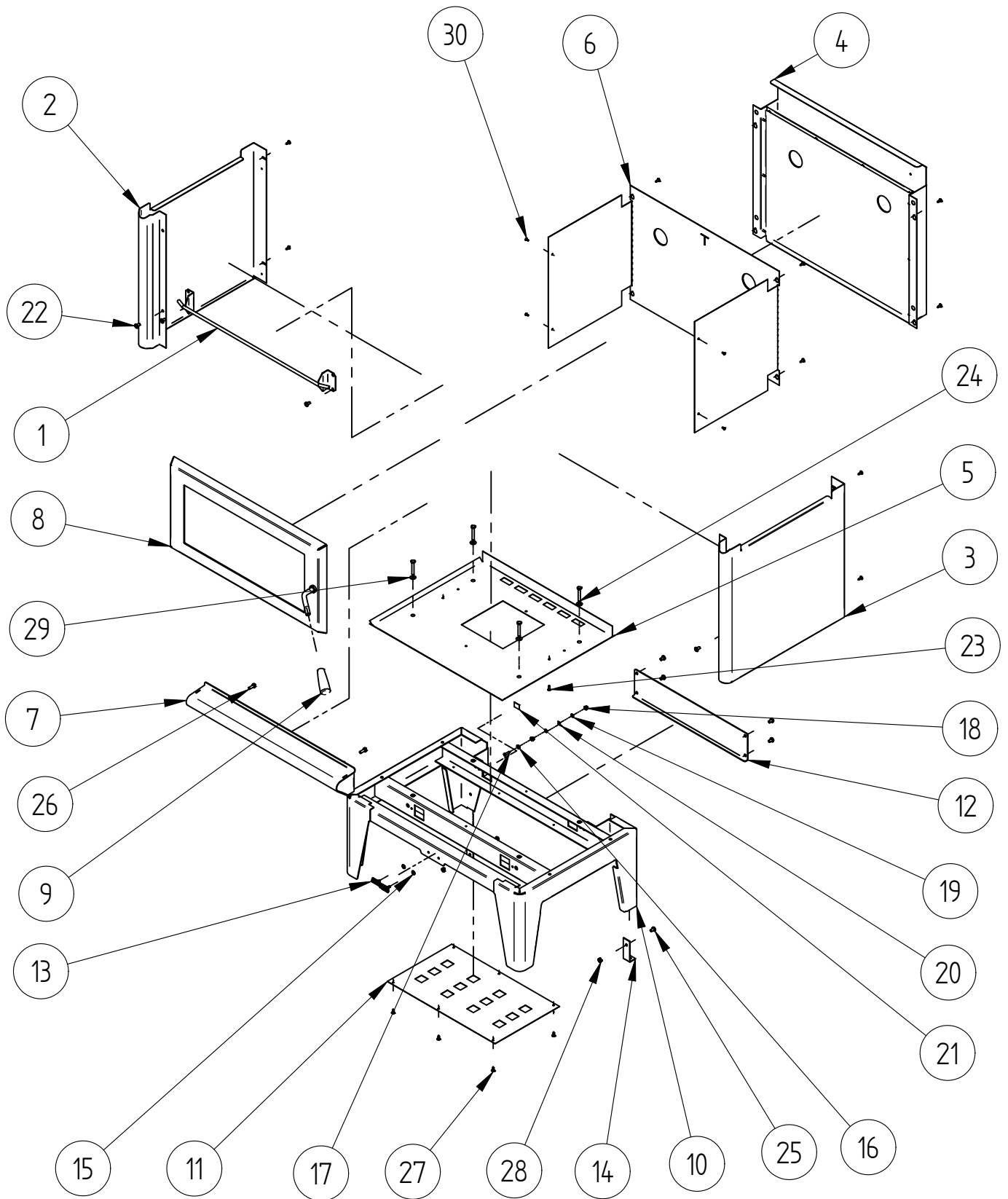
FREESTANDING WOOD FIRES

R5000 LEG - NEW ZEALAND

Item No.	MARKET	FUEL TYPE	FINISHING	YEAR	FAN
983914	NZ	SOFTWOOD	Metallic Black VHT Paint	Dec-2012	Optional



PANELS, DOOR AND PEDESTAL

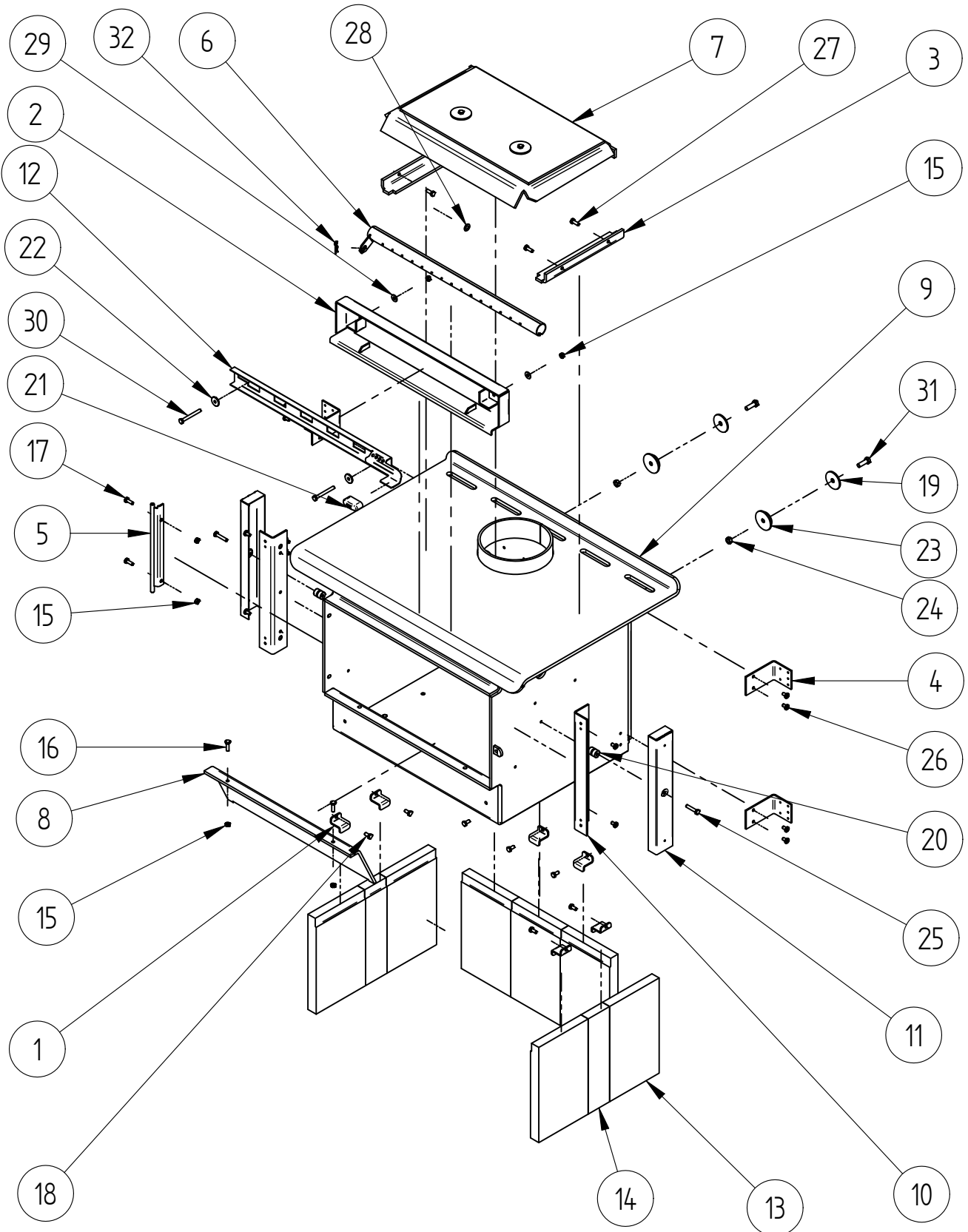


When ordering PLEASE QUOTE PART ID, MODEL Number & DESCRIPTIONS, NOT ITEM Number
determining left hand side from viewing position

PANELS, DOOR AND PEDESTAL				
Item	Part ID	Models	Descriptions	Qty
		983913		
1	983276	V02	R5000 LOUVER ASSEMBLY	1
2	983206	V02	R5000 R/H SIDE PANEL	1
3	983207	V02	R5000 R/H SIDE PANEL	1
4	983232	V02	R5000 REAR PANEL ASSY	1
5	983208	-	R5000 BASE H/S	1
6	983210	-	R5000 HEAT SHIELD WRAP	1
7	983217	V02	R5000 ASH SHELF	1
8	983231	-	R5000 DOOR ASSY COMPLETE	1
9	PYR00376	-	PYR DOOR HANDLE	1
10	983242	V02	R5000 LEGS ASSEMBLY	1
11	983241	-	R5000 LEGS ASH DUMP SHIELD	1
12	983277	V02	R5000 LEGS REAR BRACE	1
13	587835	-	BADGE MASPORT HEATING	1
14	MIR00179	-	MIR SIEMIC BRACKET	2
15	526009	-	CLIP; STARLOCK M4	2
16	523205	-	WASHER; STAR M4 EXT	1
17	521015	-	SCREW; M4X16 PAN SLOT ZP	1
18	522800	-	NUT; SERRATED FLANGE M4 ZP	2
19	523028	-	WASHER; FLAT M5 BRS	2
20	596602	-	TAB 6.3mm X 45DEG -4.1mm	1
21	585631	-	DECAL EARTH	1
22	521045	-	SCREW; M6X10 PAN POZI BLK	4
23	524006	-	RIVET; 73 AS 5-5	2
24	521077	-	SCREW; M6X40 HEX ZP	4
25	521046	-	SCREW; M6X10 PAN POZI ZP	6
26	521076	-	SCREW; M6X16 HEX ZP	2
27	521645	-	SCREW; S/T 8GX1/2" MUSH FLANGE POZI BLK	18
28	522117	-	NUT; HEX STD M6 ZP	2
29	523036	-	WASHER; FLAT 1/4"X5/8" BLK	4
30	524010	-	RIVET; 73 AS 4-3 LONG	4

When ordering PLEASE QUOTE PART ID, MODEL Number & DESCRIPTIONS, NOT ITEM Number
determining left hand side from viewing position

AIRSLIDE, BAFFLE, BRICKS AND FIREBOX

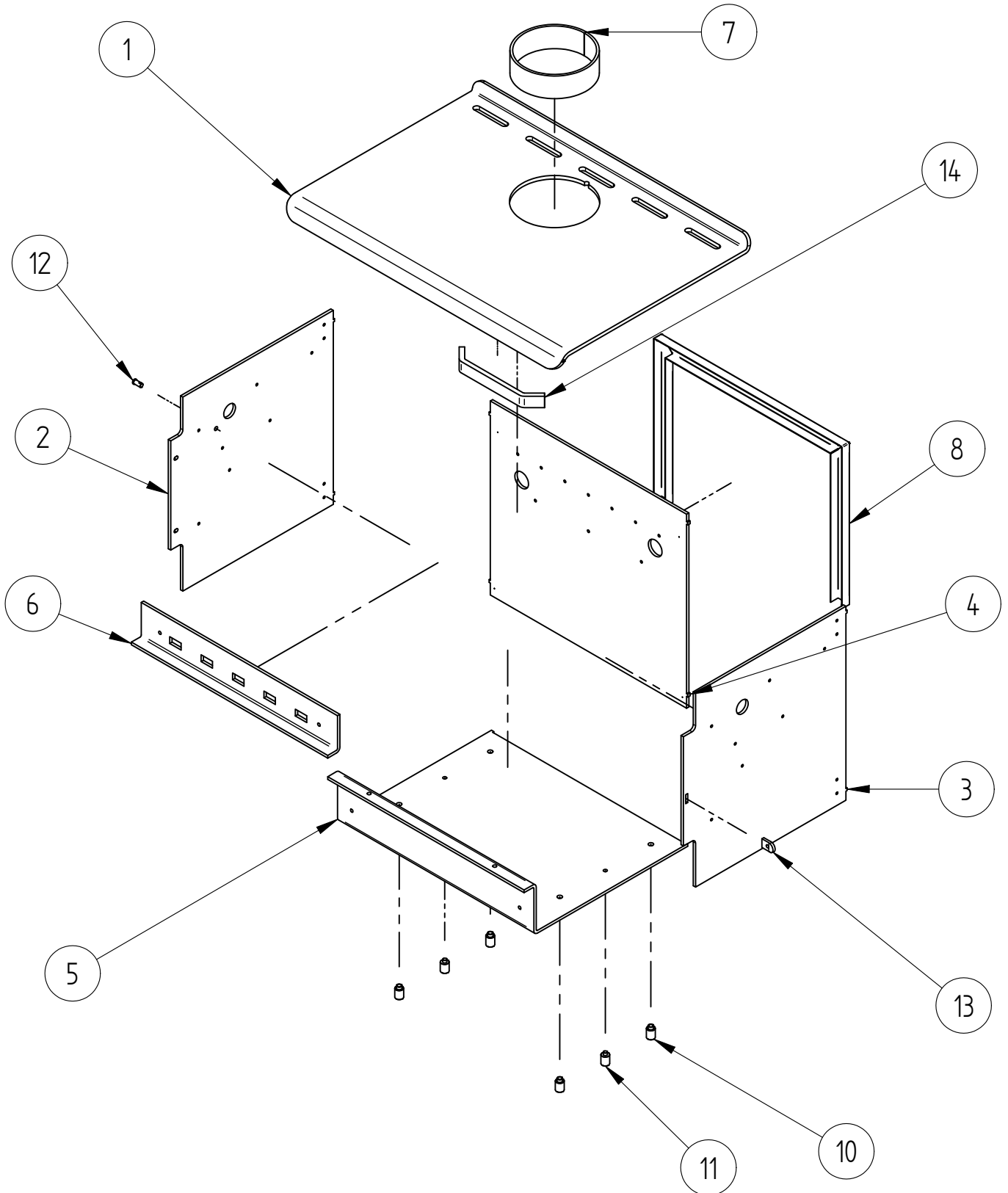


When ordering PLEASE QUOTE PART ID, MODEL Number & DESCRIPTIONS, NOT ITEM Number
determining left hand side from viewing position

AIRSLIDE, BAFFLE, BRICKS AND FIREBOX				
Item	Part ID	Models	Descriptions	Qty
		983911		
1	HBA00118	-	HBA BRICK RETAINER	7
2	983222	-	AIR DEFLECTOR ASSY	1
3	983227	-	R5000 BAFFLE SUPPORT	2
4	KRR00130	-	KRR REAR BODY MOUNT BRKT	4
5	MICAC190	-	MIC DOOR HINGE ASSEMBLY	1
6	983239	-	TUBE-SEC AIR ASSY,21 X 4.0mm DIA R5000 S/S	1
7	983224	-	R5000 BAFFLE FINAL ASSY	1
8	983240	-	R5000 F/BOX LOWER PLATE	1
9	983284	-	R5000 FIREBOX LEGS ASSY NZ	1
10	MIR00183	-	MIR DOOR RIDDLE	2
11	MIC00123	-	MIC SEC AIR CHANNEL	2
12	983221	-	R5000 AIRSLIDE NZ	1
13	MIC00354	-	MIC BRICK	7
14	MIC00355	-	MIC BRICK HALF	2
15	522107	-	NUT; HEX STD M6 BLK	6
16	521054	-	SCREW; M6X20 HEX ZP	2
17	521052	-	SCREW; M6X16 HEX BLK	2
18	521075	-	SCREW; M6X12 HEX ZP	7
19	523035	-	WASHER; FLAT M8X22X3 HVY ZP	2
20	HBA00129	-	HBA AIR DEFLECTOR SPACER	2
21	593568	-	AIR SLIDE KNOB PUSH ON	1
22	MIC00083	-	LOGAIRE METRO AIR SLIDE SPACER	2
23	684089	-	PLUG, 3/4DIAPITTS/FATSO/WFIRE	2
24	522118	-	NUT; HEX STD M8 ZP	2
25	521059	-	SCREW; M6X30 HEX ZP	2
26	521046	-	SCREW; M6X10 PAN POZI ZP	12
27	521076	-	SCREW; M6X16 HEX ZP	4
28	523018	-	WASHER; FLAT 5/16"X5/8" BLK	1
29	523036	-	WASHER; FLAT 1/4"X5/8" BLK	2
30	520002	-	BOLT; M6X55 HEX ZP	2
31	521067	-	SCREW; M8X25 HEX ZP	2
32	526101	-	CLIP; R-CLIP 1.8 DIA ST	1

When ordering PLEASE QUOTE PART ID, MODEL Number & DESCRIPTIONS, NOT ITEM Number
determining left hand side from viewing position

FIREBOX DETAILS

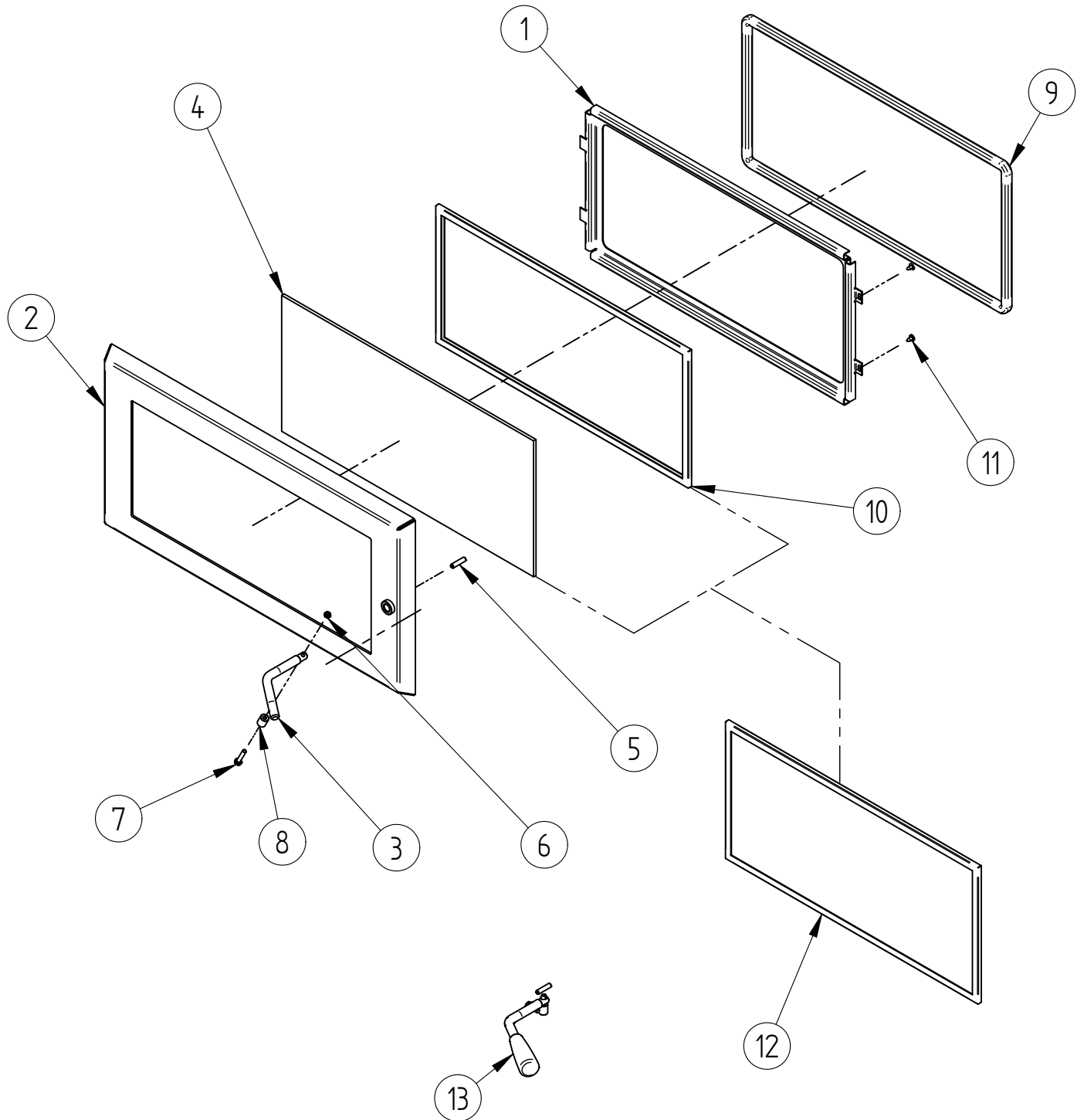


When ordering PLEASE QUOTE PART ID, MODEL Number & DESCRIPTIONS, NOT ITEM Number
determining left hand side from viewing position

FIRE BOX : 983283				
Item	Part ID	Models	Descriptions	Qty
1	983202	-	R5000 8mm RADIANT COOK TOP	1
2	983261	-	R5000 F/B LEFT HAND PANEL	1
3	983262	-	R5000 - F/B RIGHT HAND PANEL	1
4	983263	-	R5000 F/B REAR PANEL	1
5	983234	-	R5000 LEGS F/B BOTTOM NZ	1
6	983205	-	R5000 F/B FRONT TOP PANEL	1
7	MET00120	-	SPIGOT	1
8	983233	-	R5000 REAR F/B CHANNEL	1
10	MET00429	-	FIREBOX BUSH - SPIGOTED	4
11	ATN00129	-	HEAT SHIELD SPACER	2
12	MIC00137	-	MIC AIRBAR PIN	1
13	983049	-	TAB-DOOR LATCH, OSB1600	1
14	987843	-	DEFLECTOR-FLUE, F/B, TALISMAN	1

When ordering PLEASE QUOTE PART ID, MODEL Number & DESCRIPTIONS, NOT ITEM Number
determining left hand side from viewing position

DOOR ASSEMBLY



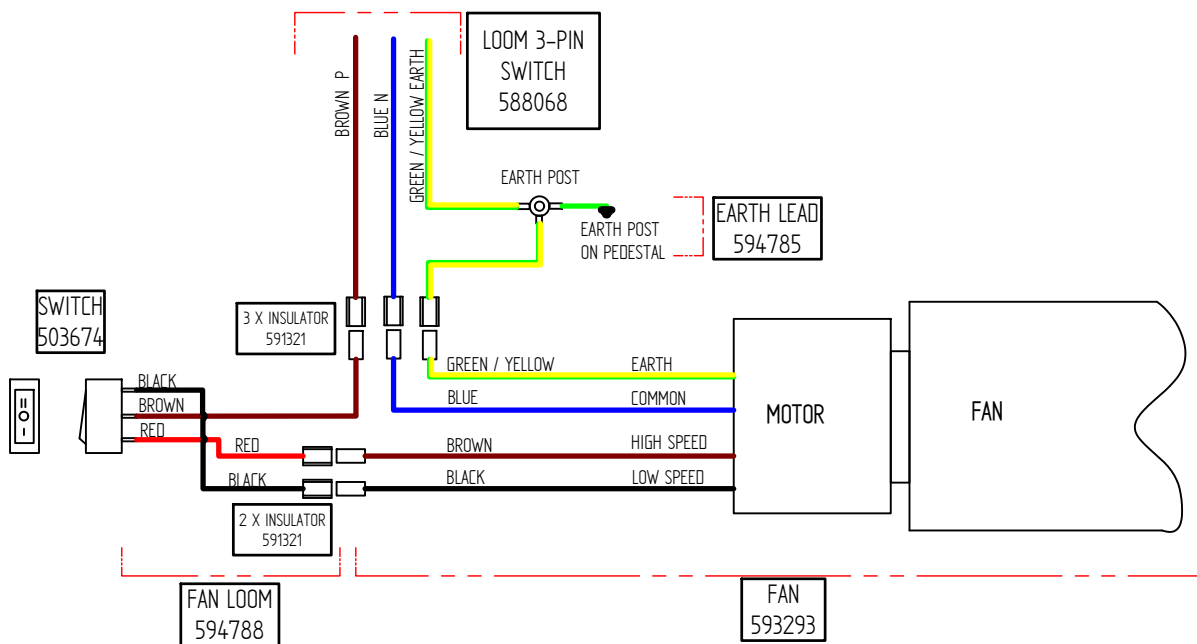
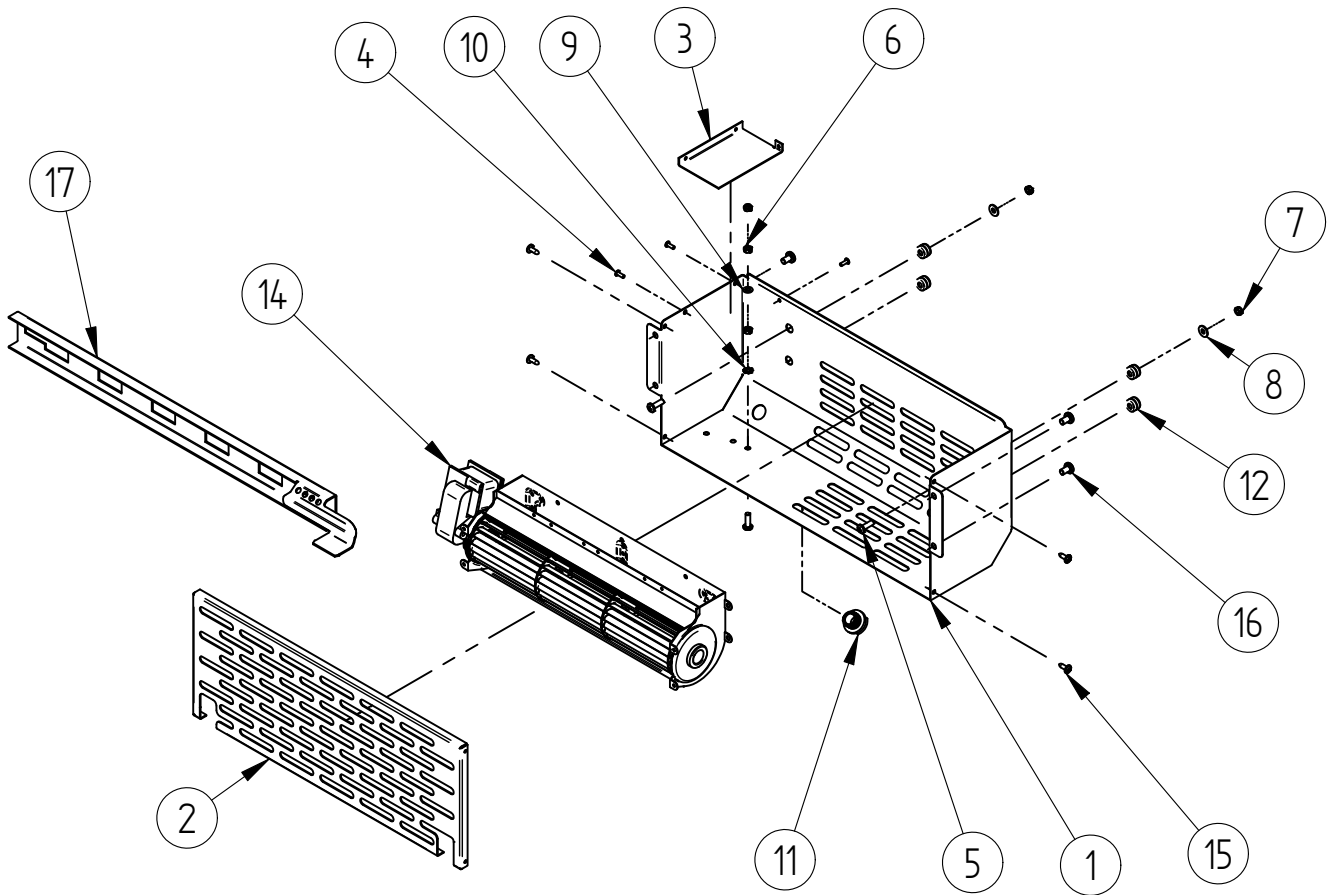
When ordering PLEASE QUOTE PART ID, MODEL Number & DESCRIPTIONS, NOT ITEM Number
determining left hand side from viewing position

DOOR ASSEMBLY : 983231				
Item	Part ID	Models	Description	Qty
		983911		
1	PFS00034	-	PFS GLASS RETAINER	1
2	983215	V02	R5000 DOOR SUB ASSEMBLY	1
3	KRR00373	-	KRR DOOR LEVER	1
4	PFS00204	-	PFS GLASS	1
5	521704	-	SCREW; GRUB M6X25 ALLEN BLK	1
6	522901	-	NUT; BINX M5 ZP	1
7	521805	-	SCREW; CAP M5X25 ALLEN BLK	1
8	PYR00461	-	PYR HANDLE ROLLER	1
9	C14MMDR	-	DOOR ROPE 16MM X 50m ROLL (MTR)	1
10	C25MMLT	-	LADDER TAPE 25x3x50m ROLL (MTR)	1
11	521627	-	SCREW; S/T 8GX3/8" MUSH FLANGE POZI BLK	2
12	PFS95204	-	PFS GLASS/TAPE SPARE KIT	1
13	PYREDH	-	PYRE DOOR HANDLE ASSEMBLY	1

*Optional Sale Kit

When ordering PLEASE QUOTE PART ID, MODEL Number & DESCRIPTIONS, NOT ITEM Number
determining left hand side from viewing position

FAN BOX ASSEMBLY



When ordering PLEASE QUOTE PART ID, MODEL Number & DESCRIPTIONS, NOT ITEM Number
determining left hand side from viewing position

R5000 FAN BOX ASSAMBLY: 983916				
Item	Part ID	Models	Descriptions	Qty
		983911		
1	983237	P02	R5000 FAN CASING	1
2	983238	P02	R5000 FAN BACKING PANEL	1
3	994794	-	SHIELD FAN PANEL FERGAS F3000	1
4	524002	-	RIVET; 73 AS 4-3	3
5	521033	-	SCREW; M5X16 PAN POZI BLK	3
6	522106	-	NUT; HEX STD M5 ZP	2
7	522305	-	NUT; NYLOCK M5 ZP	3
8	523000	-	WASHER; FLAT 3/16"X1/2"X18G ZP	2
9	523028	-	WASHER; FLAT M5 BRS	1
10	523204	-	WASHER; STAR M5 EXT	1
11	529201	-	CLAMP; CABLE 16 LITTLE GRIPPER	1
12	529402	-	GROMMET; 14X6	4
14	593293	-	FAN-2 SP TANG W/F INB FERGAS 76118	1
15	521645	-	SCREW; S/T 8GX1/2" MUSH FLANGE POZI BLK	4
16	521045	-	SCREW; M6X10 PAN POZI BLK	4
17	983278	-	R5000 A/S SOFTWOOD NZ FAN	1

When ordering PLEASE QUOTE PART ID, MODEL Number & DESCRIPTIONS, NOT ITEM Number
determining left hand side from viewing position

NOT ILLUSTRATED				
Item	Part ID	Models		Qty
		983911		
1	593286	-	OWNER MANUAL WOODFIRES 2010	1
2	593287	-	INSTALL MANUAL WOODFIRES 2010	1
3	583268	-	R5000 SW & HW DATA SHEET	1
4	583270	-	R5000 BRICK LAYOUT	1
5	KRM00064	-	KRM FLUE DEFLECTOR PLATE	1

SURFACE FINISH CODES FOR PANELS					
VITREOUS ENAMEL		VHT PAINT(Very High Temp)		POWDER COAT	
E01	MATT BLACK	V02	METALLIC BLACK	P02	MATT BLACK
E02	GLOSS BLACK	V03	CHARCOAL	P03	CHARCOAL
E03	CHARCOAL	V04	TITANIUM	P05	SATIN BLACK
		V05	CHARCOAL (DAM MET BLK)	P09	METTALIC BLACK
		V06	METALLIC BLACK ZINC		

When ordering PLEASE QUOTE PART ID, MODEL Number & DESCRIPTIONS, NOT ITEM Number
determining left hand side from viewing position