

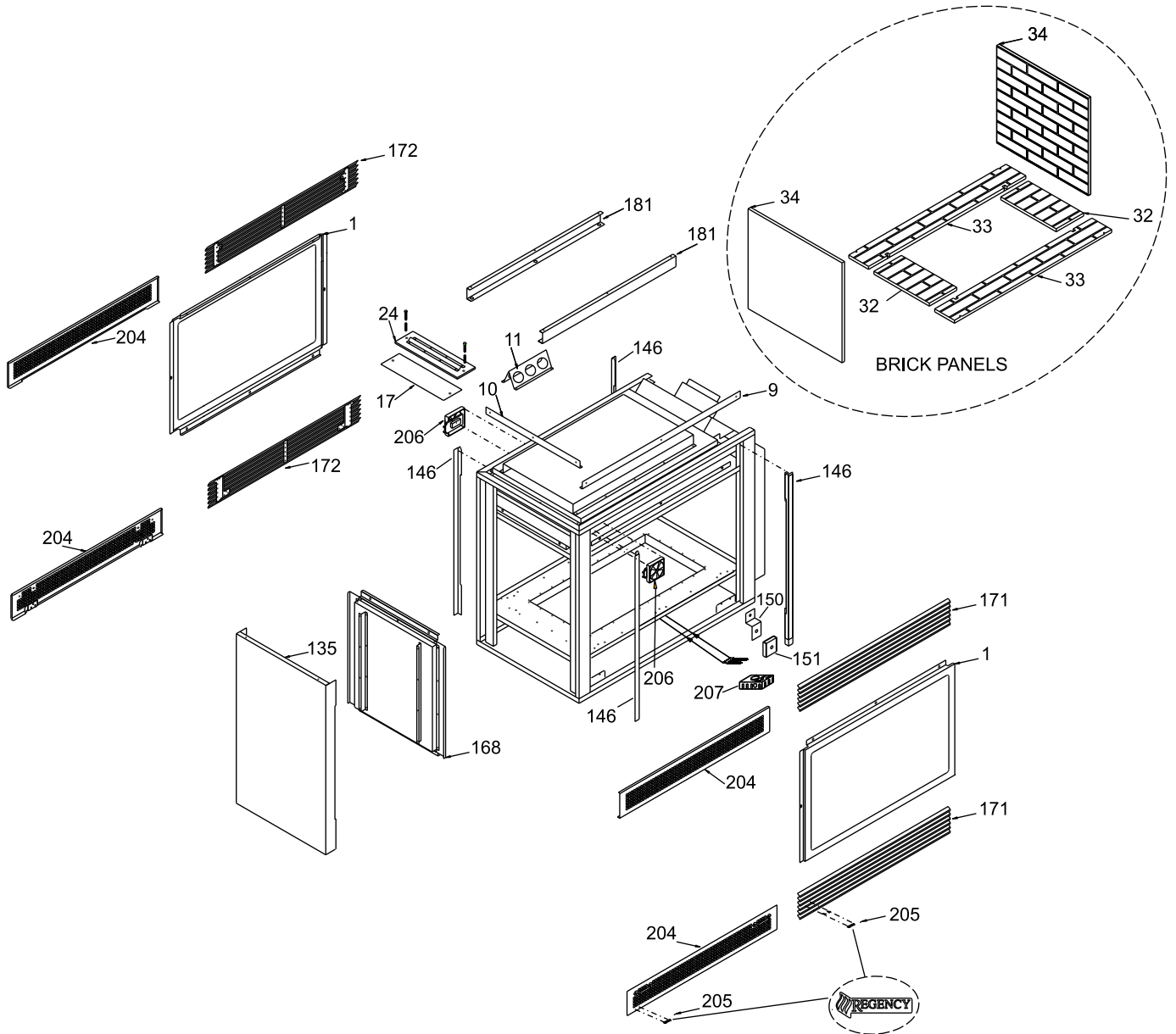
Masport®

INBUILT GAS FIRES

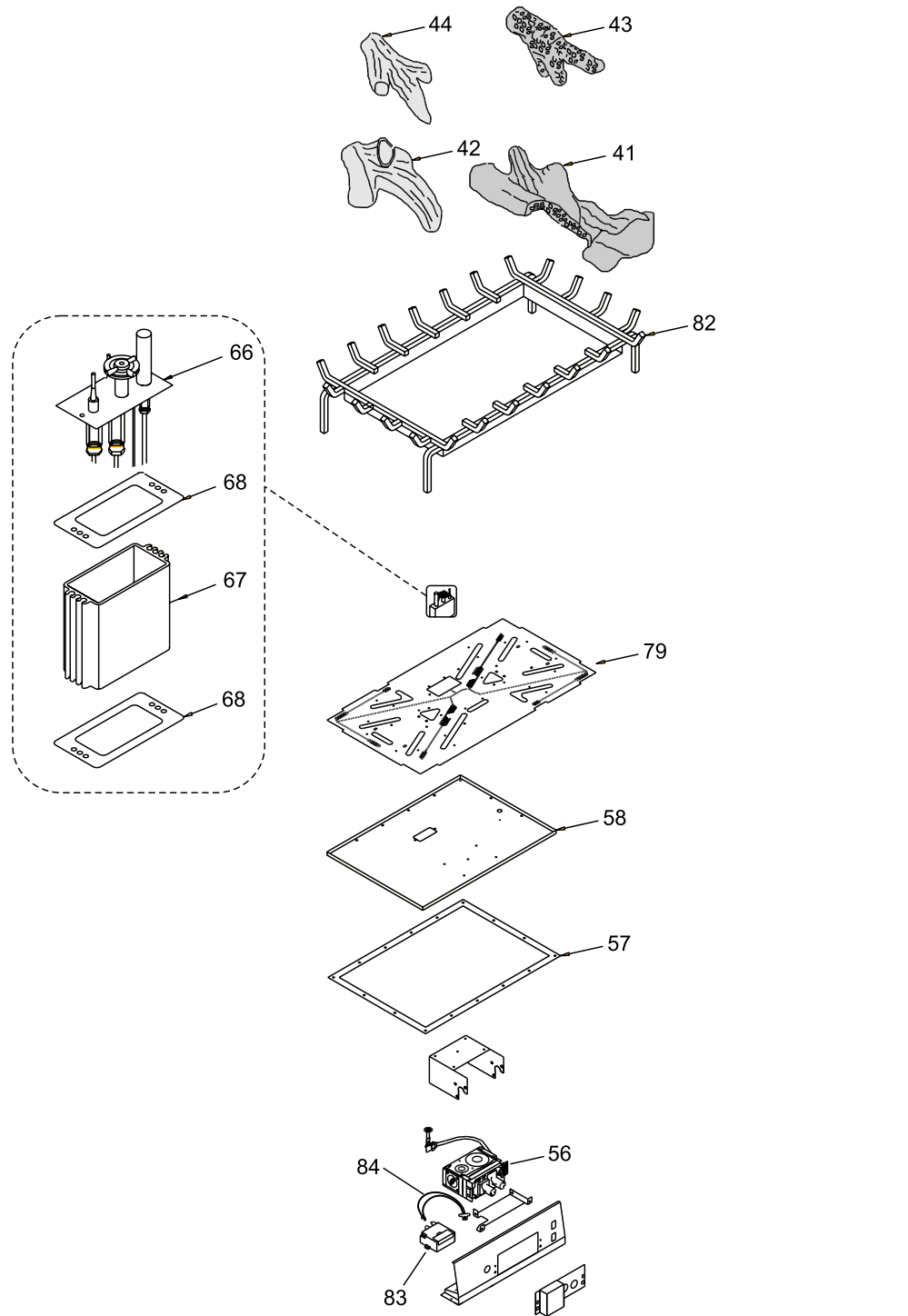
NEWPORT (P121)

			NZ	AUST
Part Numbers	Newport	Natural Gas	FPI2153	P121NG-MA
	Newport	L.P.G	FPI2154	P121NG-MA





Item No	Part No	Description	Item No	Part No	Description
1	360-528	Door Assy Front - Tempered	151	904-258	Magnet
	360-538	Door Assy Front - Ceramic (Optional)	168	360-068	Door Cover Assembly - Side
2	360-529	Door Assy Side - Tempered	171	360-920	Louver Front - Black (set)
	360-539	Door Assy Side - Ceramic (Optional)		360-922	Louver Front - Black/Gold (set)
9	360-046	Nailing Strip - Top - Front		360-924	Louver Front - Black/Steel (set)
10	360-047	Nailing Strip - Top - Side		360-926	Louver Front - Black/Brass (set)
11	430-001	Standoff - Top	181	*	Extension Trim - See Thru
17	360-086	Gasket - Relief Door	204	360-940	Dec. Grill Front - Black (set)
24	*	Relief Door Assembly	205	948-217	Masport Logo Plate
32	902-296	Brick Panel - Base - Front	206	910-172	Fan Axial 240V
33	902-297	Brick Panel - Base - Side	207	910-142	Thermodisc
34	902-298	Brick Panel - Side		918-180	Manual
135	360-069	Heat Shield - Side		*	Not available as a replacement part.
146	360-035	Finishing Trim			
150	360-123	Magnet Bracket - Front			



Item No	Part No	Description	Item No	Part No	Description
	360-930	Log Set	68	W840470	Pilot Assembly Gasket
41	904-326	Front Right Log	69	910-190	Piezo Ignitor and Nut
42	904-327	Front Left Log	79	360-525	Burner Assembly
43	904-328	Middle Left Log	82	360-027	Grate Assembly
44	904-329	Middle Right Log		904-690	Orifice #31 - NG
	360-574/P	Valve Assembly		936-170	Orifice Gasket
56	360-378/P	Valve S.I.T. - NG	83	910-073	Spark Generator Battery Holder
57	360-090	Gasket - Valve Tray	84	910-074	Spark Generator Switch c/w Wire
58	*	Valve Tray		*	Not available as a replacement part.
66	910-038	Pilot Assembly - NG			
67	*	Pilot Holder			

When ordering PLEASE QUOTE PART NUMBER & Description, NOT Illustration No.
Determine right or left hand side from standing in viewing position