

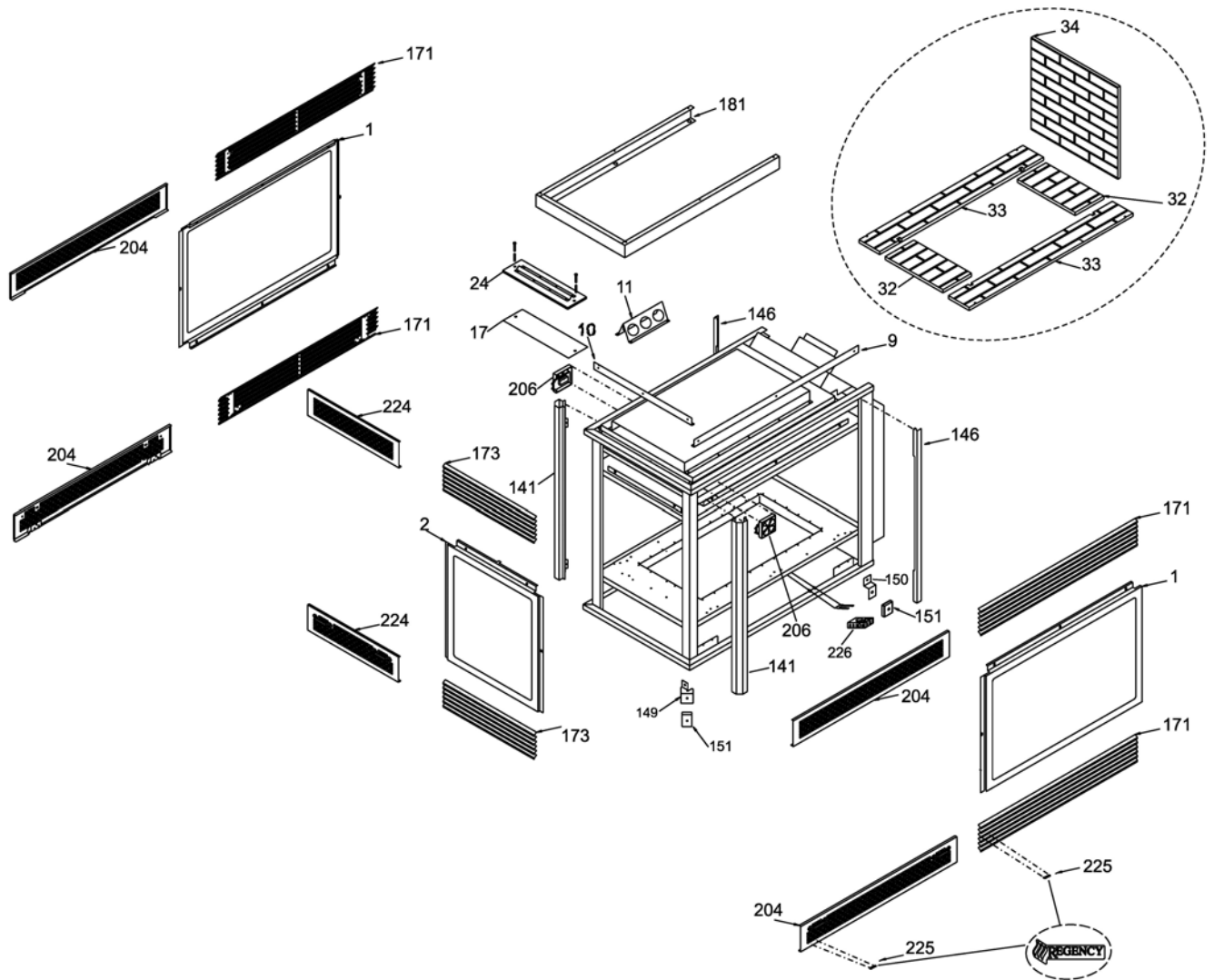
Masport®

INBUILT GAS FIRES

NEWPORT PIER ECS

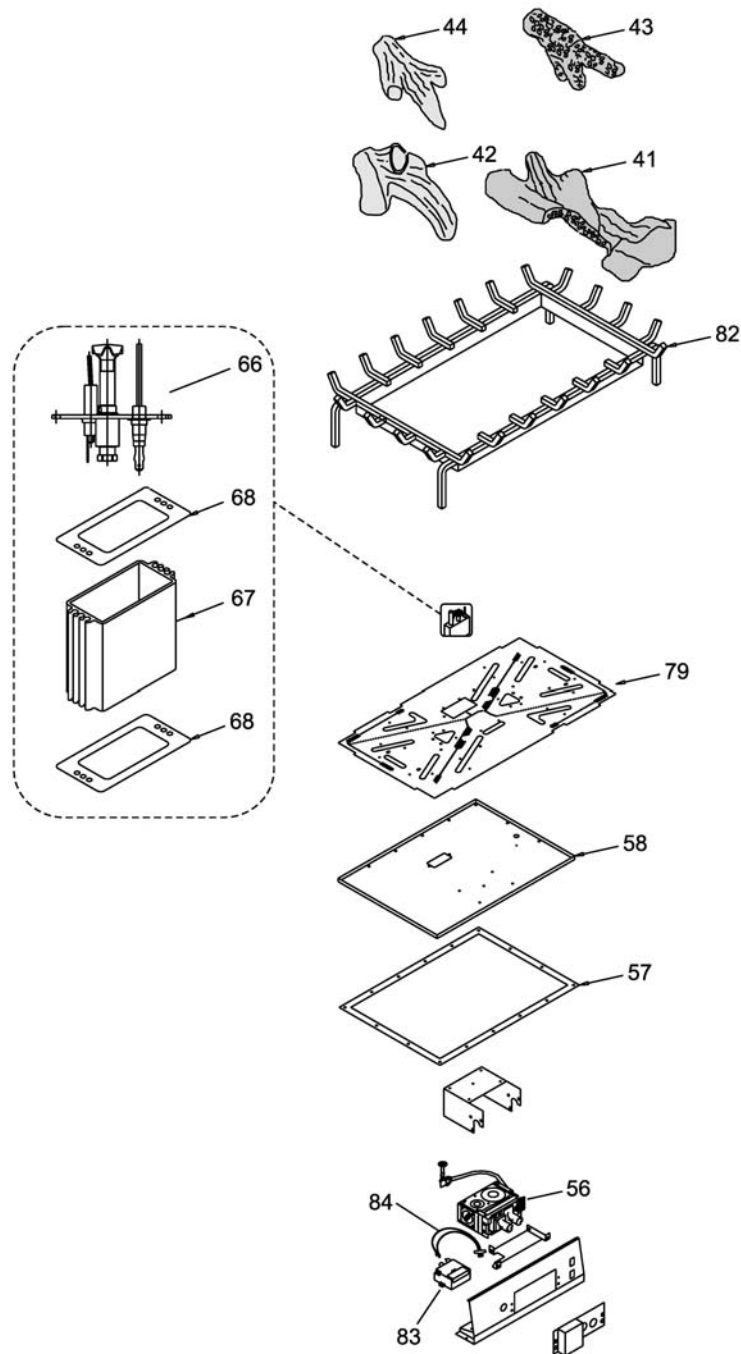
			NZ	AUST
Part Numbers	Newport Pier ECS	Natural Gas/LPG	PG131NG-MN	PG131NG-MA





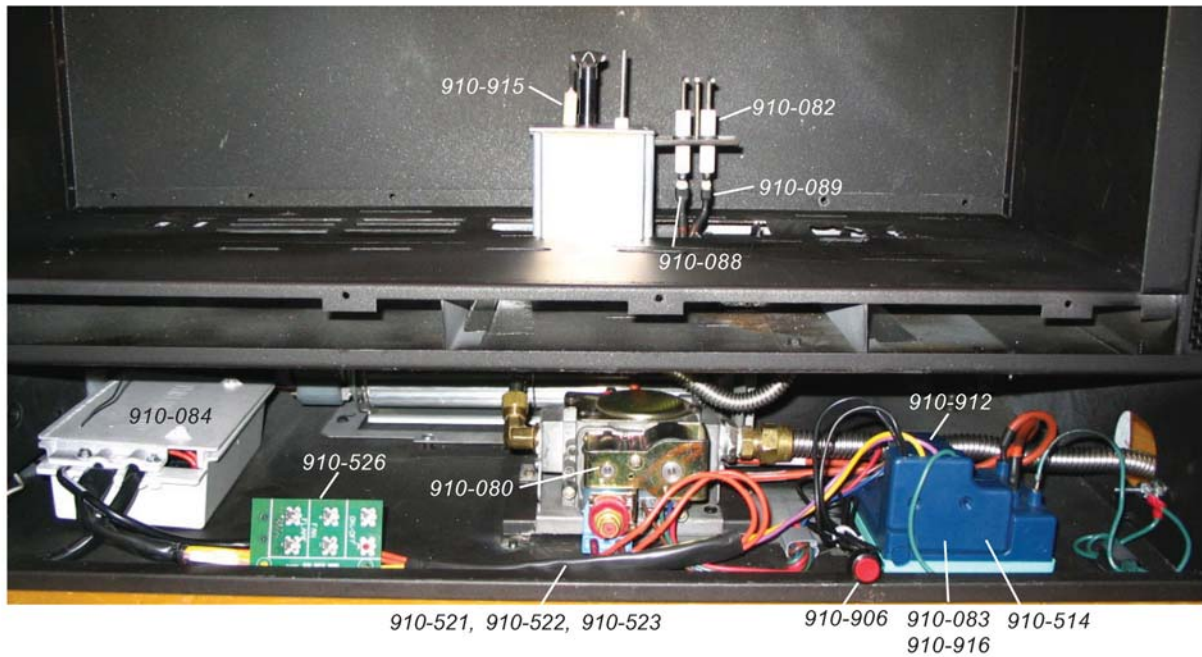


Item No	Part No	Description	Item No	Part No	Description
1	360-528/P	Door Assy Front - Tempered	171	360-957	Louvre Front - Black
	360-946	Door Assy Front - Ceramic (Optional)		360-958	Louvre Front - Black/Gold
2	360-529/P	Door Assy Side - Tempered		360-959	Louvre Front - Black/Steel
	360-948	Door Assy Side- Ceramic (Optional)		360-960	Louvre Front - Black/Brass
9	360-046	Nailing Strip - Top - Front	173	360-932	Louvre Side - Black
10	360-047	Nailing Strip - Top - Side		360-934	Louvre Side - Black/Gold
11	430-001	Standoff - Top		360-936	Louvre Side - Black/Steel
17	360-086	Gasket - Relief Door		360-938	Louvre Side - Black/Brass
24	*	Relief Door Assembly	181	*	Extension Trim - Pier
32	902-296	Brick Panel - Base - Side	204	360-961	Dec. Grill Front - Black
33	902-297	Brick Panel - Base - Front	206	910-172	Fan Axial 240V
34	902-298	Brick Panel - Side	224	360-942	Dec. Grill Side - Black
141	360-031	Column Finishing Trim	225	948-216	Masport Logo Plate
146	360-035	Finishing Trim	226	910-142	Thermodisc
149	360-122	Magnet Bracket - Corner		736-969	Conversion Kit - NG to LPG
150	360-123	Magnet Bracket - Front		918-320	Manual
151	904-258	Magnet		*	Not available as a replacement part.



Item No	Part No	Description	Item No	Part No	Description
	360-930	Log Set	69	910-190	Piezo Ignitor and Nut
41		Front Right Log	79	360-525	Burner Assembly
42		Front Left Log	82	360-027	Grate Assembly
43		Middle Left Log		904-690	Orifice #31 - NG
44		Middle Right Log		936-170	Orifice Gasket
		Valve Assembly	83	910-073	Spark Generator Battery Holder
56		Valve S.I.T. - NG	84	910-074	Spark Generator Switch c/w Wire
57	360-090	Gasket - Valve Tray	90	910-386	Thermocouple
58	*	Valve Tray	91	910-341	Thermopile
66	910-038	Pilot Assembly - NG			
67	*	Pilot Holder			
68	W840470	Pilot Assembly Gasket			
				*	Not available as a replacement part.

ELECTRONIC COMPONENTS FOR GENEVA'S (FG37, FG38, FG39) ROMA (PG33), GRANADA/CALAIS (PG36), NEWPORT (PG121), NEWPORT PIER (PG131) HAMPTON (HG35)



	FG37	FG38	FG39	PG33	PG36	HG35	PG121/PG131
910-909 Fan Resistor	✓	✓	✓	✓	✓	✓	✓
910-915 Intermittent Pilot	✓	N/A	✓	✓	✓	✓	✓
910-082 Direct Spark Ignitor	N/A	✓	N/A	N/A	N/A	N/A	N/A
910-089 Flame Cable	✓	✓	✓	✓	✓	✓	✓
910-088 Spark Cable	✓	✓	✓	✓	✓	✓	✓
910-084 Control Box	✓	✓	✓	✓	✓	✓	✓
910-527 & 910528	✓	✓	✓	N/A	N/A	✓	N/A
910-080 Valve	✓	✓	✓	✓	✓	✓	✓
910-521 Control Box Cable (1) 910-522 Control Box Cable (2) 910-523 Control Box Cable (3)	(2)	N/A*	(2)	(2)	(1)	(2)	(3)
910-912 Ignition Module to Valve Cable	N/A	N/A	N/A	✓	✓	✓	✓
791412 Reset Switch	✓	N/A	✓	✓	✓	✓	✓
910-083 Ignition Module (1) 910-022 Ignition Module (2)	(2)	(1)	(2)	(2)	(2)	(2)	(2)
910-514 Jumper	✓	N/A	✓	✓	✓	✓	✓

* Note: The Control Box Cable wires for the FG38 come separately: 910-502, 910-505, 910-506, 910-507, 910-509