

# Masport®

## INBUILT GAS FIRES

### SEVILLE / NAPLES INBUILT Natural Gas/LPG (New Zealand / Australia)

		NZ	AUST
Part Numbers	Seville Firebox Natural Gas	990900	A90906
	LPG	990901	A90907
	Naples Firebox Natural Gas	990904	A90908
	LPG	990905	A90909
Fascia - Mantel	Metallic Black	990902	A90902
Fascia - Bevelled	Metallic Black	990910	A90910
Fascia - Zero Clearance	Metallic Black	990911	A90911
Zero Clearance Kit		990903	A90903

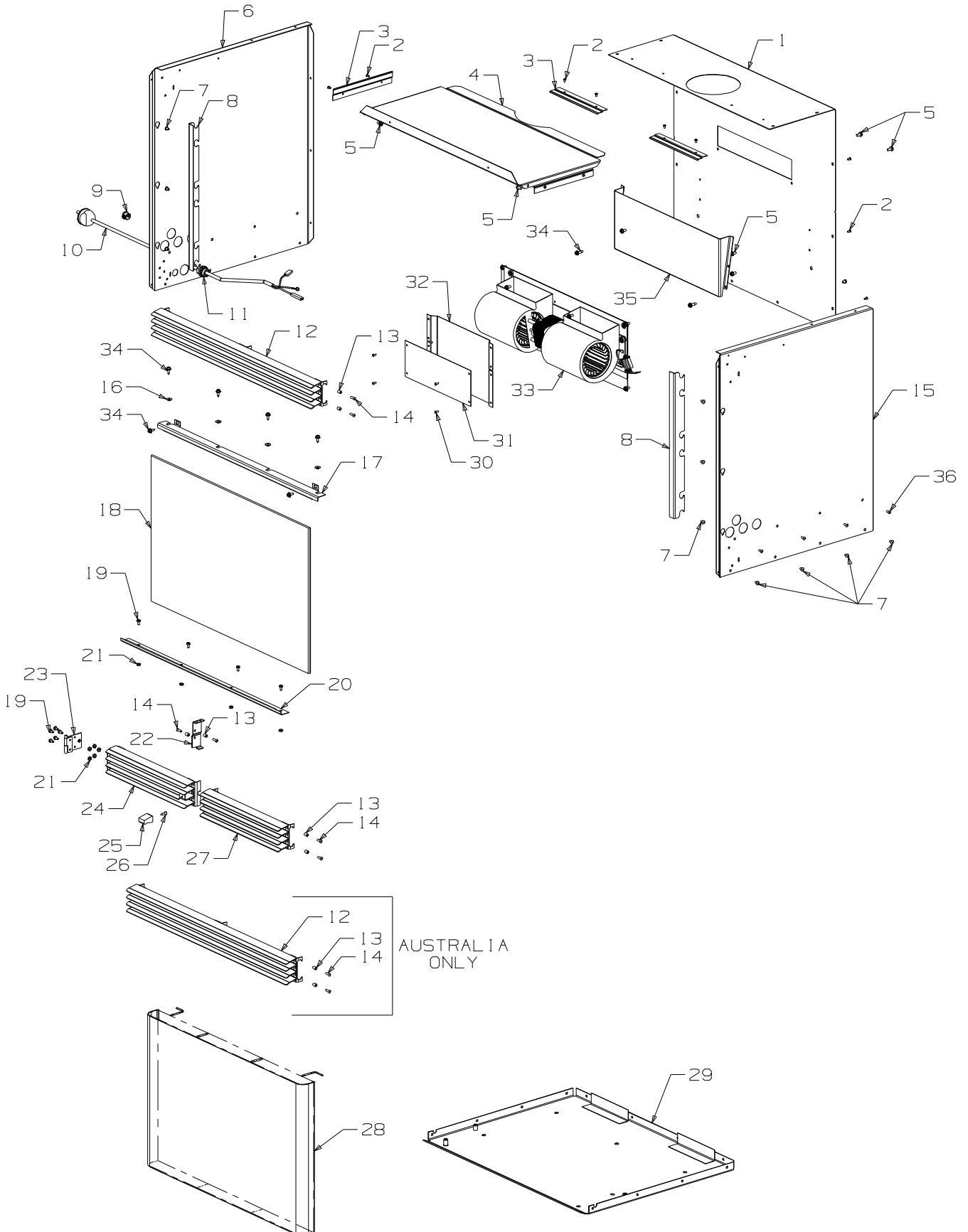
From Serial Number 4001850



SEVILLE



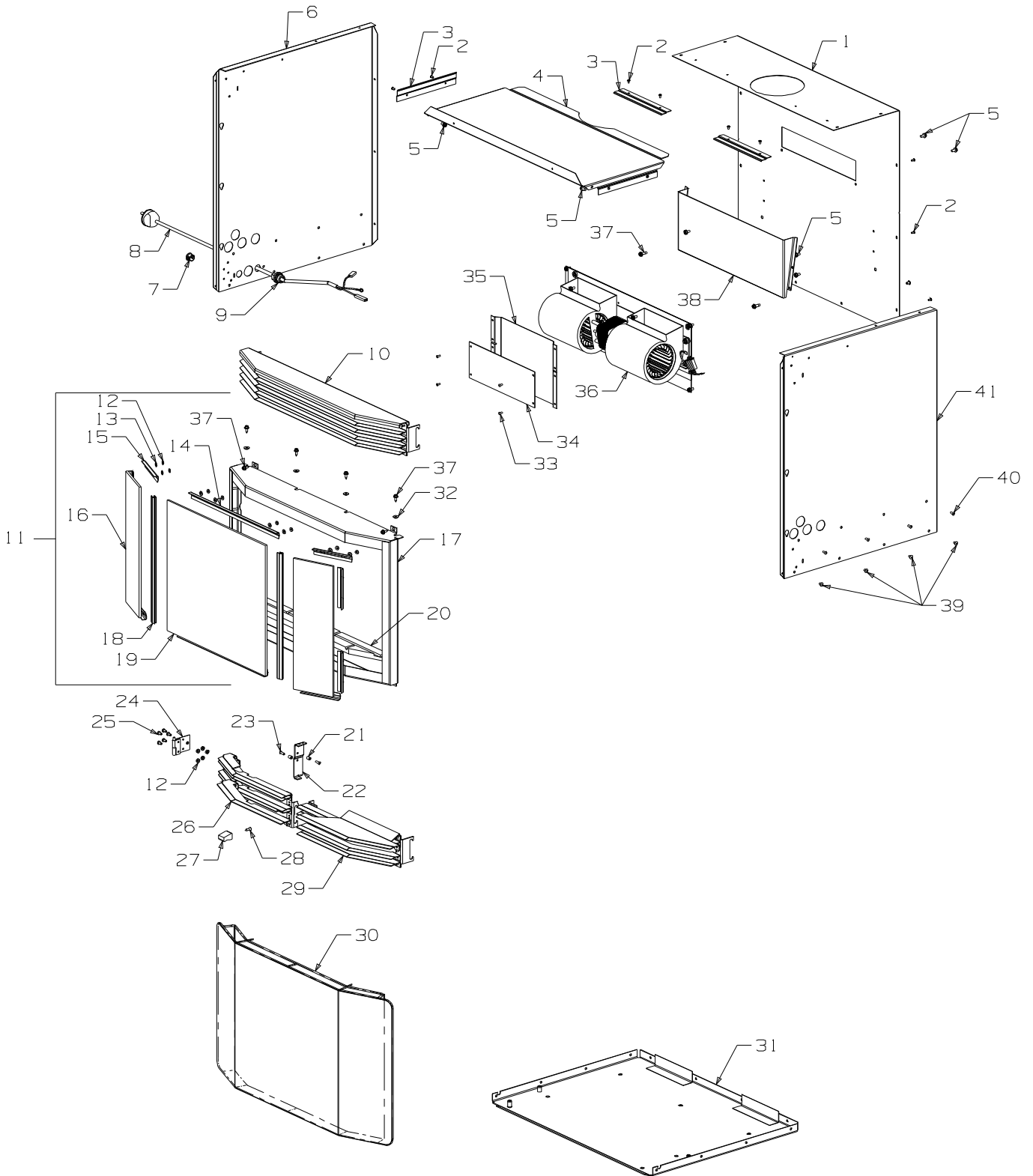
NAPLES





Item No	Part No	Description	Qty	Item No	Part No	Description	Qty
<b>1</b>	<b>990142</b>	Case-Outer, Rear	<b>1</b>	<b>20</b>	<b>790007</b>	Trim-Glass, Bottom	<b>1</b>
<b>2</b>	<b>503586</b>	Rivet-Pop 4.0 Dia	<b>10</b>	<b>21</b>	<b>503622</b>	Nut, M4 Hex Stainless	<b>8</b>
<b>3</b>	<b>986514</b>	Case-Outer, Guide Rail	<b>4</b>	<b>22</b>	<b>990090</b>	Bracket-Mounting, Louvre	<b>1</b>
<b>4</b>	<b>986513</b>	Case-Outer, Top	<b>1</b>	<b>23</b>	<b>503657</b>	Hinge, Reflex	<b>1</b>
<b>5</b>	<b>503630</b>	Screw; S/T 10 x .4	<b>31</b>	<b>24</b>	<b>790088</b>	Louvre Assy-Bottom, LH	<b>1</b>
<b>6</b>	<b>990082</b>	Case-Outer, Side LH	<b>1</b>	<b>25</b>	<b>590097</b>	Knob-Louvre, Control	<b>1</b>
<b>7</b>	<b>503272</b>	Rivet-Pop 4.8 Dia x 4.8	<b>18</b>	<b>26</b>	<b>503004</b>	Screw, Csk No. 8 x 5/8"	<b>1</b>
<b>8</b>	<b>790026</b>	Trim-Glass	<b>1</b>	<b>27</b>	<b>790087</b>	Louvre Assy-Bottom, RH	<b>1</b>
<b>9</b>	<b>586734</b>	Bush-Plastic, 22mm	<b>1</b>	<b>28</b>	<b>790043</b>	Guard-Dress (Australia)	<b>1</b>
<b>10</b>	<b>588068</b>	Loom-3 Pin	<b>1</b>	<b>29</b>	<b>990066</b>	Base Assy	<b>1</b>
<b>11</b>	<b>577089</b>	Nut, Cable Gripper	<b>1</b>	<b>30</b>	<b>503429</b>	Rivet-Pop 3.2 Dia x 4.8	<b>16</b>
<b>12</b>	<b>790020</b>	Louvre Assy, Top	<b>1</b>	<b>31</b>	<b>990098</b>	Heatshield-Fan, Front	<b>1</b>
<b>13</b>	<b>988388</b>	Spacer-Control Panel	<b>8</b>	<b>32</b>	<b>990099</b>	Heatshield-Fan, Back	<b>1</b>
<b>14</b>	<b>503659</b>	Rivet-Pop 4.0 Dia x 9.0	<b>8</b>	<b>33</b>	<b>790112</b>	Fan Assy-3 Speed, Single	
<b>15</b>	<b>990081</b>	Case-Outer, Side RH	<b>1</b>			- New Zealand	<b>1</b>
<b>16</b>	<b>990135</b>	Spacer-Glass Retainer	<b>4</b>	<b>• 790078</b>		Fan Assy-3 Speed, Double	
<b>17</b>	<b>790006</b>	Trim-Glass, Top	<b>1</b>			- Australia	<b>1</b>
<b>18</b>	<b>790000</b>	Glass,		<b>34</b>	<b>503489</b>	Screw, Set M5 x 16	<b>6</b>
		5mm x 580mm x 362mm	<b>1</b>	<b>35</b>	<b>990029</b>	Cover-Fan Outlet	<b>1</b>
<b>19</b>	<b>503621</b>	Screw, Pan M4 x 8	<b>8</b>	<b>36</b>	<b>586167</b>	Rivet-Pop 4.0 Dia x 4.8	<b>17</b>

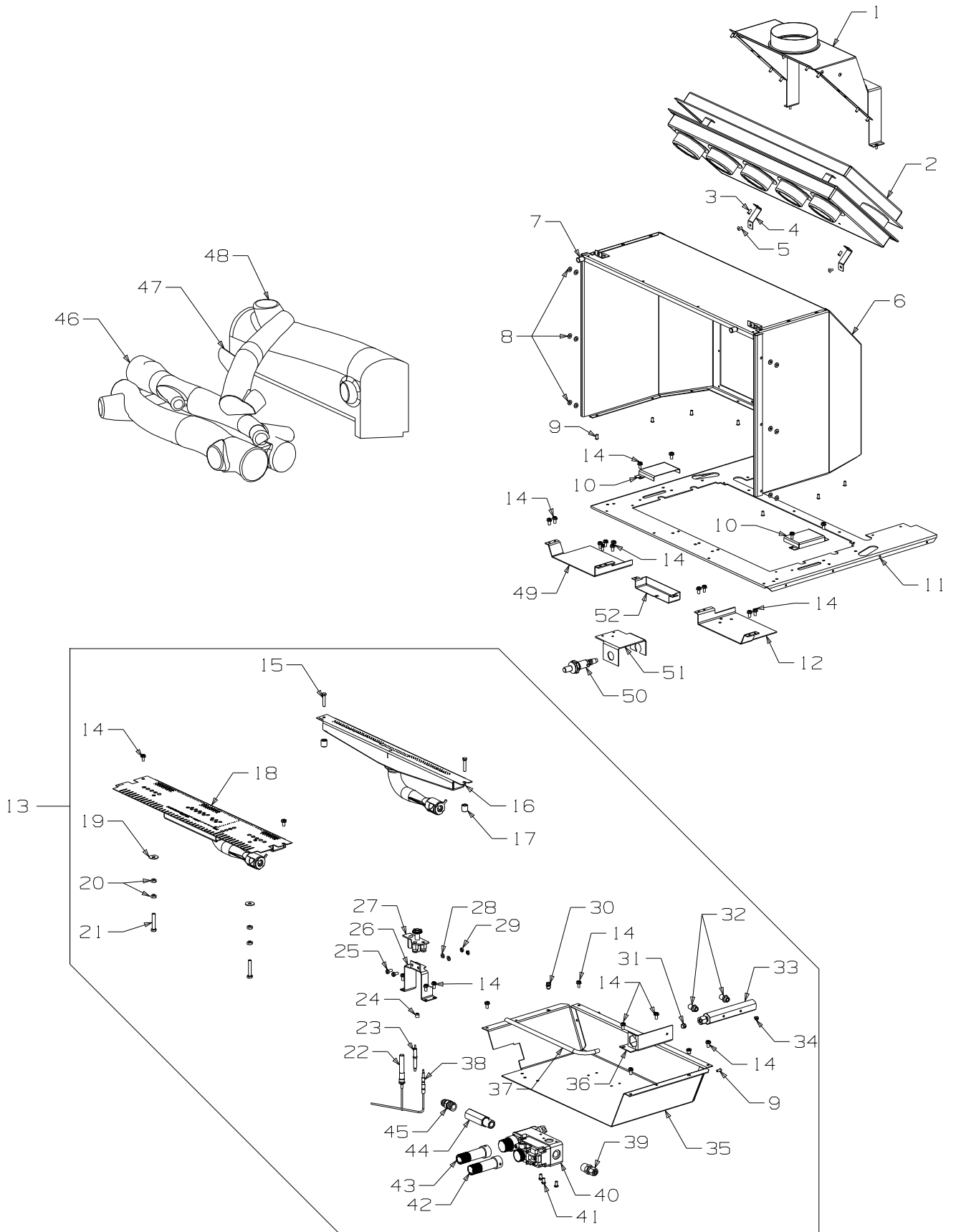
**Bold Text** = Assemblies  
**Bulleted Text** = Items included in Assemblies





Item No	Part No	Description	Qty	Item No	Part No	Description	Qty
1	990142	Case-Outer, Rear	1	23	503659	Rivet-Pop 4 Dia x 9	2
2	503586	Rivet-Pop 4.0 Dia	10	24	503657	Hinge, Reflex	1
3	986514	Case-Outer, Guide Rail	4	25	503621	Screw, Pan M4 x 8	8
4	986513	Case-Outer, Top	1	26	790104	Louvre Assy-Bottom, LH	1
5	503630	Screw; S/T 10 x .4	31	27	590097	Knob-Louvre, Control	1
6	990082	Case-Outer, Side LH	1	28	503004	Screw, Csk No. 8 x 5/8"	1
7	586734	Bush-Plastic, 22mm	1	29	790051	Louvre Assy-Bottom, RH	1
8	588068	Loom-3 Pin	1	30	790058	Guard-Dress (Australia)	1
9	577089	Nut, Cable Gripper	1	31	990066	Base Assy	1
10	790048	Louvre Assy-Upper	1	32	990135	Spacer-Glass, Retainer	4
11	790106	<b>Frame Assy-Glass</b>	1	33	503429	Rivet-Pop 3.2 Dia x 4.8	16
12	503622	• Nut, M4 Hex Stainless	24	34	990098	Heatshield-Fan, Front	1
13	503593	• Washer, Flat 4 x 19 x 1	24	35	990099	Heatshield-Fan, Back	1
14	990047	• Retainer-Glass, Long	2	36	790112	Fan Assy-3 Speed, Single	
15	990046	• Retainer-Glass, Short	8			- New Zealand	1
16	790060	• Glass-Side	2	•	790078	Fan Assy-3 Speed, Double	
17	790079	• Frame Assy-Glass	1			- Australia	1
18	790086	• Trim-Glass	2	37	503489	Screw, Set M5 x 16	2
19	790061	• Glass-Front	1	38	990029	Cover-Fan Outlet	1
20	790015	• Panel-Brick	1	39	503272	Rivet-Pop 4.8 Dia x 4.8	18
21	988388	Spacer-Control Panel	1	40	586167	Rivet-Pop 4.0 Dia x 4.8	17
22	990146	Bracket-Mounting Louvre	1	41	990081	Case-Outer, Side RH	1

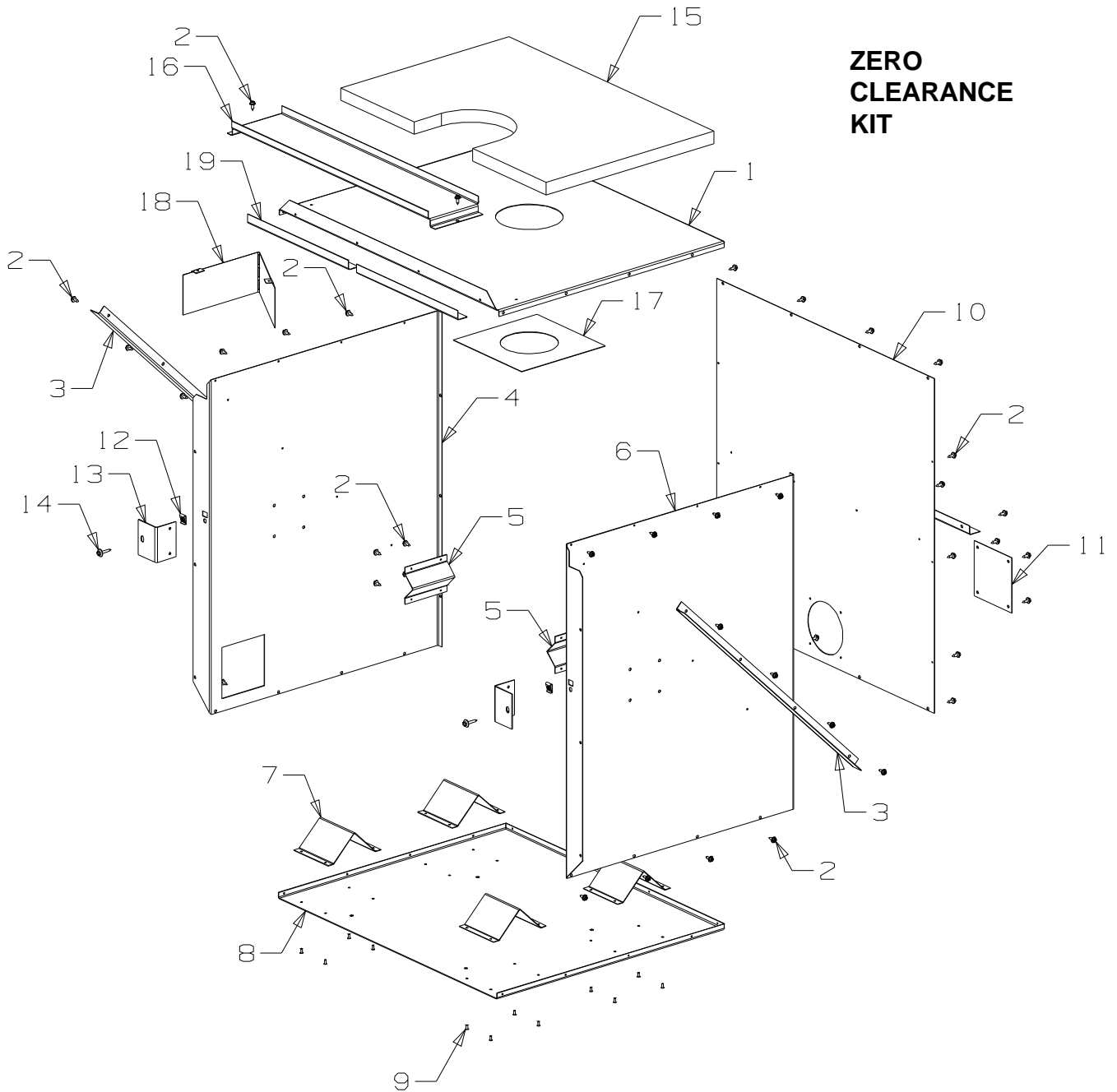
**Bold Text** = Assemblies  
**Bulleted Text** = Items included in Assemblies





Item	Part No	Description	Qty	Item	Part No	Description	Qty
1	990139	Flue Terminal Assy	1	29	501856	• Nut, M5 Hex Pressed	2
2	988026	Heat Exchanger Assy	1	30	503474	• Nut, M5 Nutsert	2
3	503583	Rivet 4.0 Dia	8	31	588172	• Olive, M8 Brass	1
4	988006	Support-Heat Exchange	2	32	588624	• Injector-Main .85	
5	503627	Rivet 4.0 Dia	6			- Natural Gas	2
6	990002	Firebox Assy	1	•	588596	• Injector-Main 1.20 - LPG	2
7	501040	Nut, M6 Nutsert	5	33	588566	• Manifold-Burner	1
8	501330	Washer, Flat 5 x 10 x 1	12	34	503631	• Screw, Pan M4 x 5	1
9	586167	Rivet-Pop 4.0 Dia x 4.8	2	35	990018	• Burner Tray-Base	1
10	988649	Cover-Secndry Air, Side	2	36	988591	• Plate-Mounting, Injector	1
11	990136	Base Plate	1	37	590059	• Tube-Main Injector	1
12	990138	Heatshield-Control	1	38	590014	• Thermocouple-600	1
13	790017	<b>Burner Assy-Complete</b>		39	588354	• Connector-Comp 8 x 3/8"	1
		- Natural Gas	1	40	590027	• Valve-Control, Gas	
	• 790019	<b>Burner Assy-Complete</b>				- Natural Gas	1
		- LPG	1	•	590062	• Valve-Control, Gas - LPG	1
14	503630	• Screw; S/T 10 x .4	27	41	502021	• Screw, Set WH 3/16"	3
15	501061	• Screw, Set M5 x 25	2	42	590095	• Knob-Control, On/Off	
16	990008	• Burner Assy-Gas, Rear	1			(Naples Only)	1
17	588348	• Spacer-Valve	2	43	590094	• Knob-Control, Hi/Low	
18	990011	• Burner Assy-Gas, Front	1			(Naples Only)	1
19	503196	• Washer ;Flat 1/4" x .75	6	44	590121	• Extension-Inlet (Australia)	1
20	503613	• Nut,M6 Hex Stainless	4	45	588076	• Connector-Flar	
21	501815	• Screw, Set M6 x 35	2			- 3/8" F x 3/8" BSP - NZ	1
22	588408	• Thermopile-580mm		•	590120	• Connector-Flar	
		- 750mv	1			- 1/2" F x 3/8" BSP - AUST	1
23	588403	• Electrode-Piezo, Round	1	46	790110	Log Assy-Ceramic, Front	1
24	588541	• Jet-Pilot 0.51		47	588610	Log-Ceramic, Top	1
		- Natural Gas	1	48	790111	Log-Ceramic, Rear	1
	• 590039	• Jet-Pilot 0.35 - LPG	1	49	990137	Heatshield-Control	1
25	501857	• Screw, Pan M5 x 10	2	50	597004	Piezo-Igniter	1
26	988597	• Bracket-Mounting, Pilot	1	51	990065	Bracket-Mounting, Piezo	1
27	588595	• Pilot Assy	1	52	990141	Cover-Secondary Air, Front	1
28	501330	• Washer, Flat 5 x 10 x 1	2				

**Bold Text** = Assemblies  
**Bulleted Text** = Items included in Assemblies



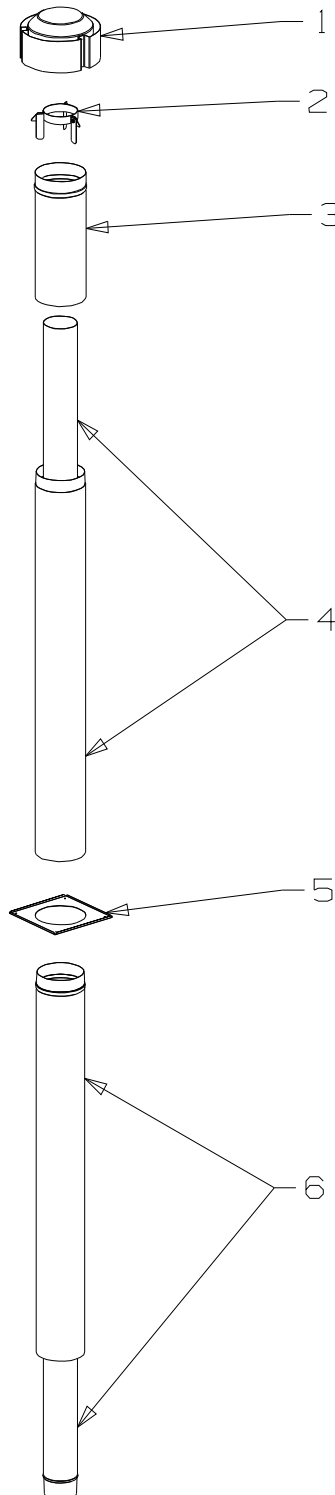
**ZERO  
CLEARANCE  
KIT**

Item No	Part No	Description	Qty	Item No	Part No	Description	Qty
1	990070	Panel-Top	1	10	990073	Panel-Rear	1
2	503704	Screw; S/T 8 x .5	56	11	990147	Cover-Rear	1
3	990074	Spacer-Outer	3	12	503388	Nut-Spire	2
4	990069	Panel-Side, LH	1	13	990149	Bracket-Restraint	2
5	990072	Spacer-Inner	2	14	503459	Screw; S/T 12 x 25	2
6	990068	Panel--Side, RH	1	15	585405	Insulation-Outer Case, Rockwool	1
7	990071	Spacer-Base	4	16	990148	Heatsheid-Lintel	1
8	990067	Base	1	17	990150	Plate-Cover, Flue	1
9	503429	Rivet-Pop 3.2 Dia x 4.8	16	18	990151	Spreader-Flow	1





## ZERO CLEARANCE FLUE KIT

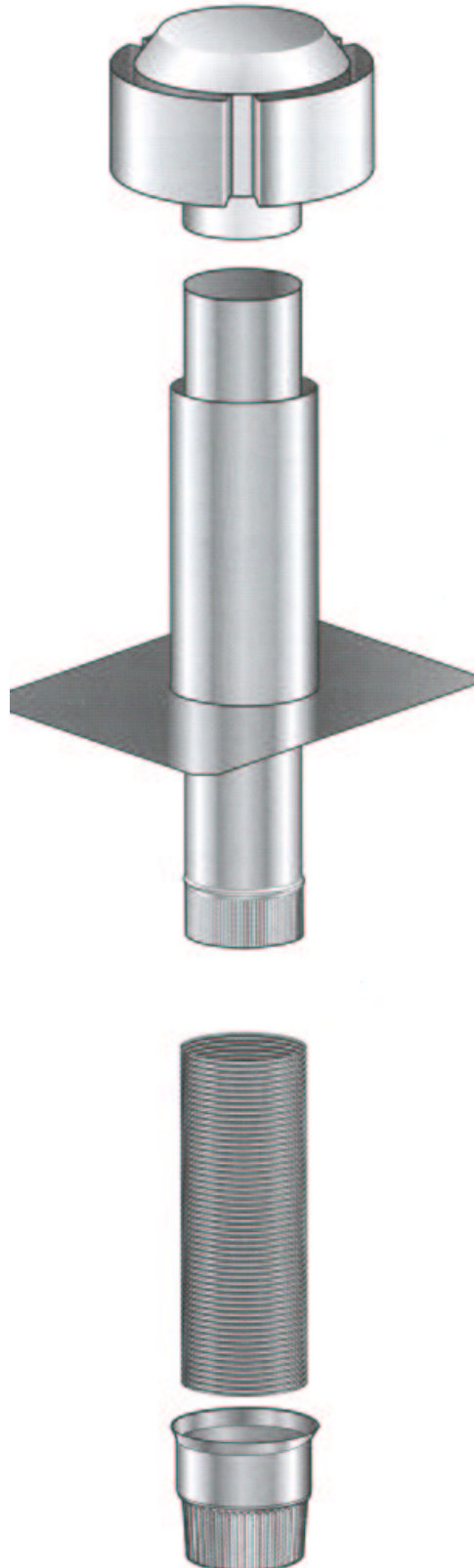


**NZ ONLY**

Item No	Part No	Description	Qty	Item No	Part No	Description	Qty
1	551484	Cowl-Gas - 100mm	1	4	588672	Extension Kit - Roof	1
2	551491	Flue Spacer Bracket-Top - 100mm/150mm	1	5	551504	Plate-Ceiling - Matt Black	1
3	551485	Slip Extension-Outer Heatshield - Galvanised - 150mm x 400mm	1	6	588672	Extension Kit - Roof	1



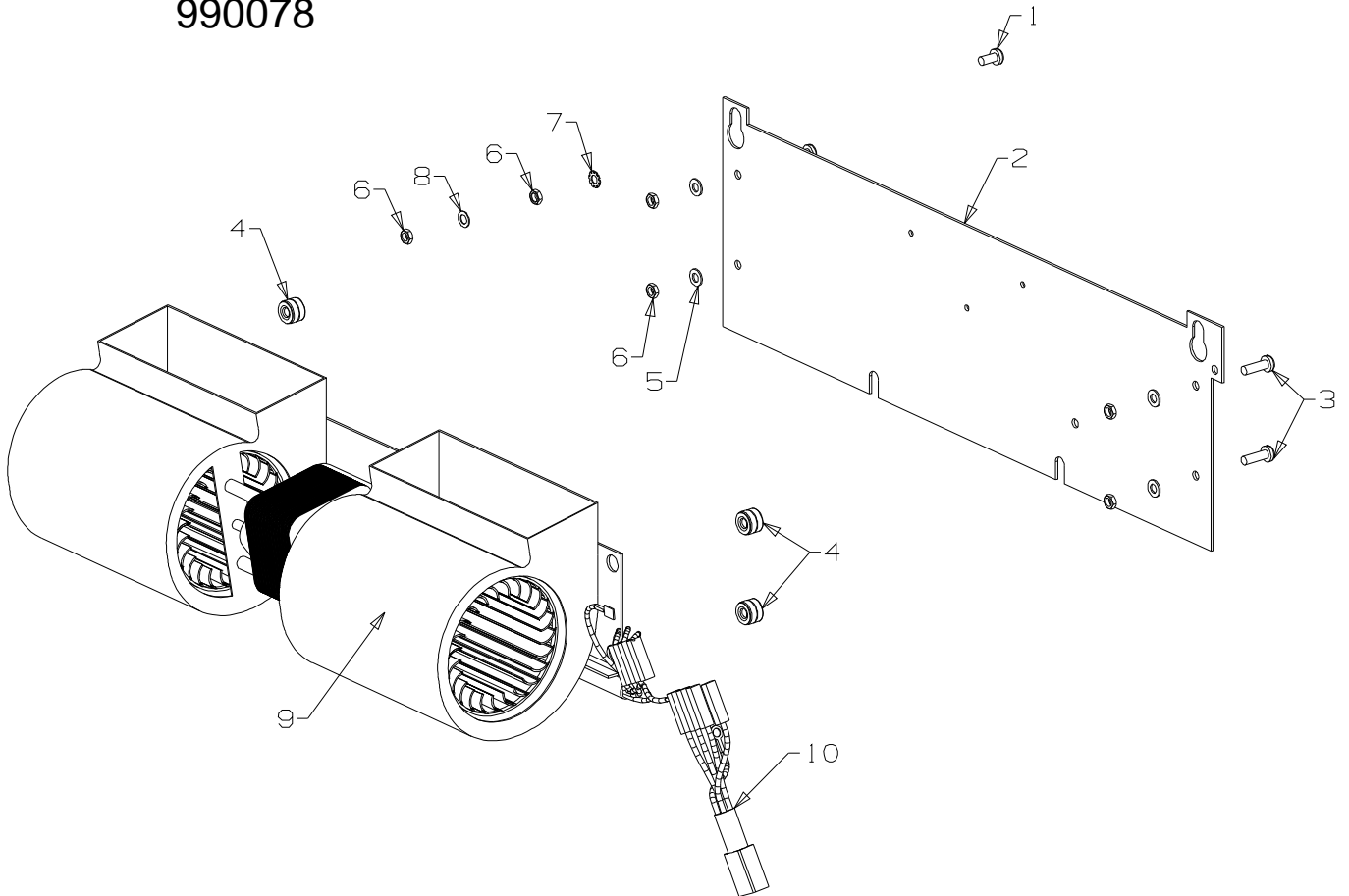
## MASONRY FLUE KIT



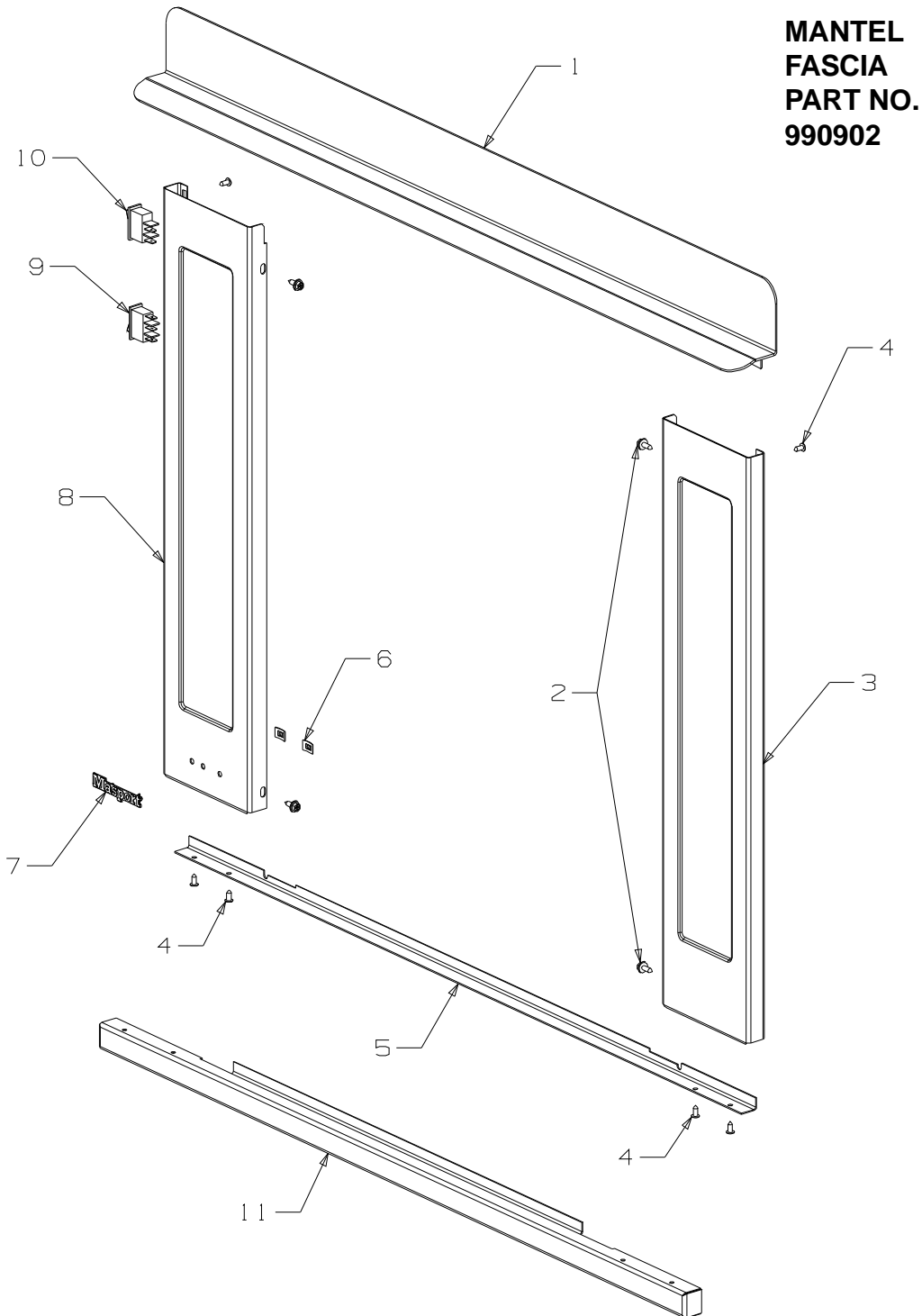
Part Number:  
588637



Part Number:  
990078

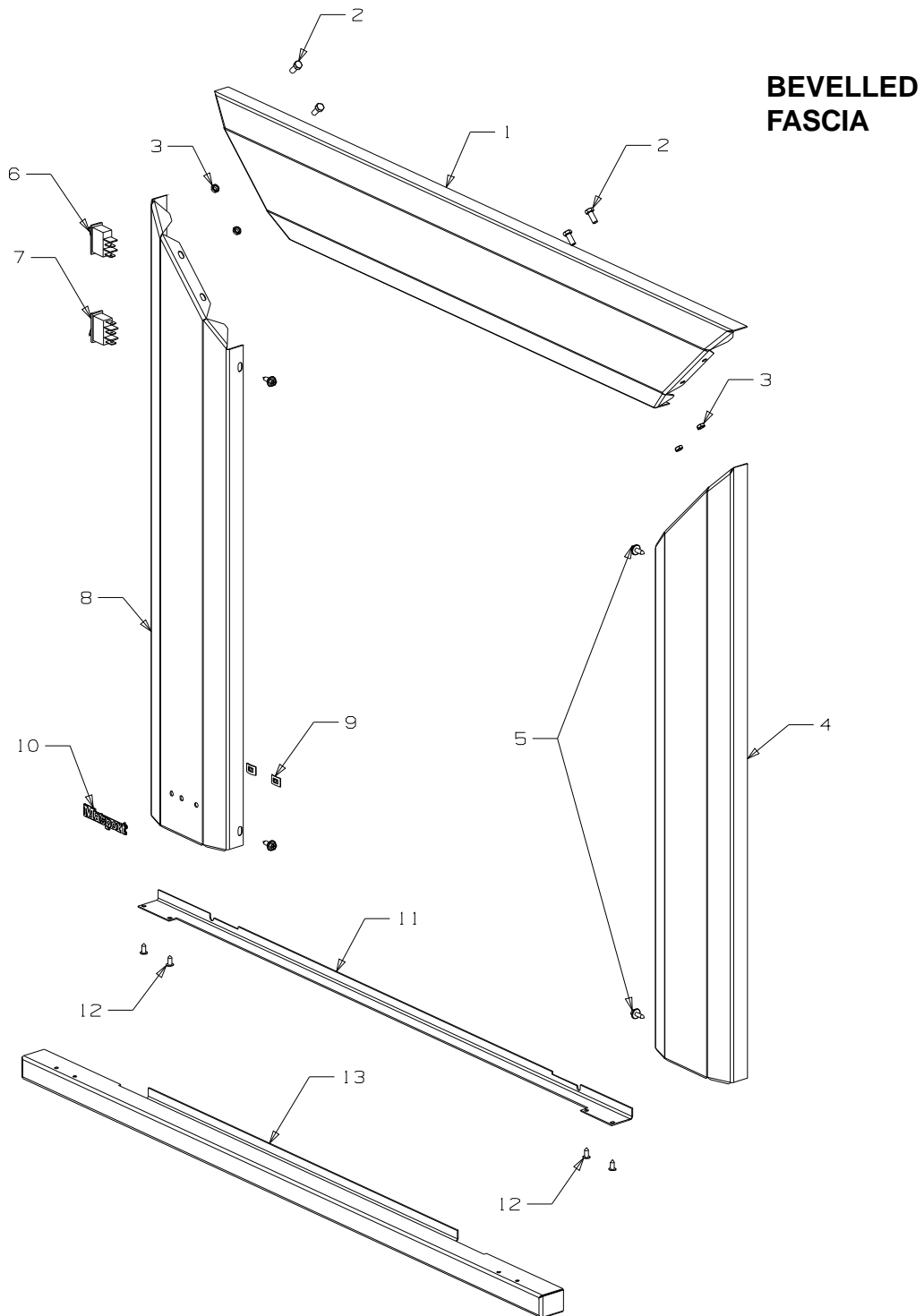


Item No	Part No	Description	Qty	Item No	Part No	Description	Qty
1	501857	Screw, Pan M5 x 10	1	7	503371	Washer, Fan Disc 5 ID x 10 OD	1
2	990033	Plate-Mounting, Fan	1	8	503106	Washer, Flat 5	2
3	501580	Screw, Pan M5 x 16	4	9	586732	Fan-3 Speed, Double End - Without Switch	1
4	503671	Grommet, 14mm OD xx 6mm ID	2	10	590045	Loom-Adaptor, Fan	1
5	501330	Washer, Flat 5 x 10 x 1	4				
6	581856	Nut, M5 HEX	6				

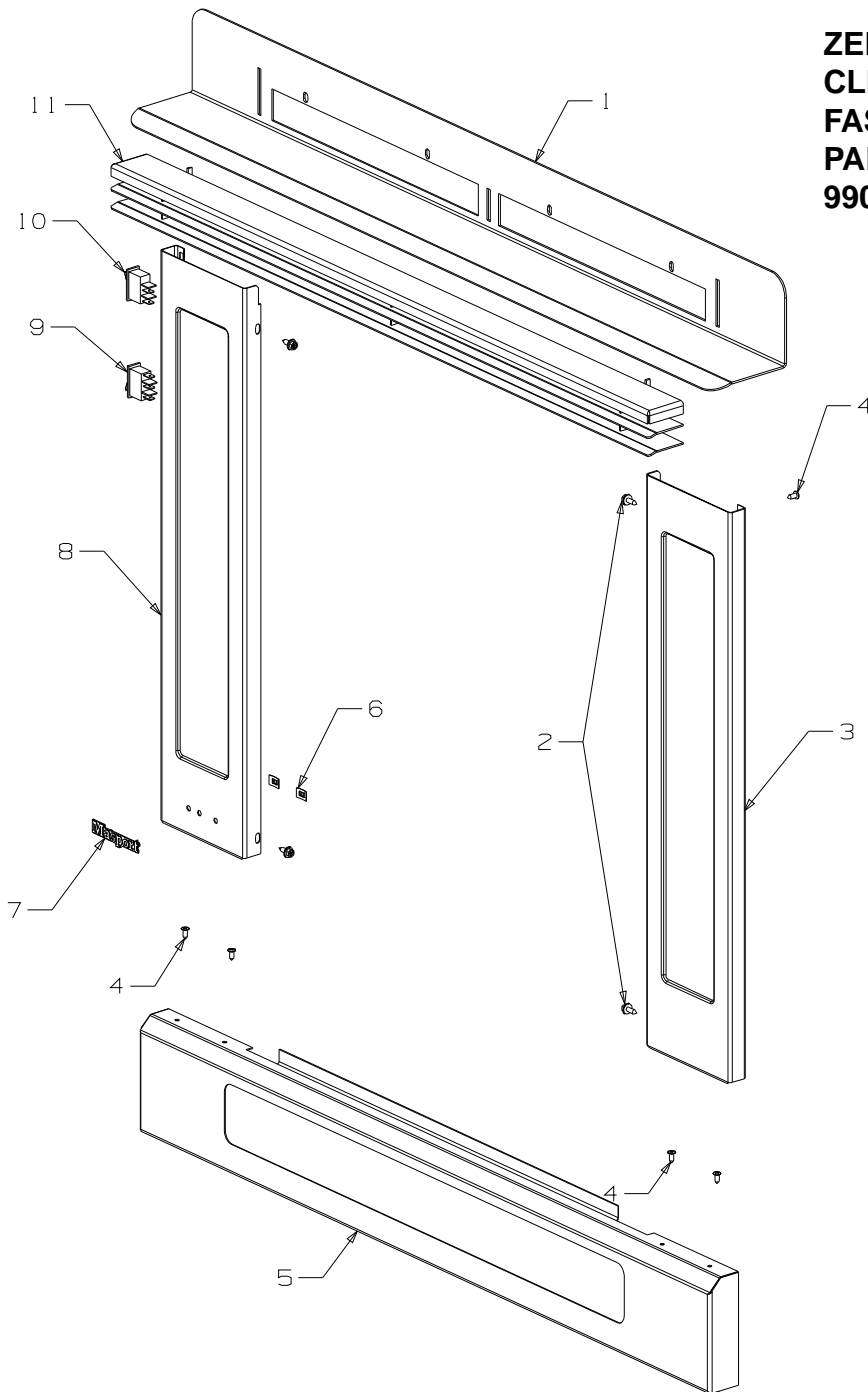


**MANTEL  
FASCIA  
PART NO.  
990902**

Item No	Part No	Description	Qty	Item No	Part No	Description	Qty
1	790032	Fascia-Top	1	5a	790122	Trim-Hearth, Mantel 25mm	1
2	503704	Screw, S/T 8 x .5	6	•	790123	Trim-Hearth, Mantel 50mm	1
3	790031	Fascia-Side, RH	1	•	790124	Trim-Hearth, Mantel 100mm	1
4	586737	Screw, S/T 8 x 10	4	6	503381	Push Fix, Spire	2
5	990077	Stiffener-Fascia	1	7	584581	Badge - Gold	1
				8	790030	Fascia-Side, LH	1
				9	503674	Switch-Fan, On/Off	1
				10	503260	Switch-Burner, On/Off	1



Item No	Part No	Description	Qty	Item No	Part No	Description	Qty
1	790117	Fascia-Top	1	9	503381	Push Fix, Spire	2
2	501058	Screw, Set M5 x 12	4	10	584581	Badge - Gold	1
3	501856	Nut, M5 Hex	4	11	990054	Stiffener-Fascia	1
4	790107	Fascia-Side, RH	1	11a	790108	Trim-Hearth, Flush 25mm	1
5	503704	Screw, S/T 8 x .5	6	•	790080	Trim-Hearth, Flush 50mm	1
6	503260	Switch-Burner, On/Off	1	•	790118	Trim-Hearth, Flush 100mm	1
7	503674	Switch-Fan, On/Off	1	12	586737	Screw, S/T 8 x .5	6
8	790105	Fascia-Side, LH	1				



**ZERO  
CLEARANCE  
FASCIA  
PART NO  
990911**

Item No	Part No	Description	Qty	Item No	Part No	Description	Qty
1	790032	Fascia-Top	1	7	584581	Badge - Gold	1
2	503704	Screw, S/T 8 x .5	10	8	790030	Fascia-Side, LH	1
3	790031	Fascia-Side, RH	1	9	503674	Switch-Fan, On/Off	1
4	586737	Screw, S/T 8 x 10	6	10	503260	Switch-Burner, On/Off	1
5	990159	Trim-Fascia	1	11	990158	Louvre Assy-Top	1
6	503381	Push Fix, Spire	2				



Part No	Description	Qty
<b>NOT ILLUSTRATED</b>		
<b>586212</b>	Paint, Touch Up - Metallic Black	<b>1</b>
<b>590040</b>	Rockwool-Bag 1 oz.	<b>1</b>
<b>503652</b>	Retainer Cable-Jet Press	<b>1</b>
<b>590076</b>	Lead-Piezo, 4mm to 2.4mm x 260	<b>1</b>
<b>588666</b>	Embers-Medium Coals	<b>1</b>
<b>790405</b>	Top Loading Pilot Conversion Kit	<b>1</b>
<b>590041</b>	Owners Manual	<b>1</b>