

Masport®

FREESTANDING GAS FIRES

HAMPTON ECS

Part
Number

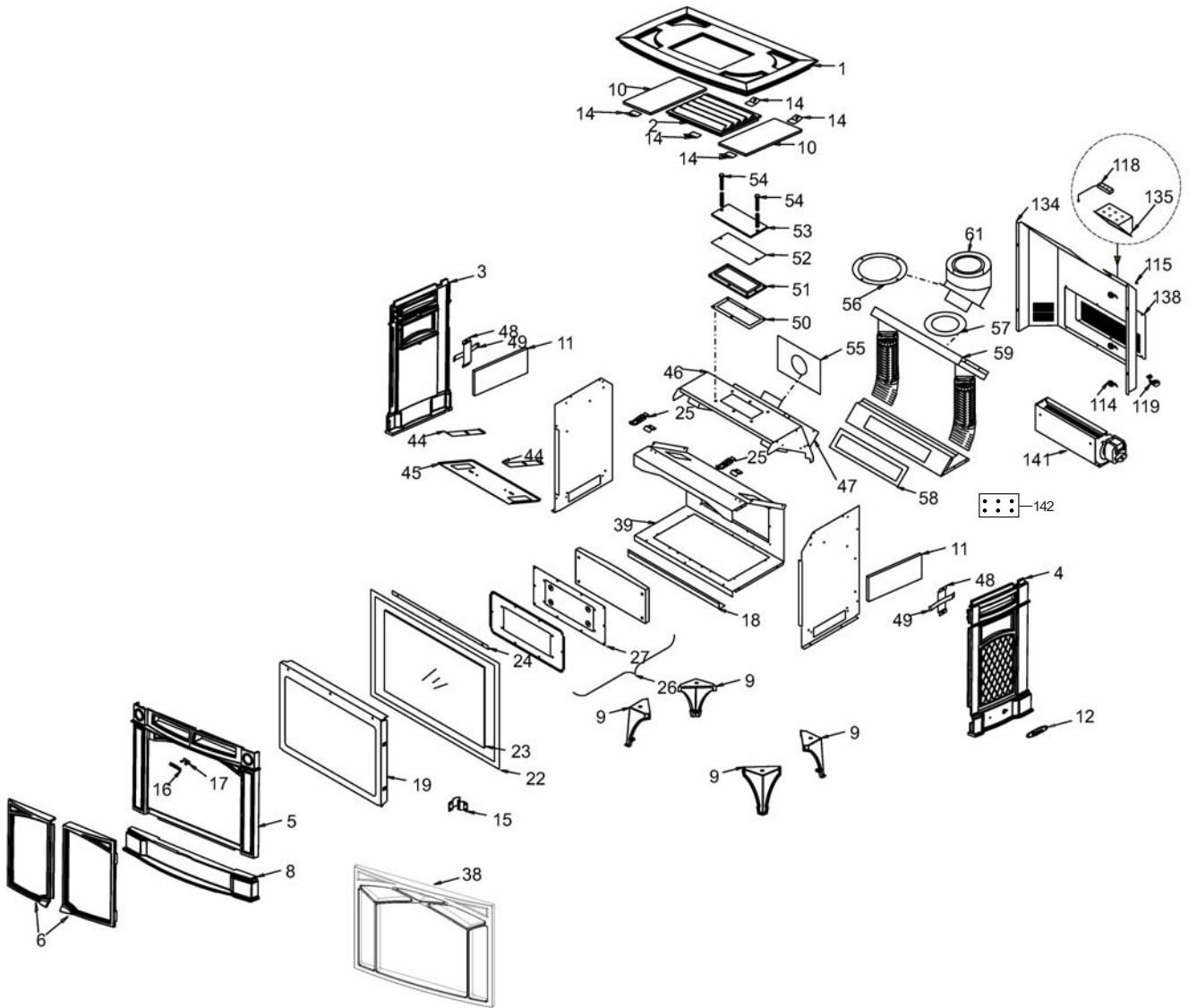
Hampton ECS

Natural Gas/LPG

HG355NG-M

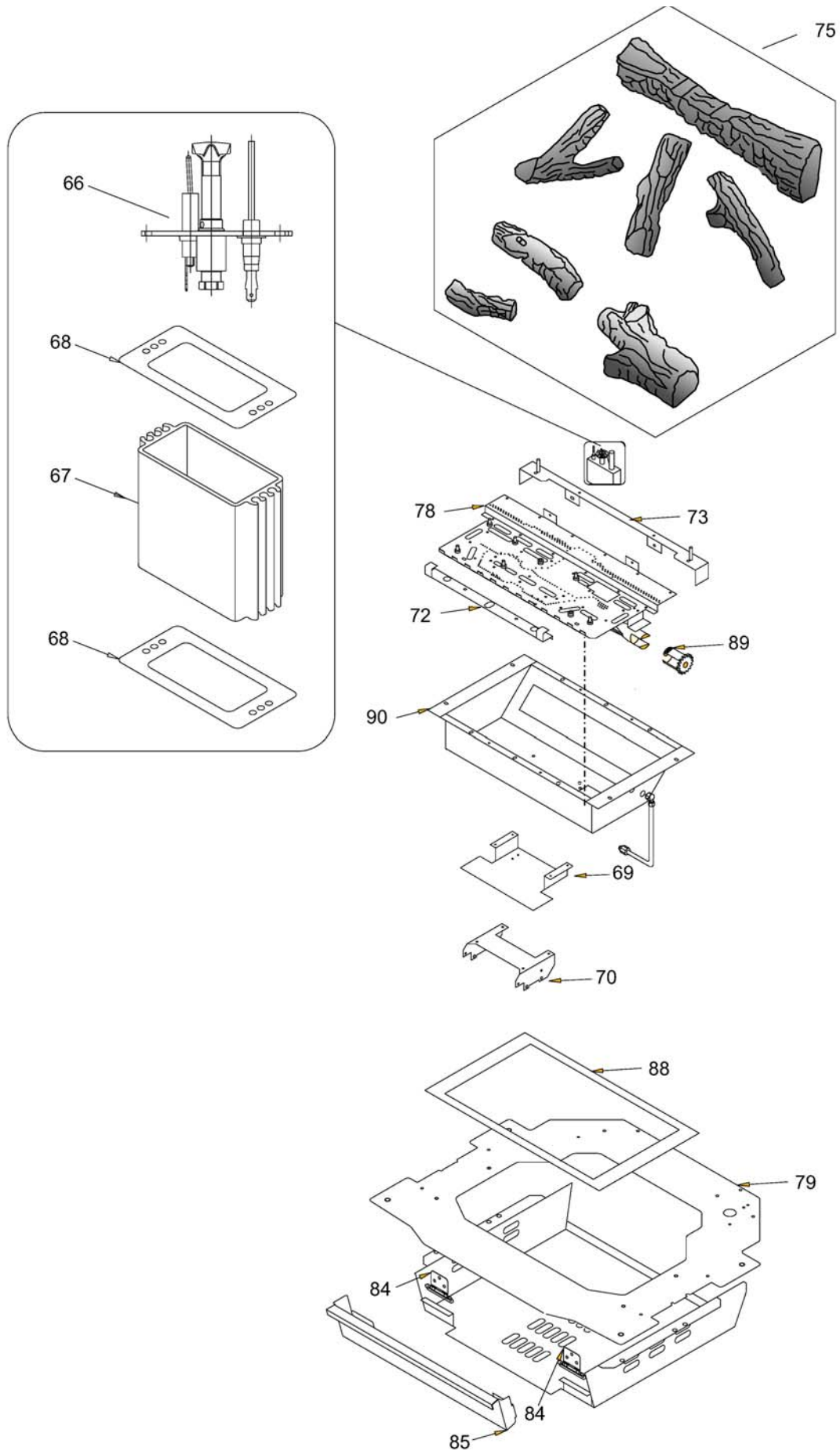
Metallic Paint Finish







| Item No | Part No | Description | Item No | Part No | Description |
|---------|-----------|-------------------------------|---------|-----------|---|
| 1 | 942-305 | Casting - Top | | | - Transition Box/Air Passage |
| 2 | 942-315 | Casting - Top Grill | 56 | W842051 | Gasket - Upper Air Passage Top |
| 3 | 942-325 | Casting - Left Side | 57 | W260108 | Gasket |
| 4 | 942-335 | Casting - Right Side | | | - Upper Air Passage Bottom |
| 5 | 942-345 | Casting - Front | 58 | 630-009 | Gasket - Lower Air Passage |
| 6 | 740-935 | Casting - Double Door | 59 | * | Upper Air Passage Assy |
| 8 | 942-375 | Casting - Bottom Skirt | 61 | 945F | Direct Vent Adaptor Rear Panel Assembly |
| 9 | 942-385 | Casting - Leg | | | |
| 10 | 942-395 | Casting - Insert Plate - Top | 114 | * | Wire Tie Wrap |
| 11 | 942-405 | Casting - Insert Plate - Side | 115 | * | Wire Tie Mount Button |
| 12 | 948-217 | Masport Logo Plate | 118 | 910-087 | High Temperature Wire Harness - Fan End |
| 14 | 740-062 | Top Insert Bracket | | | |
| 15 | 904-209 | Concealed Hinge | 119 | * | Grommet for Power Cord |
| 16 | 740-069 | Cast Door Catch - Top | 134 | 746-007 | Rear Panel |
| 17 | 740-067 | Cast Door Catch - Lower | 135 | 746-005 | Rear Control Panel |
| | 740-542 | Front Door Assembly | 138 | 630-021F | Fan Access Panel |
| 18 | 740-051 | Door Support | | 918-356 | Decal-Rear Control Panel |
| 19 | 740-055 | Door Frame | | 560-519/P | Fan Assembly (Option) |
| 22 | 41225 | Gasket - Tadpole | 141 | 910-169/P | Fan Blower |
| 23 | 940-324/P | Replacement Glass | 142 | 910-527 | Switch |
| 24 | 740-056 | Glass Bracket | | 910-528 | Loom-Switch |
| 25 | 948-255 | Latch | | 910-714 | Power Cord (240 V) |
| 26 | 740-548 | Relief Door Assembly | | 918-365 | Manual |
| 27 | 740-059 | Gasket - Mounting Relief | | * | Not available as a replacement part. |
| 38 | 740-925 | Front Grill | | | |
| 39 | * | Firebox | | | |
| | | Baffle Restrictor Assembly | | | |
| 44 | 730-029 | Restrictor | | | Top Relief Door Assembly |
| 45 | 740-048 | Baffle for Firebox | 50 | W260260 | Top Relief Frame Gasket |
| 46 | * | Heat Exchanger Assy | 51 | 942-117 | Top Relief Frame |
| 47 | * | Transition Box Assy | 52 | W260280 | Top Relief Plate Gasket |
| 48 | 740-061 | Side Insert Bracket | 53 | 770-066F | Top Relief Plate |
| 49 | 740-063 | Side Insert Spring | 54 | * | Capscrew 1/4 x 1-3/4 NC |
| 55 | * | Gasket | | | |

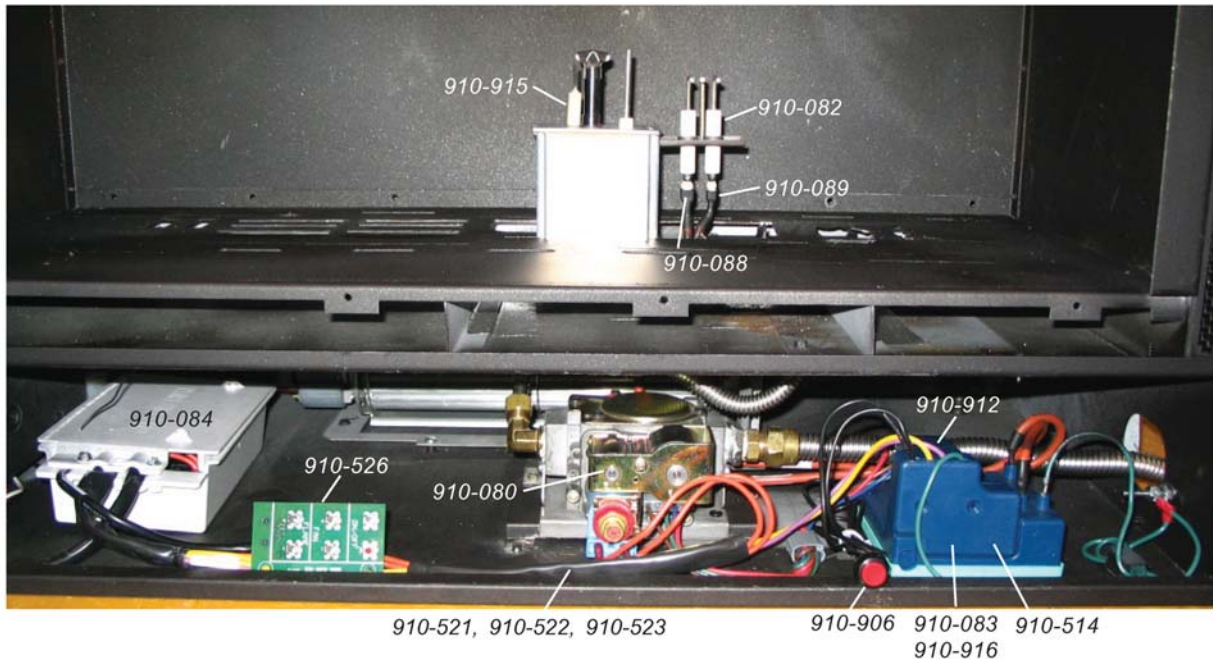




| Item No | Part No | Description | Item No | Part No | Description |
|-----------|----------------|----------------------------|-----------|----------------|-------------------------------|
| | | Valve Assembly Sigma - NG | | 740-572 | Ember Package |
| | | Valve Assembly Sigma - LPG | 78 | 746-525 | Burner Assy |
| | 904-689 | #33 Orifice - NG | 79 | * | Base Plate |
| | 904-645 | #51 Orifice - LPG | 84 | 948-042 | Hinge of Valve |
| | 904-390 | #52 ULPG | | | Access Door |
| | 936-170 | Orifice Gasket | 85 | 260-056 | Valve Access Door |
| 67 | 730-041 | Pilot Holder | 88 | 630-008 | Burner Tray Firebox Gasket |
| 68 | W840470 | Pilot Assembly Gasket | 90 | * | Burner Box |
| 69 | * | Valve Shield | | 740-969 | Conversion Kit from NG to LPG |
| 70 | * | Valve Bracket | | | |
| 72 | * | Front Support | | * | Not available as |
| 73 | 730-528 | Rear Log Bracket Assy | | | a replacement part |
| 75 | 402-935 | Log Set | | | |

Masport®

ELECTRONIC COMPONENTS FOR GENEVA'S (FG37, FG38, FG39) ROMA (PG33), GRANADA/CALAIS (PG36), NEWPORT (PG121), NEWPORT PIER (PG131) HAMPTON (HG35)



| | FG37 | FG38 | FG39 | PG33 | PG36 | HG35 | PG121/PG131 |
|---|------|------|------|------|------|------|-------------|
| 910-909 Fan Resistor | ✓ | ✓ | ✓ | ✓ | ✓ | ✓ | ✓ |
| 910-915 Intermittent Pilot | ✓ | N/A | ✓ | ✓ | ✓ | ✓ | ✓ |
| 910-082 Direct Spark Ignitor | N/A | ✓ | N/A | N/A | N/A | N/A | N/A |
| 910-089 Flame Cable | ✓ | ✓ | ✓ | ✓ | ✓ | ✓ | ✓ |
| 910-088 Spark Cable | ✓ | ✓ | ✓ | ✓ | ✓ | ✓ | ✓ |
| 910-084 Control Box | ✓ | ✓ | ✓ | ✓ | ✓ | ✓ | ✓ |
| 910-527 & 910528 | ✓ | ✓ | ✓ | N/A | N/A | ✓ | N/A |
| 910-080 Valve | ✓ | ✓ | ✓ | ✓ | ✓ | ✓ | ✓ |
| 910-521 Control Box Cable (1) 910-522 Control Box Cable (2) 910-523 Control Box Cable (3) | (2) | N/A* | (2) | (2) | (1) | (2) | (3) |
| 910-912 Ignition Module to Valve Cable | N/A | N/A | N/A | ✓ | ✓ | ✓ | ✓ |
| 791412 Reset Switch | ✓ | N/A | ✓ | ✓ | ✓ | ✓ | ✓ |
| 910-083 Ignition Module (1) 910-022 Ignition Module (2) | (2) | (1) | (2) | (2) | (2) | (2) | (2) |
| 910-514 Jumper | ✓ | N/A | ✓ | ✓ | ✓ | ✓ | ✓ |

* Note: The Control Box Cable wires for the FG38 come separately: 910-502, 910-505, 910-506, 910-507, 910-509