

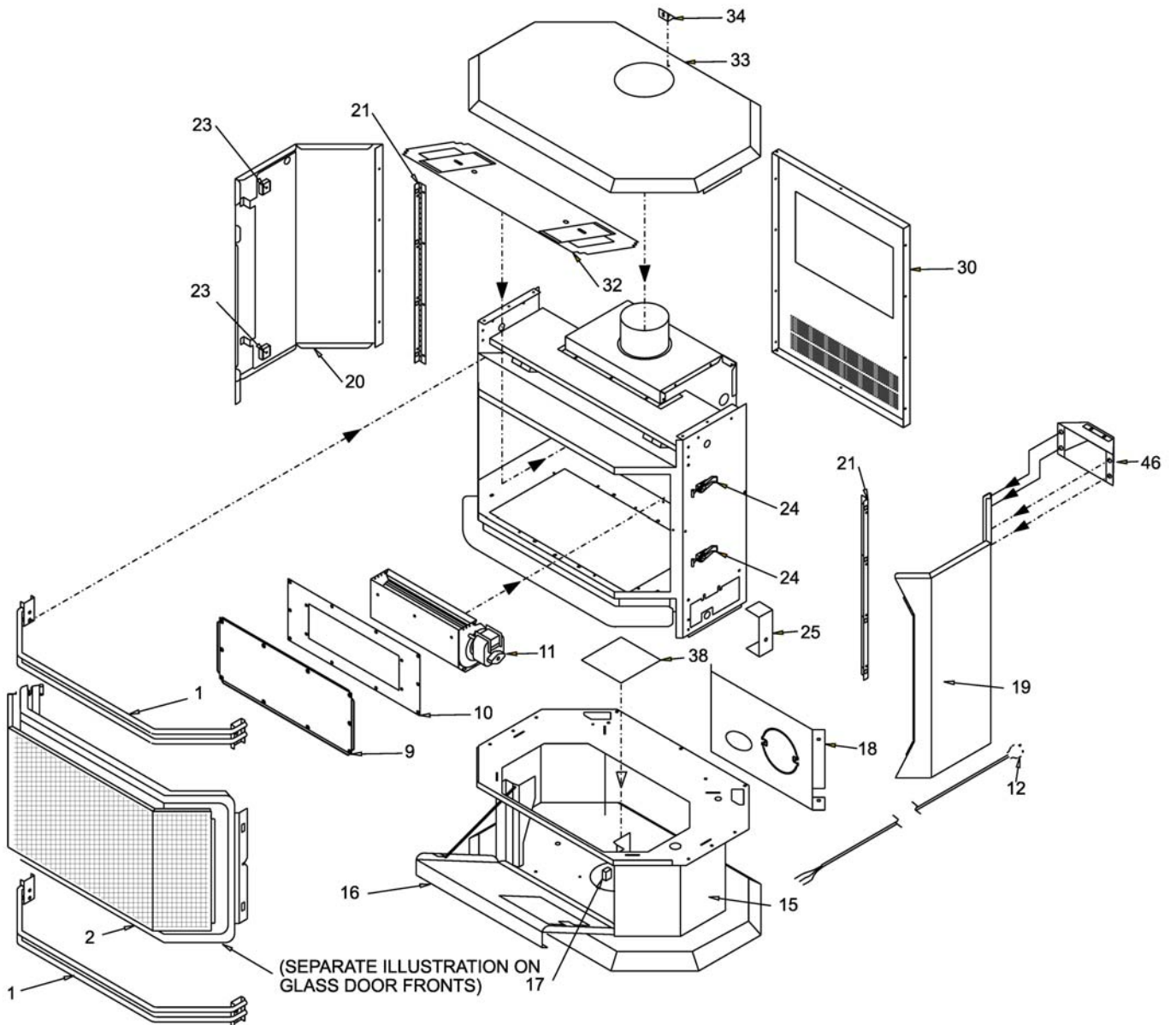
Masport®

FREESTANDING GAS FIRES

GENEVA G38 ECS

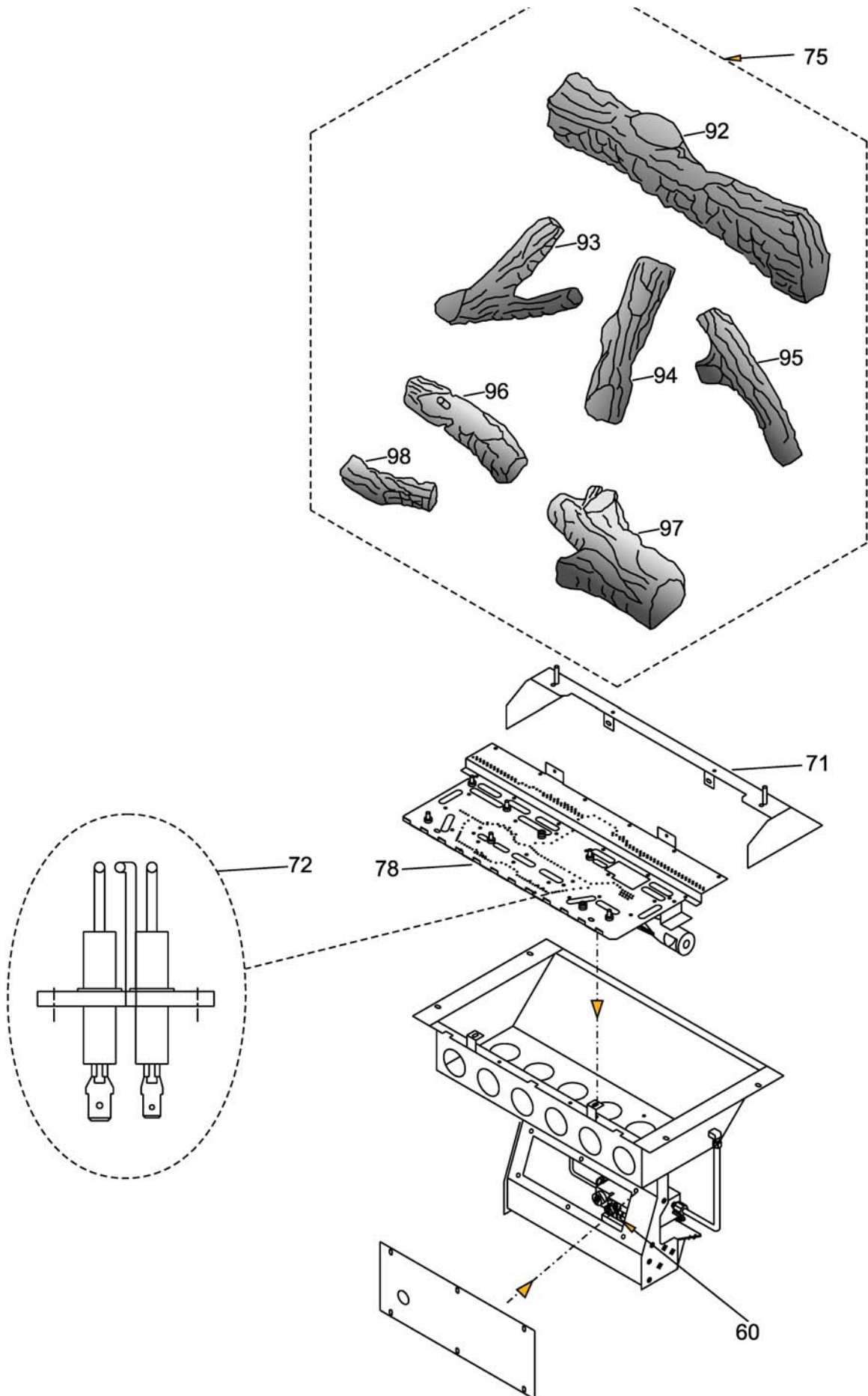
			NZ	AUST
Part Numbers	Geneva G38 ECS	Natural Gas/LPG	G38NG1-BMN	G38NG1-BMA





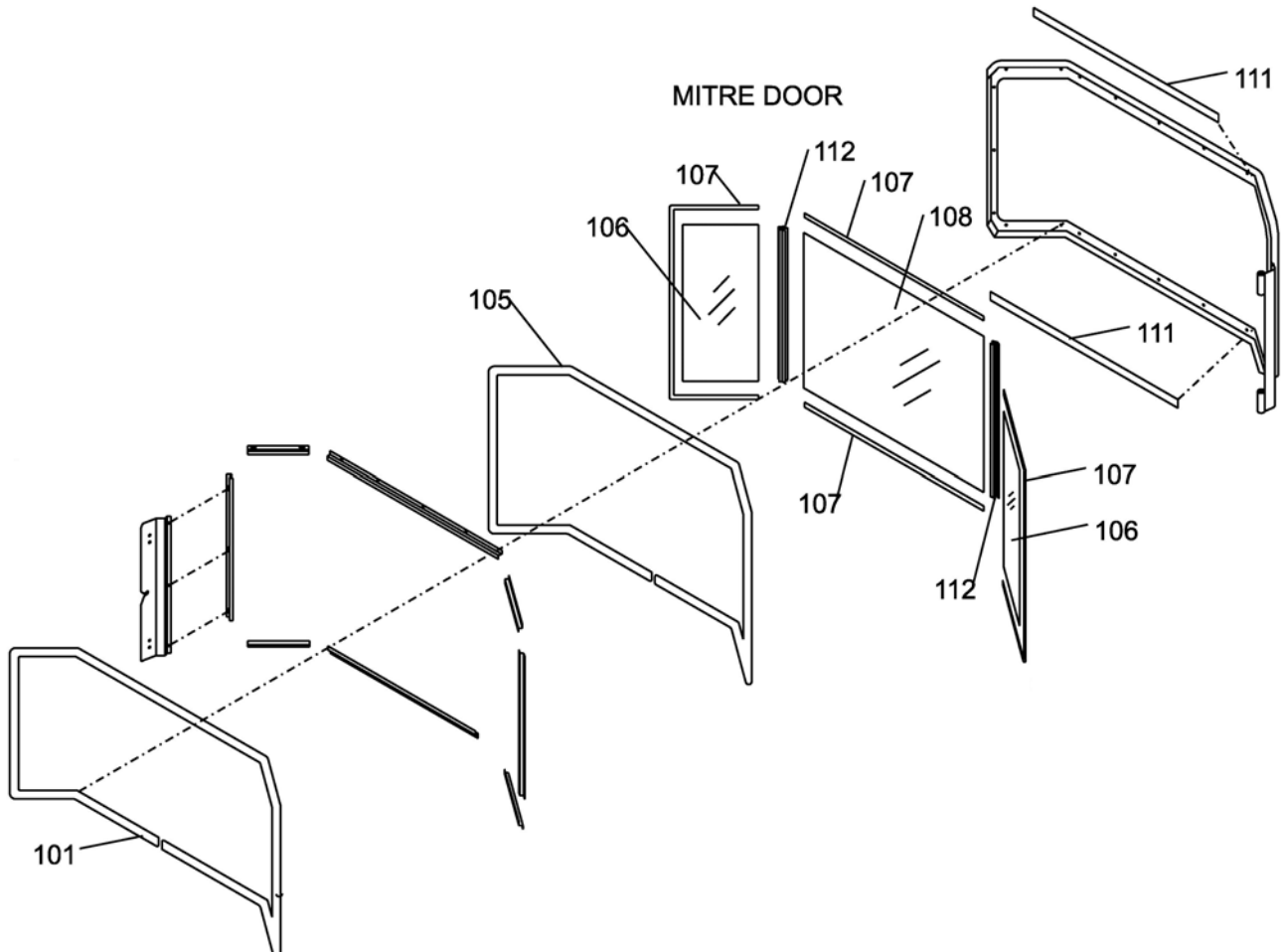


Item No	Part No	Description	Item No	Part No	Description
1	560-920	Top / Bottom Gold Louvre (Set)	24	948-255	Door Latch c/w Hook
	560-922	Top / Bottom Black Louvre (Set)	25	750-095	Door Hold Down Bracket
2	750-532	Safety Screen (Australia only)	30	750-026	Rear Panel
9	750-040	Fan Access Door	32	730-028	Firebox Baffle
10	750-074	Gasket for Fan Access Door	33	560-535	False Top Assembly
	560-519/P	Fan Assembly	34	590-273	Flue Attachment Bracket
11	910-169/P	Fan Motor (240 Volt)	35	590-930	Ult. 6" Flue Collar (Optional)
12	910-714	Power Cord (240 Volt)	38	820-058F	Pedestal Base Cover
15	*	Pedestal Assembly	46	750-083	Rear Control Panel
16	730-039	Pedestal Door		910-527	Switch
17	904-257	Pedestal Door Magnet		910-528	c/w Wire Harness
18	750-084	Pedestal Back		756-969	Conversion Kit - to LPG
19	756-518	Side Panel Door Assy (Right Side)		948-217	Logo Plate
20	756-520	Side Panel Door Assy (Left Side)		918-244	Manual
21	560-031	Hinge for Side Panel			
23	904-258	Side Panel Door Magnet		*	Not available as a replacement part.





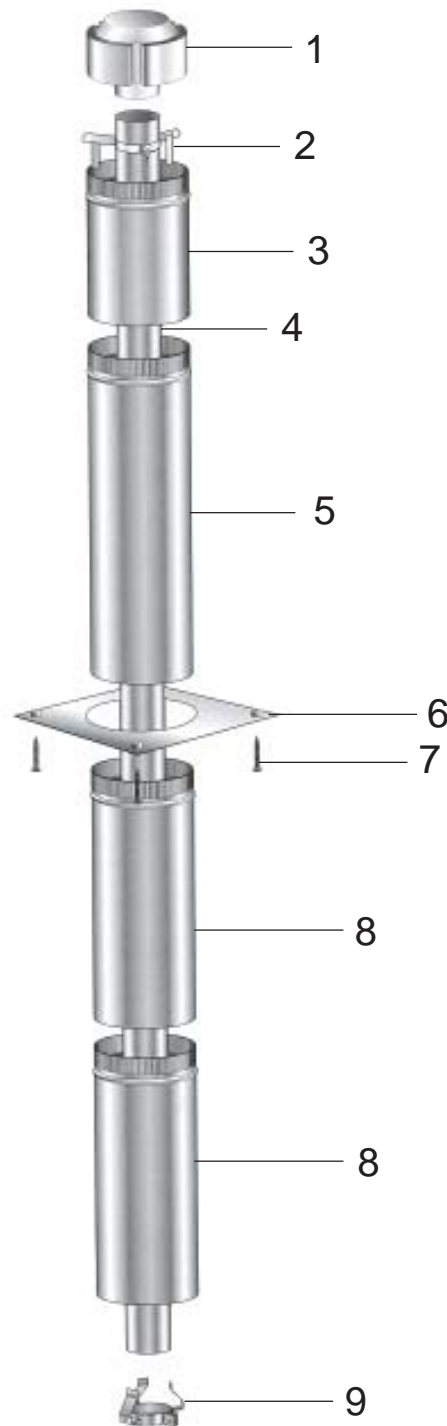
Item No	Part No	Description	Item No	Part No	Description
	756-527/P	Valve Assembly - NG		910-088	Wire ECS Module Spark (Red)
	756-529/P	Valve Assembly - LPG		910-089	Wire ECS Module Flame (Red)
60	910-080	Valve Sigma 845 - NG		910-906	Switch Push Button Reset ECS
	910-081	Valve Sigma 845 - LPG		910-086	Remote Control - ECS (optional)
	904-689	#33 Orifice - NG at 38 mj.	92	902-267	Rear Log
	904-390	#52 Orifice - LPG at 31 mj.	93	902-231	Left Top Log
71	752-528	Rear Log Bracket Assy	94	902-232	Center Log
72	910-082	Ignition Direct Spark Assy - NG/LPG	95	902-226	Middle Right Log
75	730-935	Log Set	96	902-230	Middle Left Log
78	752-550	Burner Assy - NG/LPG	97	902-229	Front Right Log
	910-083	Module Sit 230V	98	902-228	Front Left Log
	910-084	Control Box ECS	*		Not available as a replacement part.



Item No	Part No	Description	Item No	Part No	Description
	730-924	Gold Mitred Door - Complete	108	940-322/P	Centre Glass
	730-926	Black Mitred Door - Complete	111	*	Door Frame Fibre Paper
101	650-920	Door Gasket Kit	112	750-015	Door Glass Extrusion
105	*	Ceramic Paper		*	Not available as a replacement part.
106	940-323/P	Side Glass			
107	936-243	Glass Gasket			



Freestanding B Vent Gas Flue Kit - Black



NZ ONLY

Flue Kit Part Number: 588656

Item No	Part No	Description	Qty	Item No	Part No	Description	Qty
1	551484	Cowl-Anti Down Draught - 100mm	1	5	588672	Kit-Extension-Roof (Unpainted)	1
2	556095	Bracket-Top Flue Spacer	1	6	551504	Ceiling Plate - Black	1
3		NOT AVAILABLE	1	7		NOT AVAILABLE	
4	551482	Flue Length - 100mm x 1200mm - Stainless Steel		8	588677	Kit-Extension-Room (Painted)	1
				9	551491	Spacer-Flue	1

When ordering PLEASE QUOTE PART NUMBER & Description, NOT Illustration No.
Determine right or left hand side from standing in viewing position



Freestanding B Vent Gas Flue Kit - Black

Based on Flo-met flue systems - for other flue systems, contact flue manufactures



AUST ONLY

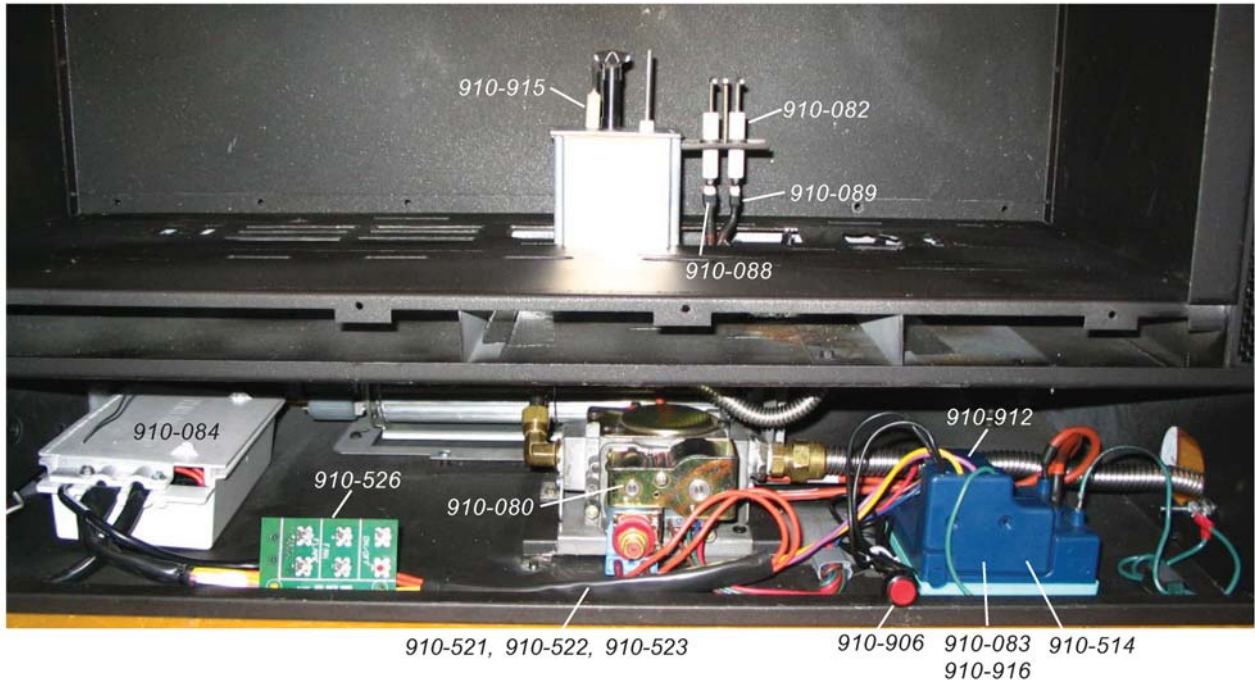
Flue Kit Part Number: 552323

Item No	Part No	Description	Qty	Item No	Part No	Description	Qty
1	556681	Cowl -B Vent	1	4	556680	Ceiling Plate - Black	1
2	586097	Flue Length - 900mm - Galvanised	1	5	552330	Kit-Extension-Room (Painted)	1
3	552331	Extension Kit - 900mm (Unpainted)	1				

When ordering PLEASE QUOTE PART NUMBER & Description, NOT Illustration No.
Determine right or left hand side from standing in viewing position

Masport®

ELECTRONIC COMPONENTS FOR GENEVA'S (FG37, FG38, FG39) ROMA (PG33), GRANADA/CALAIS (PG36), NEWPORT (PG121), NEWPORT PIER (PG131) HAMPTON (HG35)



	FG37	FG38	FG39	PG33	PG36	HG35	PG121/PG131
910-909 Fan Resistor	✓	✓	✓	✓	✓	✓	✓
910-915 Intermittent Pilot	✓	N/A	✓	✓	✓	✓	✓
910-082 Direct Spark Ignitor	N/A	✓	N/A	N/A	N/A	N/A	N/A
910-089 Flame Cable	✓	✓	✓	✓	✓	✓	✓
910-088 Spark Cable	✓	✓	✓	✓	✓	✓	✓
910-084 Control Box	✓	✓	✓	✓	✓	✓	✓
910-527 & 910528	✓	✓	✓	N/A	N/A	✓	N/A
910-080 Valve	✓	✓	✓	✓	✓	✓	✓
910-521 Control Box Cable (1)					(1)		
910-522 Control Box Cable (2)	(2)	N/A*	(2)	(2)		(2)	
910-523 Control Box Cable (3)							(3)
910-912 Ignition Module to Valve Cable	N/A	N/A	N/A	✓	✓	✓	✓
791412 Reset Switch	✓	N/A	✓	✓	✓	✓	✓
910-083 Ignition Module (1)		(1)					
910-022 Ignition Module (2)	(2)		(2)	(2)	(2)	(2)	(2)
910-514 Jumper	✓	N/A	✓	✓	✓	✓	✓

* Note: The Control Box Cable wires for the FG38 come separately: 910-502, 910-505, 910-506, 910-507, 910-509