

Masport®

FREESTANDING GAS FIRES

ULTIMATE - F38 & GENEVA - F38 Natural Gas/LPG (New Zealand/Australia)

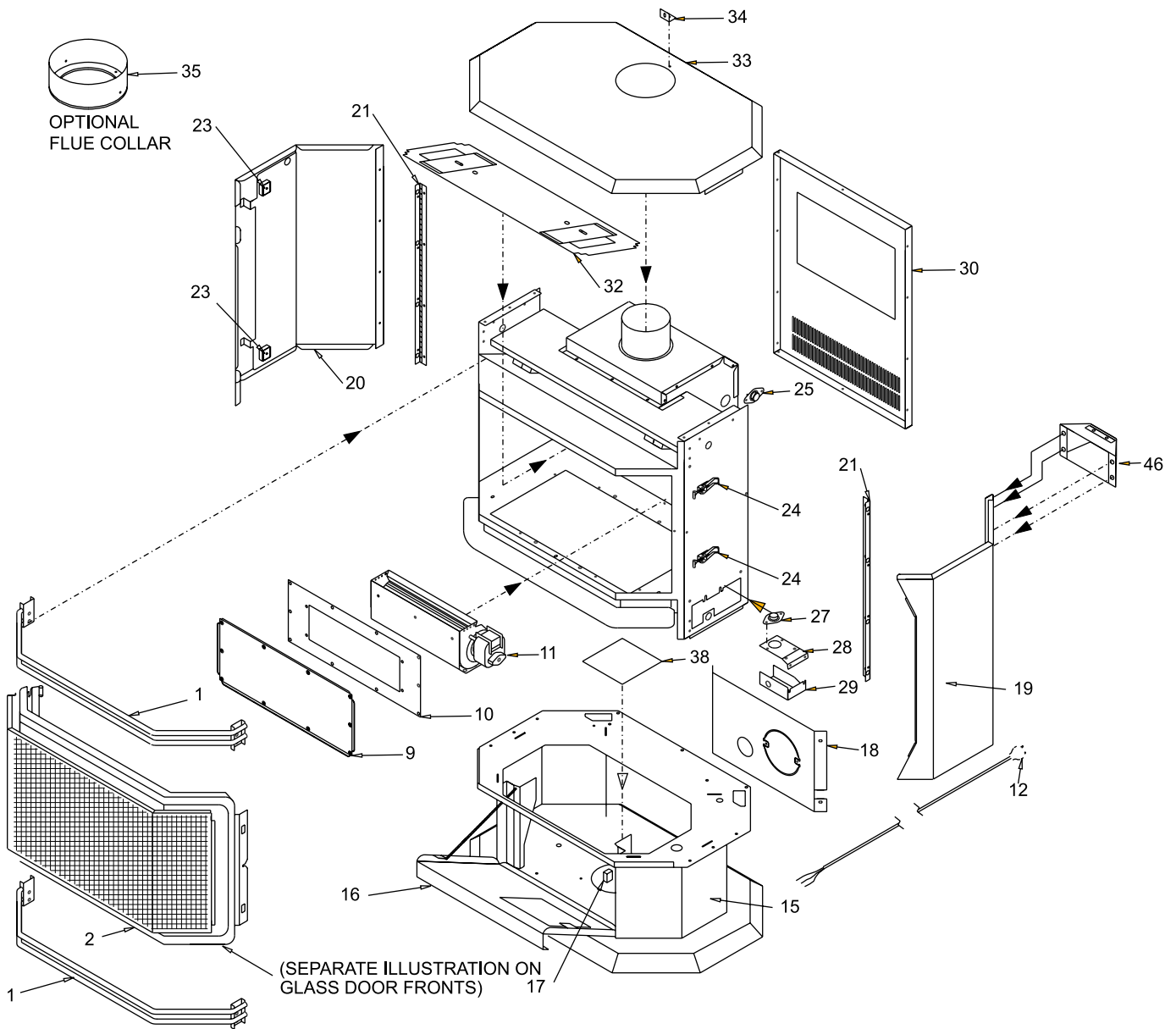
| | | Door | NZ | AUST |
|--------------|-------------|------------|-----------|------------------------|
| Part Numbers | Natural Gas | Black Gold | F38NG-BMN | F38NG-BMA F38NG-GMA |
| | LPG | Black Gold | F38NG-BMN | FPI2005 FPI2006 |





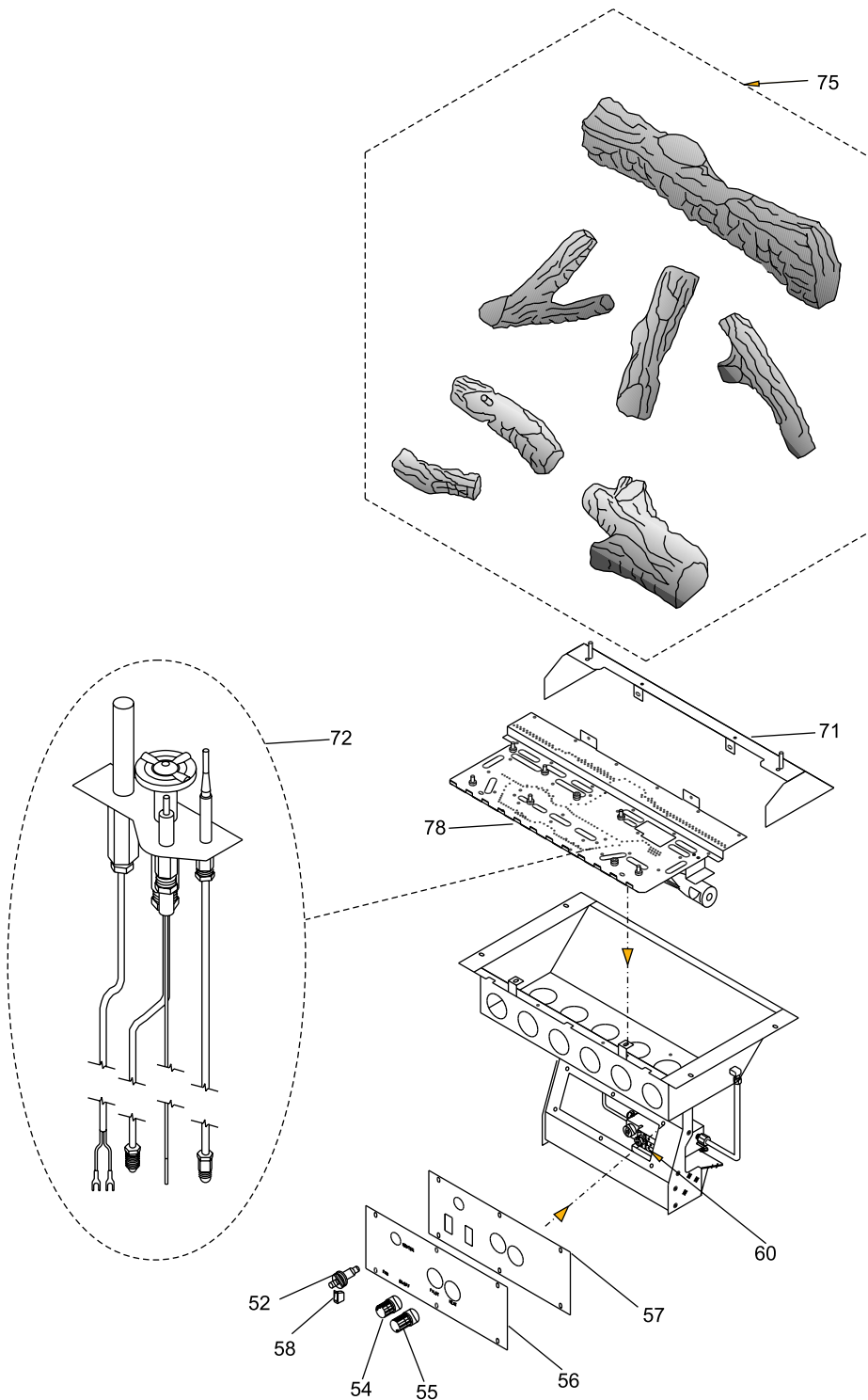
Masport®

**ULTIMATE /
GENEVA
NG/LPG**



| Item No | Part No | Description | Item No | Part No | Description |
|---------|-----------|--------------------------------|---------|---------|--------------------------------------|
| 1 | 560-920 | Top/Bottom Gold Louvre (Set) | 28 | * | Mounting Bracket - Fan Thermodisc |
| | 560-922 | Top/Bottom Black Louvre (Set) | 29 | * | Thermodisc Cover |
| 2 | 750-532 | Safety Screen (Australia only) | 30 | 750-026 | Rear Panel |
| 9 | 560-055 | Fan Access Door | 32 | 730-018 | Firebox Baffle |
| 10 | 730-034 | Gasket for Fan Access Door | 33 | 560-535 | False Top Assembly |
| | 560-519 | Fan Assembly | 34 | 590-273 | Flue Attachment Bracket |
| 11 | 910-167/P | Fan Motor (240 Volt) | 35 | 590-930 | Ult. 6" Flue Collar (Optional) |
| 12 | 910-714 | Power Cord (240 Volt) | 38 | 820-058 | Pedestal Base Cover |
| 15 | * | Pedestal Assembly | 46 | 750-067 | Rear Control Panel |
| 16 | 730-039 | Pedestal Door | | 680-969 | Conversion Kit - to Propane |
| 17 | 904-257 | Pedestal Door Magnet | | 948-217 | Logo Plate |
| 18 | 560-025 | Pedestal Back | | 918-186 | Manual |
| 19 | 756-518 | Side Panel Door Assy (RH) | | 918-088 | Decal-Control Panel |
| 20 | 756-520 | Side Panel Door Assy (LH) | | | |
| 21 | 560-031 | Hinge for Side Panel | | | |
| 23 | 904-258 | Side Panel Door Magnet | | | |
| 24 | 948-255 | Door Latch c/w Hook | | | |
| 25 | 910-250 | Spill Switch | | | |
| 27 | 910-233 | Thermodisc - Fan Auto On/Off | | | |
| | | | * | | Not available as a replacement part. |

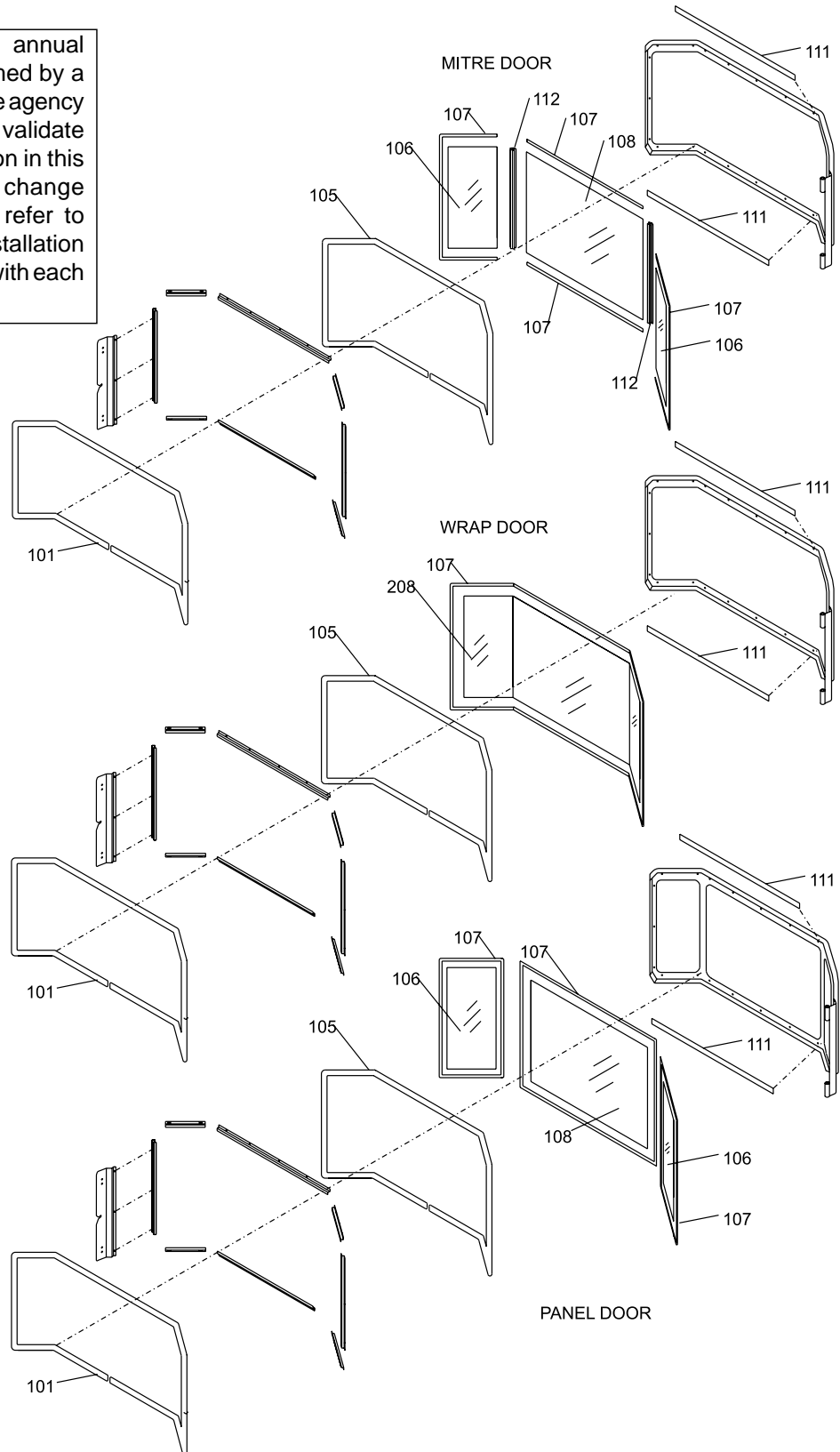
When ordering PLEASE QUOTE PART NUMBER & Description, NOT Illustration No.
Determine right or left hand side from standing in viewing position



| Item No | Part No | Description | Item No | Part No | Description |
|---------|-----------|--|---------|---------|--------------------------------------|
| 52 | 910-190 | Piezo Ignitor & Nut | 71 | 904-390 | #52 Orifice - Propane at 31 mj. |
| 54 | 910-373 | Knob - S.I.T. Valve Extension | 71 | 752-528 | Rear Log Bracket Assy |
| 55 | 910-372 | Flame Adjusting Knob | 72 | 910-034 | Pilot Assy-S.I.T. |
| 56 | 918-088 | Control Panel Decal | | 910-035 | Pilot Assy-S.I.T. |
| 57 | * | Control Panel Plate | | | - 3 flame - Propane |
| | 750-527/P | Valve Assembly - Natural Gas | 75 | 730-935 | Log Set |
| | 750-526/P | Valve Assembly - Propane | 78 | 730-550 | Burner Assy - NG/LPG |
| 60 | 910-378 | Valve S.I.T. - Natural Gas | | | |
| | 910-380 | Valve S.I.T. - Propane | | | |
| | 904-689 | #33 Orifice - Natural Gas at 38 mj. | | | |
| | | | * | | Not available as a replacement part. |



NOTE: Installation and annual service must be performed by a qualified installer, service agency or the gas supplier to validate warranty. The information in this manual is subject to change without notice. Always refer to the information in the Installation Manual that is included with each unit.



| Item No | Part No | Description | Item No | Part No | Description |
|---------|-----------|------------------------------|---------|-----------|--------------------------------------|
| | 730-924 | Gold Mitred Door - Complete | 107 | 936-243 | Glass Gasket |
| | 730-926 | Black Mitred Door - Complete | 108 | 940-322/P | Centre Glass |
| | 730-932 | Gold Wrap Door - Complete | 111 | * | Door Frame Fibre Paper |
| | 730-928 | Gold Panel Door - Complete | 112 | 750-015 | Door Glass Extrusion |
| 101 | 650-920 | Door Gasket Kit | 208 | 940-325/P | Wrap Glass |
| 105 | * | Ceramic Paper | | | |
| 106 | 940-323/P | Side Glass | | | |
| | | | * | | Not available as a replacement part. |

When ordering PLEASE QUOTE PART NUMBER & Description, NOT Illustration No.
Determine right or left hand side from standing in viewing position