

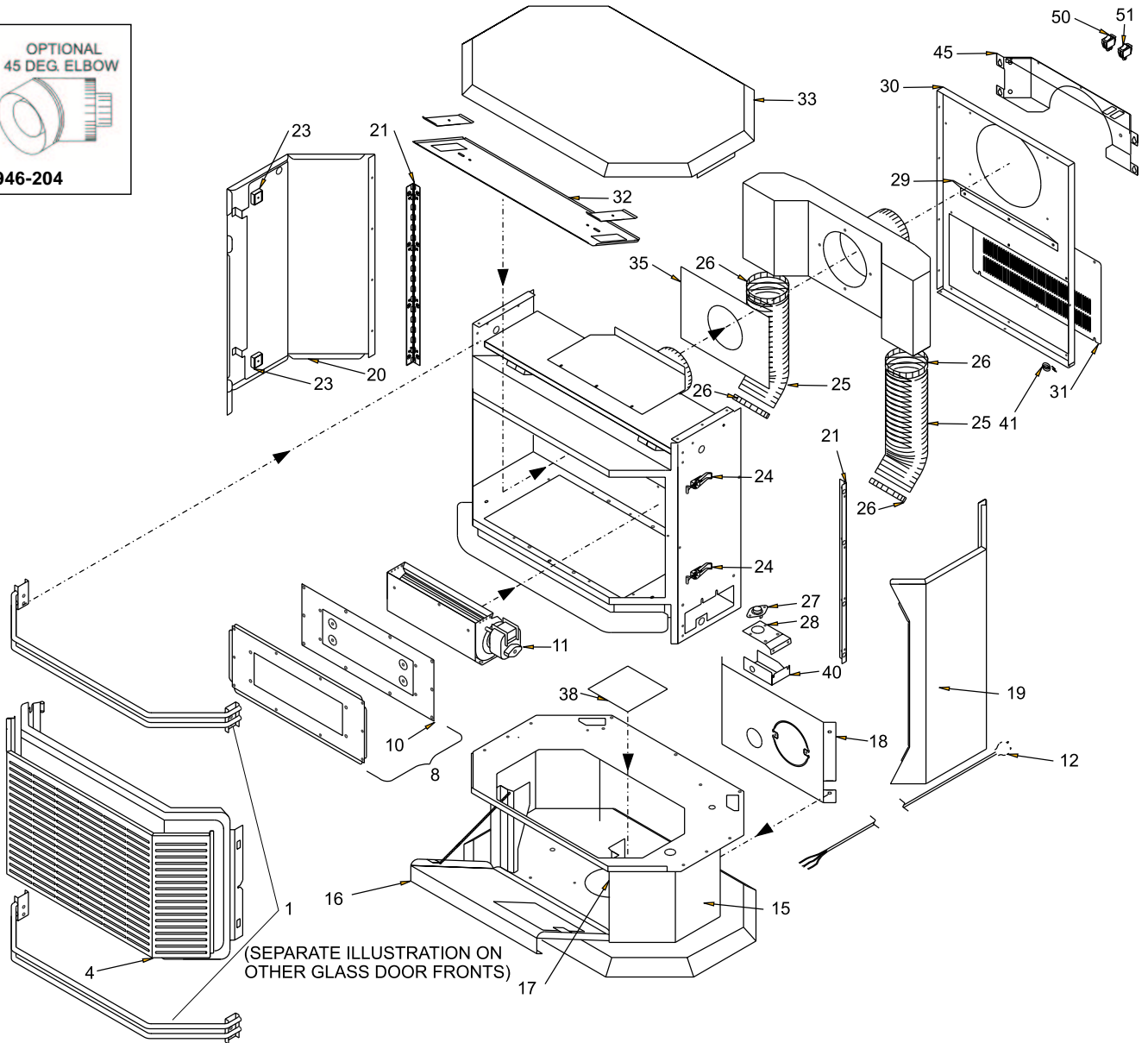
Masport®

FREESTANDING GAS FIRES

ULTIMATE - F37 & GENEVA - F37 Natural Gas/LPG (New Zealand/Australia)

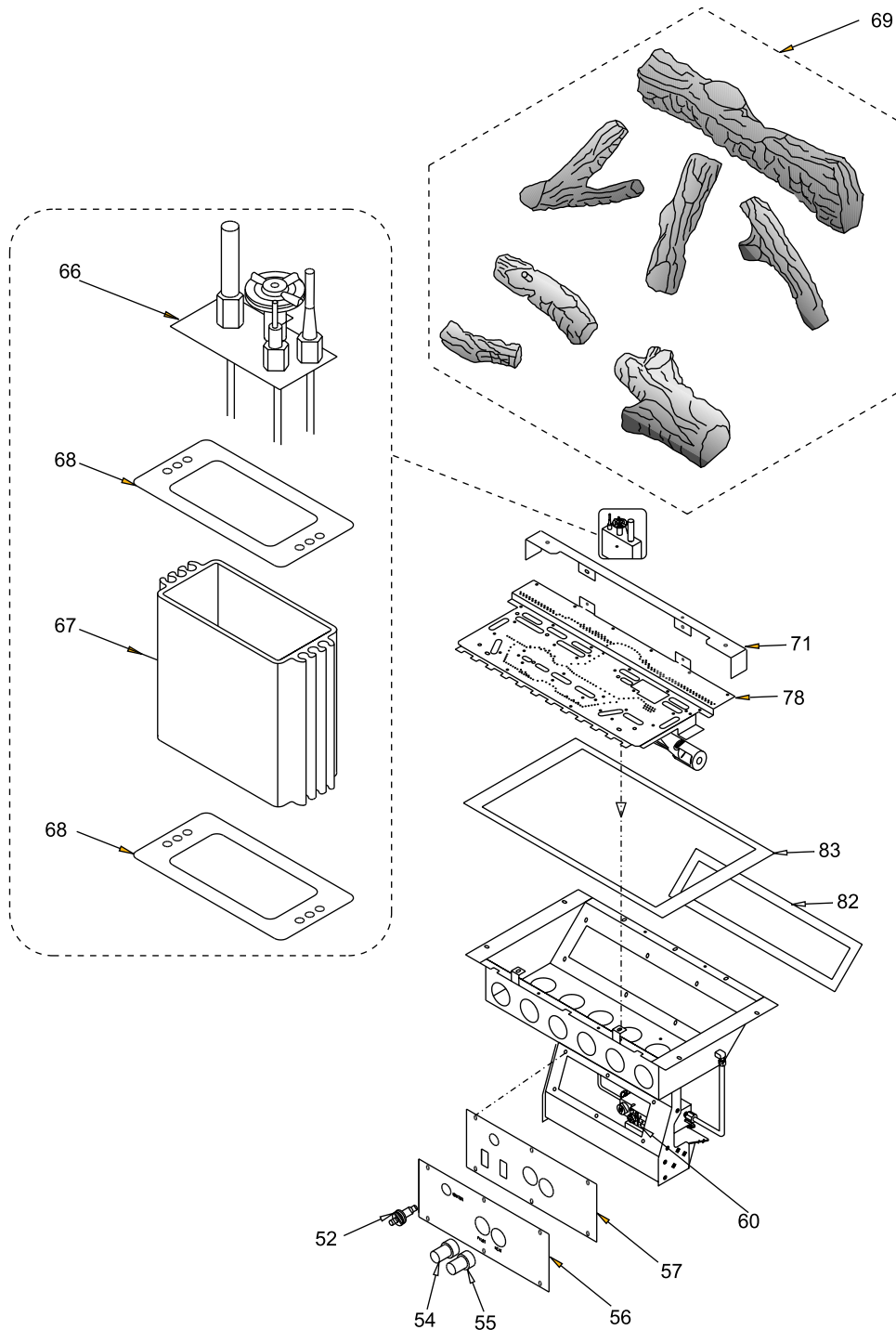
		Door	NZ	AUST
Part Numbers	Natural Gas	Black Gold	F37NG-BMN	F37NG-BMA F37NG-GMA
	LPG	Black Gold	F37NG-BMN	FPI2013 FPI2014





Item No	Part No	Description	Item No	Part No	Description
1	560-920	Louvre Assy (Set) - Gold	29	*	Air Deflector
	560-922	Louvre Assy (Set) - Black	30	680-030	Rear Panel
4	730-038	Door Screen (Australia Only)	31	630-021	Fan Access Panel
8	730-560	Relief Door Assembly	32	730-565	Firebox Baffle/Restrictor Assy
10	640-034	Mounting Plate Gasket	33	640-520	False Top Assembly
	560-519/P	Fan Assembly (240 V)	35	630-011	Air Passage Gasket
11	910-169/P	Fan Motor (240 V)	38	820-058	Pedestal Base Cover
12	910-714	Power Cord (240 V)	40	730-042	Thermodisc Cover
		Pedestal Assembly	41	904-185	Cable Tie - High Temperature
16	730-039	Pedestal Door	42	904-186	Cable Tie Mounting Button
17	904-257	Pedestal Door Magnet		910-033	Heat Resistant Sleeve
18	560-025	Pedestal Back	45	750-031	Rear Control Panel
19	730-536	Side Panel Door Assy (RH)	50	910-140	Fan Hi/Off/Low Switch
20	730-537	Side Panel Door Assy (LH)	51	910-246	Burner On/Off Switch
21	560-031	Side Panel Door Hinge		680-969	Conversion Kit - To Propane
23	904-258	Side Panel Door Magnet		948-217	Logo Plate
24	948-255	Door Latch - c/w J-Hook		918-089	Decal-Top Rear Control Panel
25	*	Flex Pipe (3" ID)		918-080	Manual
26	*	Clamp for Flex Pipe		918-088	Decal-Control Panel
27	910-233	Fan Auto On/Off Thermodisc			
28	*	Mounting Bracket-Thermodisc			
			*		Not available as a replacement part.

When ordering PLEASE QUOTE PART NUMBER & Description, NOT Illustration No.
Determine right or left hand side from standing in viewing position



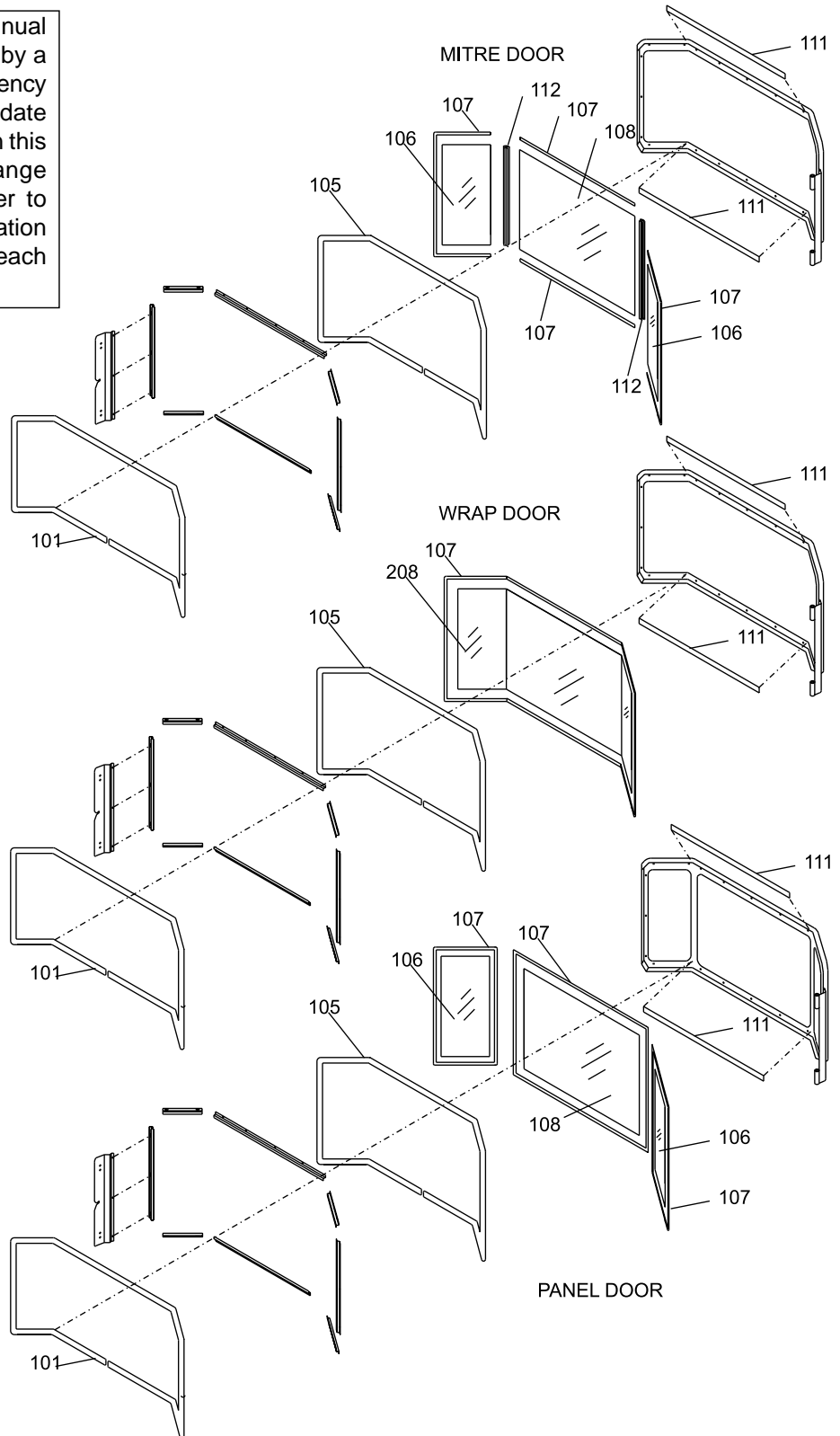
Item No	Part No	Description	Item No	Part No	Description	
52	910-190	Piezo Ignitor & Nut		910-039	Pilot Assy - S.I.T. - 3 Flame Propane	
54	910-373	Knob - Pilot Valve Extension		67	*	Pilot Holder
55	910-372	Flame Adjusting Knob		68	W840470	Pilot Assembly Gasket
56	918-088	Decal - Control Panel		69	730-935	Log Set
57	*	Switch Plate		71	730-528	Log Stand
	680-574/P	Valve Assembly - Natural Gas			904-390	Pilot Orifice #52 - Natural Gas
	680-576/P	Valve Assembly - Propane		78	730-550	Burner Assy - Natural Gas/LPG
60	910-378	Valve - S.I.T. - Natural Gas		82	630-009	Gasket - Burner Tray / Air Passage
	904-240	#37 Orifice - Natural Gas		83	630-008	Gasket - Burner Tray / Firebox
	936-170	Orifice Gasket				
66	910-038	Pilot Assy - S.I.T. - 3 Flame - Natural Gas				

* Not available as a replacement part.

When ordering PLEASE QUOTE PART NUMBER & Description, NOT Illustration No.
Determine right or left hand side from standing in viewing position



NOTE: Installation and annual service must be performed by a qualified installer, service agency or the gas supplier to validate warranty. The information in this manual is subject to change without notice. Always refer to the information in the Installation Manual that is included with each unit.



Item No	Part No	Description	Item No	Part No	Description
	730-924	Gold Mitred Door - Complete	107	936-243	Glass Gasket
	730-926	Black Mitred Door - Complete	108	940-322/P	Centre Glass
	730-932	Gold Wrap Door - Complete	111	*	Door Frame Fibre Paper
	730-928	Gold Panel Door - Complete	112	750-015	Door Glass Extrusion
101	650-920	Door Gasket Kit	208	940-325/P	Wrap Glass
105	*	Ceramic Paper			
106	940-323/P	Side Glass	*		Not available as a replacement part.

When ordering PLEASE QUOTE PART NUMBER & Description, NOT Illustration No.
Determine right or left hand side from standing in viewing position