

Masport®

FREESTANDING GAS FIRES

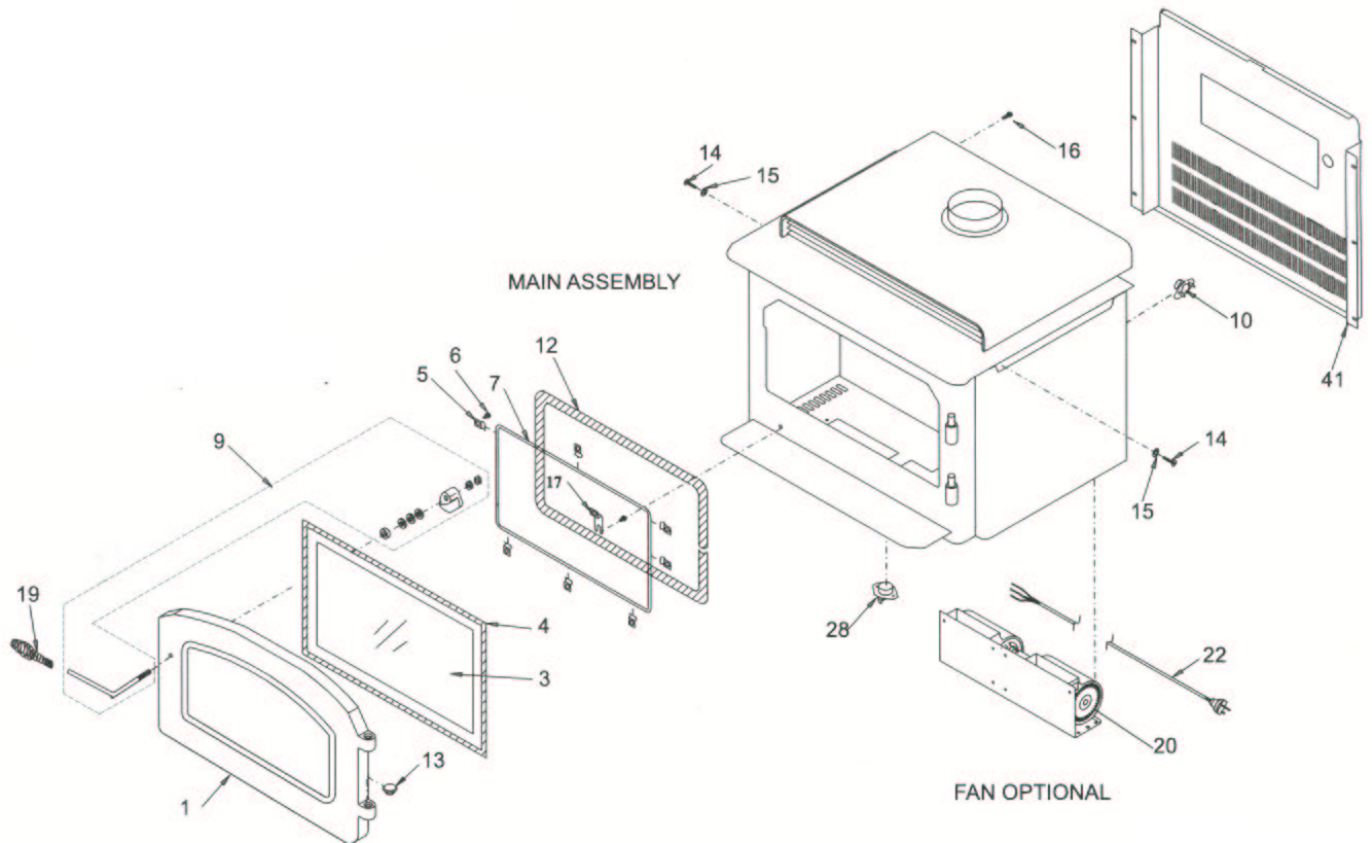
CLASSIC/VIENNA - F333-1

Natural Gas/LPG

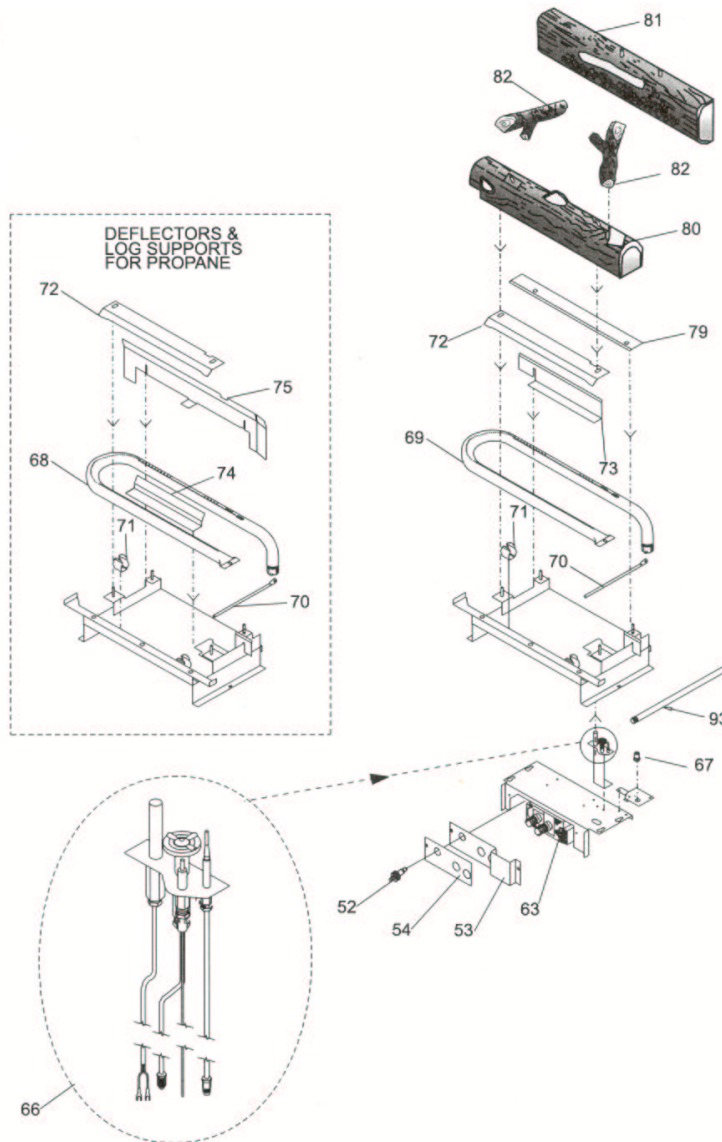
(New Zealand/Australia)

		Door	NZ	AUST
Part Numbers	Natural Gas	Black Gold	FPI2100 _____	FPI2003 FPI2001
	LPG	Black Gold	FPI1201 _____	FPI2004 FPI2002





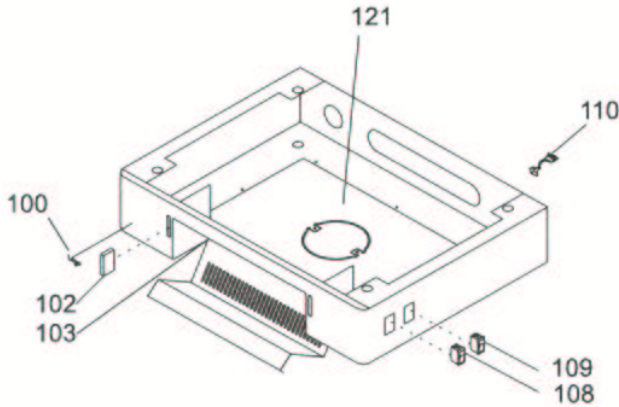
Item No	Part No	Description	Qty	Item No	Part No	Description	Qty
	846-913	Door Assy-Gold (no glass)		17	471-031	Door Retainer Clip	
	846-915	Door Assy-Black (no glass)		19	948-101	Spring Handle - Large	
3	846-302	Small Glass			490-918	Fan Assembly Optional	
4	936-243	Glass Gasket (7/8")		20	910-155/P	Fan motor	
5	846-920	Glass Retainer Clips (8/set)		22	910-714	Power Cord	
6	*	Screw 1/4 - 20 x 3/8"			910-140	Fan HI/OFF/LOW switch	
7	948-170/P	Small Glass Retainer		28	910-142	Fan Auto ON/OFF Thermodisc	
9	846-973	Door Handle/Latch Assembly			460-006	Rear Panel	
10	910-250	Spill Switch			908-636	Manual	
12	846-570	7/8" Gasket Repair Kit					
13	846-918	Hinge Cap - Gold (2/set)					
14	*	Screw #10 - 24 x 3/4"					
15	*	1/4" split lock washer					
16	*	Screw #10 - 24 x 1/2"					
							* Not available as a replacement part



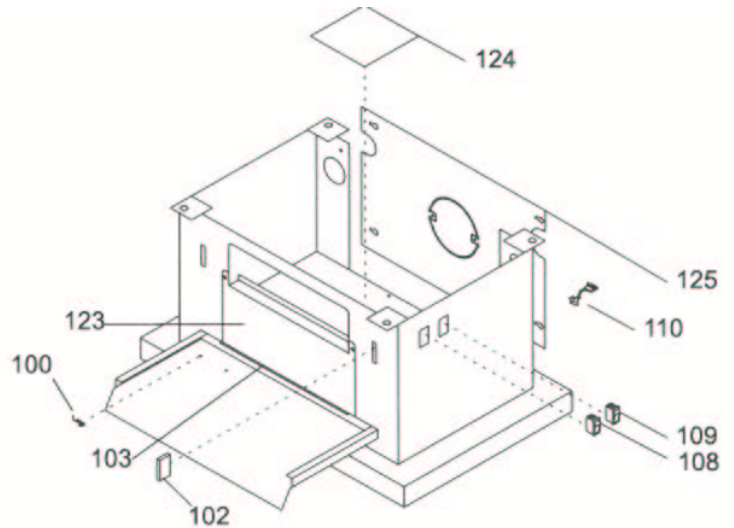
PILOT ASSEMBLY DETAILS

Item No	Part No	Description	Qty	Item No	Part No	Description	Qty
52	910-190	Piezo Ignitor & Nut		69	948-294	Burner - Natural Gas	
53	*	Control Panel			948-279	Burner - LPG	
54	908-672	Control Panel Decal		70	948-232	Air Shutter Adjusting Rod	
58	910-142	Fan Thermodisc Auto On/Off			460-555	Burner Tray Assy - Natural Gas	
	462-560/P	Valve Assembly - SIT - NG			490-557	Burner Tray Assy - LPG	
	462-561/P	Valve Assembly - SIT - LP		72	490-023	Deflector - Front Log	
63	910-378	Valve SIT - NG		73	460-009	Deflector - Rear Burner Front	
	910-380	Valve SIT - LP		74	490-025	Deflector - Btm Burner/Rear Log - LPG	
66	910-034	Pilot Assembly-3 flame-SIT - Natural Gas		75	490-068	Rear Log Deflector Top - LPG	
	910-035	Pilot Assembly-3 flame-SIT - LPG		79	460-011	Deflector - Rear Burner Back - Natural Gas	
	910-386	Thermocouple - SIT (556134)		80	902-180	Front Log	
	910-341	Thermopile (556090)		81	902-186	Rear Log	
	910-030	Electrode (556135)		82	902-182	Top Log	
67	904-604	Orifice #36 - Natural Gas		93	904-537	3/8" x 12" black mall nipple	
	904-390	Orifice #52 - LPG					

* Not available as a replacement part



FLOOR SHIELD (OPTIONAL)



PEDESTAL (OPTIONAL)



LEGS (OPTIONAL)

Item No	Part No	Description	Qty	Item No	Part No	Description	Qty
	490-921	Complete Floor Shield			490-926	Complete Pedestal	
100	948-216	Regency Logo		100	948-216	Regency Logo	
102	904-257	Magnetic Catch (Large)		102	904-257	Magnetic Catch (Large)	
103	*	11" Pedestal Hinge		103	*	11" Pedestal Hinge	
108	910-246	Burner ON/OFF Switch (2-way)		108	910-246	Burner ON/OFF Switch (2-way)	
109	910-272	LT. Dummy Plug		109	910-272	LT. Dummy Plug	
110	*	Strain Relief for power cord		110	*	Strain Relief for power cord	
121	*	Access Panel		123	*	Pedestal Blanking Plate	
140	850-127	Cast Legs - Gold		124	820-058	Pedestal Cover Plate	
140	850-126	Cast Legs - Black		125	*	Rear Cover Plate	
142	850-125	Steel Legs					
						* Not available as a replacement part	