

Masport®

PG 3000

Natural Gas/LPG

(New Zealand - Standard)

| | | | |
|---------------------|--------------------|-------------------|---------------|
| <i>Part Numbers</i> | <i>Natural Gas</i> | <i>Matt Black</i> | <i>988875</i> |
| | <i>LPG</i> | <i>Matt Black</i> | <i>988876</i> |

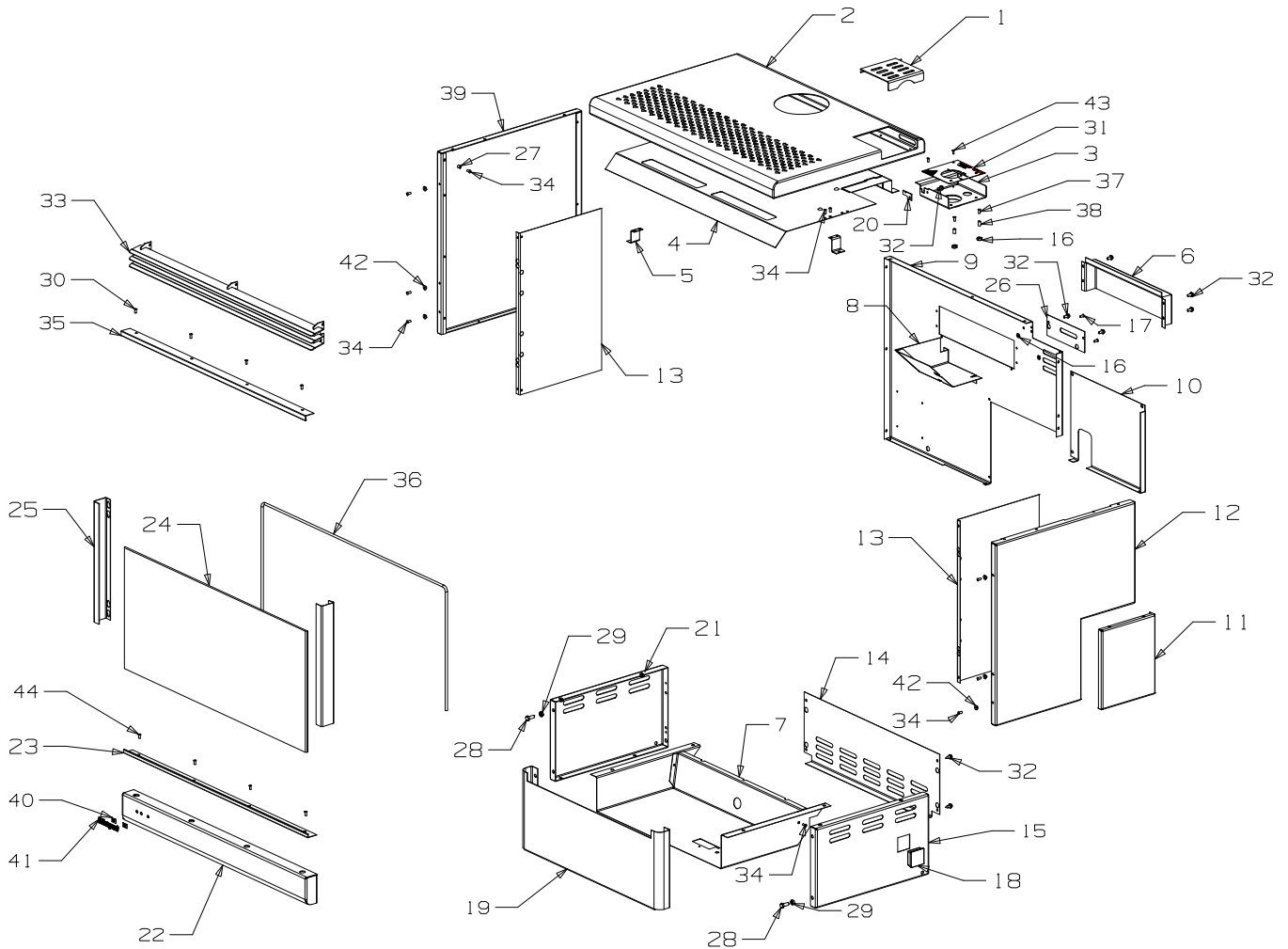
From Serial Number 4004005





Masport®

PG 3000
STD NG/LPG
(1997 to _ _ _ _)

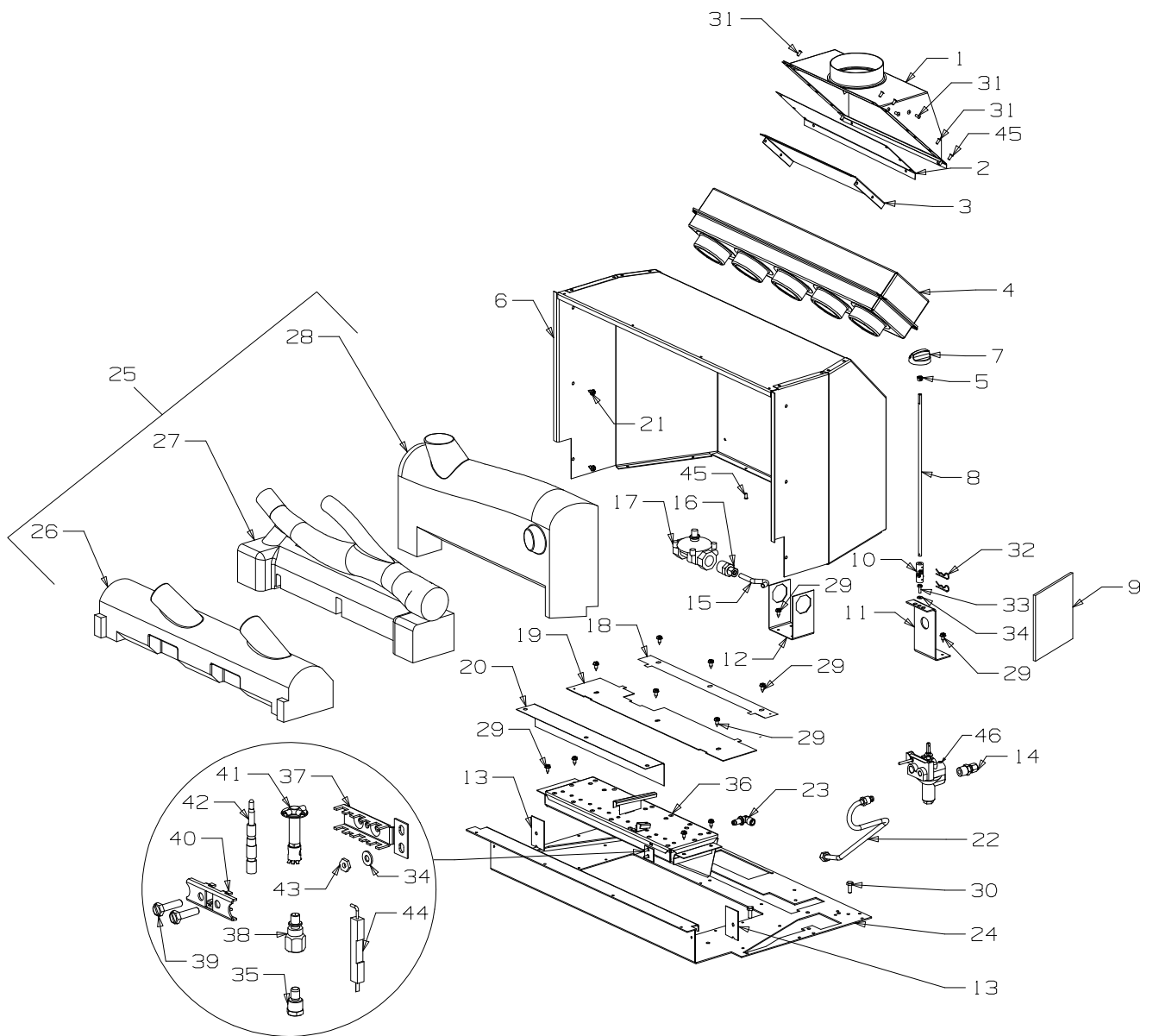


When ordering PLEASE QUOTE PART NUMBER & Description, NOT Illustration No.
Determine right or left hand side from standing in operating position (standing at handle)



| <i>Item No</i> | <i>Part No</i> | <i>Description</i> | <i>Qty</i> | <i>Item No</i> | <i>Part No</i> | <i>Description</i> | <i>Qty</i> |
|----------------|----------------|---|------------|----------------|----------------|---|------------|
| 1 | 988210 | Panel-Lid, Control Valve - Matt Black | | 16 | 503622 | Nut, M4 Hex Stainless | 6 |
| | 988220 | Panel-Lid, Control Valve - Forest Green | 1 | 17 | 503621 | Screw, Pan M4 x 8 | 6 |
| 2 | 988205 | Panel-Top - Matt Black | 1 | 18 | 586155 | Plug-Switch Hole | 1 |
| | 988215 | Panel-Top - Forest Green | 1 | 19 | 988202 | Panel-Pedestal, Front - Matt Black | 1 |
| 3 | 988058 | Panel-Backing, Control - Black | 1 | | 988212 | Panel-Pedestal, Front - Forest Green | 1 |
| 4 | 988060 | Heatshield-Top Panel | 1 | 20 | 988435 | Catch-Hinge, Lid | 1 |
| 5 | 988082 | Bracket-Mounting, Heatshield | 2 | 21 | 988203 | Panel-Pedestal, LH Side - Matt Black | 1 |
| 6 | 988147 | Cover-Rear, Diverter - Black | 1 | | 988213 | Panel-Pedestal, LH Side - Forest Green | 1 |
| | 988148 | Cover-Rear, Diverter - Forest Green | 1 | 22 | 788539 | Panel-Front - Matt Black | 1 |
| 7 | 988291 | Heatshield- Pedestal | 1 | | 788540 | Panel-Front - Forest Green | 1 |
| 8 | 988377 | Heatshield, Control Panel | 1 | 23 | 988528 | Trim-Glass Retainer, Bottom | 1 |
| 9 | 988209 | Panel-Rear - Matt Black | 1 | 24 | 988001 | Glass-G/Fire 5 x 656 x 295 | 1 |
| | 988219 | Panel-Rear - Forest Green | 1 | 25 | 988550 | Plate-Trim, Glass - Black | 2 |
| 10 | 988280 | Panel-Rear Access, LH - Matt Black - Natural Gas | 1 | | 988551 | Plate-Trim, Glass - Forest Green | 2 |
| | 988281 | Panel-Rear Access, LH - Forest Green - Natural Gas | 1 | 26 | 788479 | Panel-Access, Piezo - Matt Black | 1 |
| | 988295 | Panel-Rear Access, RH - Matt Black - L.P.G. | 1 | | 788481 | Panel-Access, Piezo - Forest Green | 1 |
| | 988297 | Panel-Rear Access, RH - Forest Green - L.P.G. | 1 | 27 | 986148 | Spacer-Grille | 6 |
| 11 | 988267 | Panel-Access, Control - Matt Black | 1 | 28 | 501959 | Screw, Set M6 x 12 | 8 |
| | 988269 | Panel-Access, Control - Forest Green | 1 | 29 | 501682 | Nut, M6 | 8 |
| 12 | 788532 | Panel-Side, RH - Matt Black | 1 | 30 | 503009 | Screw, S/T 8 x 0.3 | 6 |
| | | • Incl. Item No's. 13, 27, 34, 42 | | 31 | 588422 | Plate-Control Panel | 1 |
| | 788537 | Panel-Side, RH - Forest Green | 1 | 32 | 503630 | Screw, S/T 10 x .04 | 30 |
| | | • Incl. Item No's. 13, 27, 34, 42 | | 33 | 788531 | Grille-3 Louvre | 1 |
| 13 | 988529 | Heatshield-Side | 2 | 34 | 586167 | Rivet, 4.0 Dia x 4.8 | 14 |
| 14 | 988204 | Panel-Pedestal Back - Matt Black | 1 | 35 | 988527 | Trim-Glass Retainer, Top | 1 |
| | 988214 | Panel-Pedestal Back - Forest Green | 1 | 36 | 600858 | Tape-Glass, Flat 3 x 10 | 1 |
| 15 | 988201 | Panel-Pedestal, RH Side - Matt Black | 1 | 37 | 503661 | Screw, Pan M4 x 20 | 2 |
| | 988211 | Panel-Pedestal, RH Side - Forest Green | 1 | 38 | 988388 | Spacer-Control Panel | 2 |
| | | | | 39 | 788533 | Panel-Side, LH - Matt Black | 1 |
| | | | | | 788538 | Panel-Side, LH - Forest Green | 1 |
| | | | | 40 | 503381 | Push Fix, Spire | 2 |
| | | | | 41 | 584581 | Badge - Gold | 1 |
| | | | | 42 | 986149 | Spacer-Front Panel | 2 |
| | | | | 43 | 503429 | Rivet-Pop, 3.2 Dia x 4.8 | 8 |
| | | | | 44 | 503627 | Rivet, 4.0 Dia | 8 |

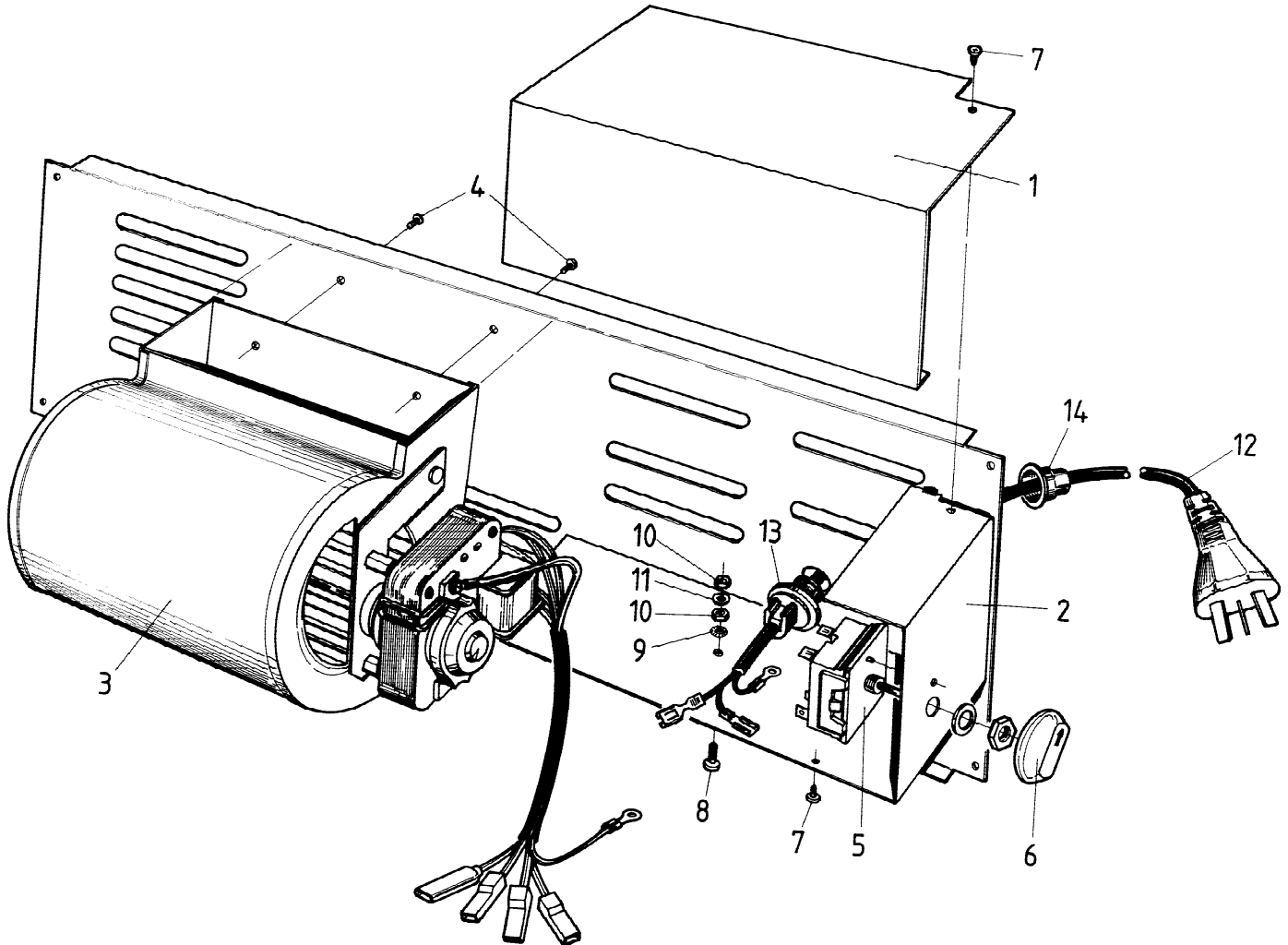
Bold Text = Assemblies
Bulleted Text = Items included in Assemblies





| <i>Item</i> | <i>Part No</i> | <i>Description</i> | <i>Qty</i> | <i>Item</i> | <i>Part No</i> | <i>Description</i> | <i>Qty</i> |
|-------------|----------------|---|------------|-------------|----------------|--|------------|
| 1 | 988045 | Flue Terminal Assy | 1 | 25 | 988029 | Log Assy-Ceramic | 1 |
| 2 | 988536 | Panel-Bottom, Diverter | 1 | 26 | 988343 | • Log-Ceramic, Front | 1 |
| 3 | 988521 | Panel-Deflector, Flue Terminal | 1 | 27 | 988373 | • Log-Ceramic, Middle | 1 |
| 4 | 988526 | Heat Exchanger Assy | 1 | 28 | 988056 | • Log-Ceramic, Rear | 1 |
| 5 | 588399 | Bush-Plastic | 1 | 29 | 503630 | Screw, S/T 10 x 0.4 | 30 |
| 6 | 988515 | Firebox Assy | 1 | 30 | 501959 | Screw, Set M6 x 12 | 10 |
| 7 | 588170 | Knob-Control Valve | 1 | 31 | 503583 | Rivet-4.0 Dia | 22 |
| 8 | 588332 | Rod-Control Valve | 1 | 32 | 503652 | Clip, Hairpin Dia 1.4mm | 2 |
| 9 | 588081 | Board-Insulating, Ceramic | 1 | 33 | 502203 | Screw, Pan M4 x 12 | 1 |
| 10 | 588322 | Universal-Control Valve | 1 | 34 | 503593 | Washer, Flat 4mm | 3 |
| 11 | 988064 | Bracket-Mounting, Control Valve | 1 | 35 | 588252 | Nut-Olive, M10 x 1 | 1 |
| 12 | 988065 | Bracket-Mounting, Regulator - Natural Gas | 1 | 36 | 988240 | Burner Assy-Gas - Natural Gas | 1 |
| 13 | 988557 | Plate-Stop, Spillage - Black | 2 | • | 988241 | Burner Assy-Gas - L.P.G. | 1 |
| 14 | 588354 | Connector-Complete 8 x 3/8" - Natural Gas | 1 | | 588292 | Pilot Assembly - Natural Gas | 1 |
| 15 | 988355 | Tube-Connecting, 5/16" - Natural Gas | 1 | | 588293 | Pilot Assembly - L.P.G. | 1 |
| 16 | 588077 | Connector-Complete 8 x 1/2" - Natural Gas | 1 | 37 | 588255 | • Bracket-Mounting, Pilot | 1 |
| 17 | 588051 | Regulator - Natural Gas | 1 | 38 | 588382 | • Jet-Pilot, 0.48 Combined - Natural Gas | 1 |
| 18 | 988069 | Plate-Metering, Rear - Natural Gas | 1 | • | 588168 | • Jet-Pilot, 0.30 Combined - L.P.G. | 1 |
| 19 | 988039 | Plate-Metering, Front - Natural Gas | 1 | 39 | 503265 | • Screw, Set-Pilot Bracket | 2 |
| 20 | 988347 | Deflector-Draught, Pilot Light | 1 | 40 | 588256 | • Bracket-Support, Pilot | 1 |
| 21 | 503259 | Screw, S/T 10 x 0.5 | 20 | 41 | 588174 | • Pilot Head-3 way | 1 |
| 22 | 588344 | Tube-Main Injector | 1 | 42 | 588259 | Thermocouple-750, M9 x 1 | 1 |
| 23 | 588173 | Injector-Main, 0.95 - Natural Gas | 1 | 43 | 503622 | Nut, Hex M4 | 6 |
| • | 588175 | Injector-Main, 1.50 - L.P.G | 1 | 44 | 588166 | Electrode-Peizo, Spade Terminal | 1 |
| 24 | 988495 | Base Plate | 1 | • | 588385 | Electrode-Peizo, Round Terminal | 1 |
| | | | | 45 | 586167 | Rivet-Pop 4.0 Dia x 4.8 | 14 |
| | | | | 46 | 588260 | Valve-Control, Gas 600mm | 1 |

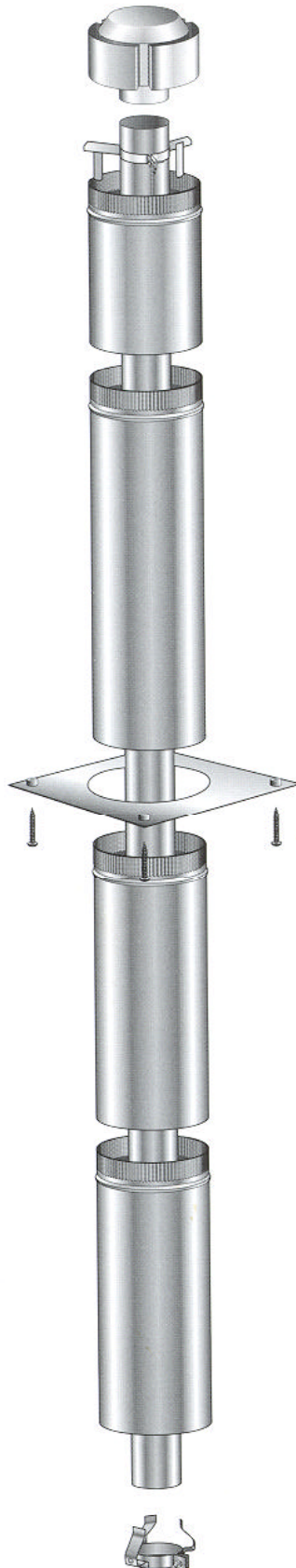
Bold Text = Assemblies
Bulleled Text = Items included in Assemblies



| Item No | Part No | Description | Qty | Item No | Part No | Description | Qty |
|---------|---------|-------------------------------|-----|---------|---------|-------------------------|-----|
| 1 | 986187 | Cover-Fan Motor | 1 | 10 | 501856 | Nut, M5 | 2 |
| 2 | 986192 | Panel Assy Fan (Matt Black) | 1 | 11 | 503106 | Washer, Flat M5 | 2 |
| | 988150 | Panel Assy Fan (Forest Green) | 1 | 12 | 588068 | Loom | 1 |
| 3 | 586174 | Fan-3 Speed | 1 | 13 | 502068 | Clamp-Cable | 1 |
| 4 | 501767 | Rivet-Pop 3.2 Dia x 3.2 | 3 | 14 | 577089 | Nut-Cable | 1 |
| 5 | 585624 | Switch-4 Position | 1 | | | NOT ILLUSTRATED | |
| 6 | 585625 | Knob-Fan Switch | 1 | | | | |
| 7 | 501110 | Screw, S/T 1/4" x 6 | 3 | | | | |
| 8 | 501857 | Screw, Pan M5 x 10 | 1 | | 986364 | Fan Assy - Matt Black | 1 |
| 9 | 503371 | Washer, Fan Disc | 1 | | 988095 | Fan Assy - Forest Green | 1 |



Freestanding B Vent Gas Flue Kit - Black



Flue Kit Part Number: 588656

When ordering PLEASE QUOTE PART NUMBER & Description, NOT Illustration No.
Determine right or left hand side from standing in operating position (standing at handle)



| Part No | Description | Qty |
|------------------------|---------------------------------|------------|
| NOT ILLUSTRATED | | |
| 586060 | Paint, Touch Up - Matt Black | 1 |
| 586117 | Paint, Touch Up - Forest Green | 1 |
| 588079 | Tube-Inlet, Pilot 3/16" x 725mm | 1 |
| 588386 | Piezo Lead - 600mm Round | 1 |
| 588387 | Piezo Lead - 700mm Square | 1 |
| 588353 | Owners Manual | 1 |