

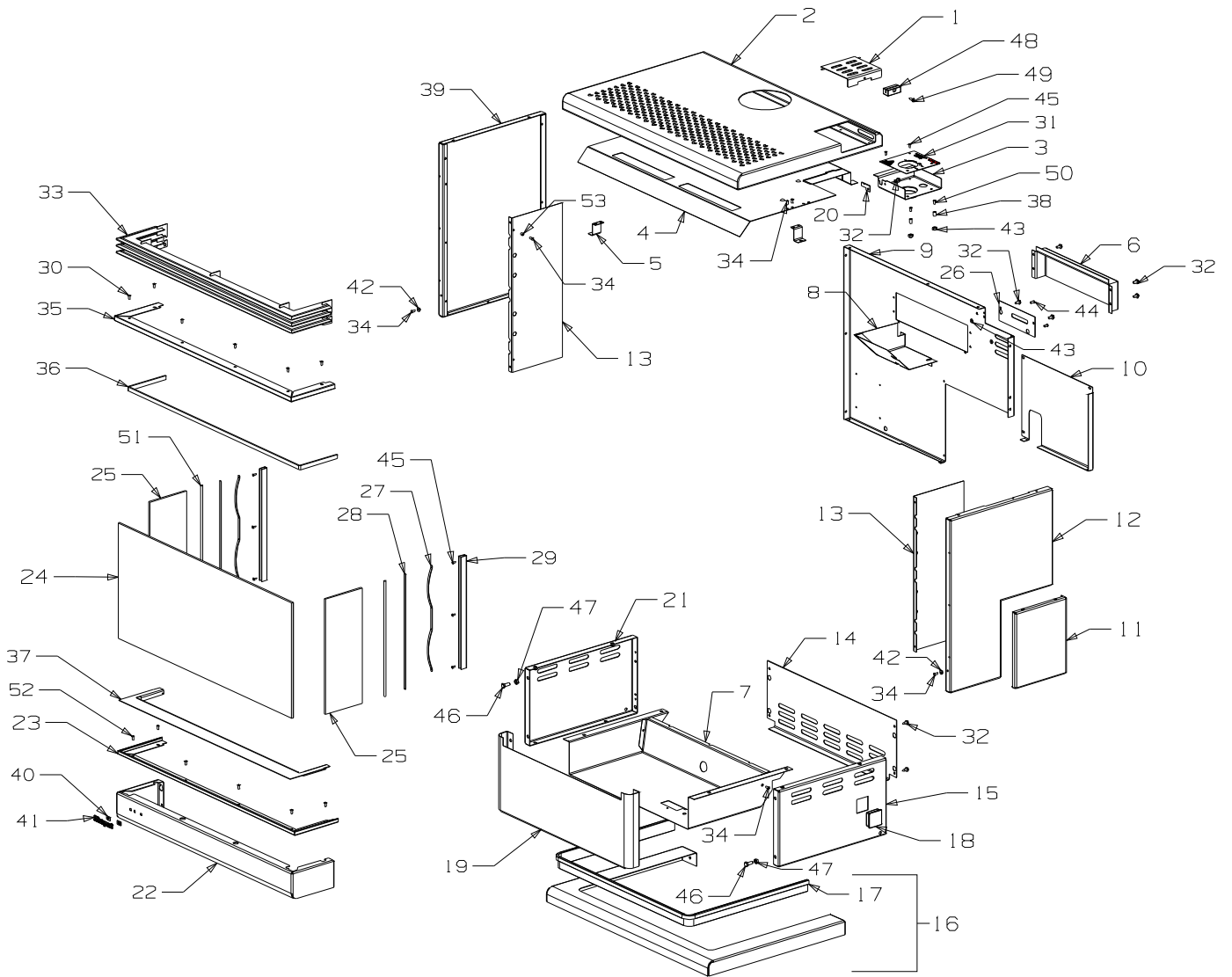
Masport®

MG 3000 Natural Gas/LPG (New Zealand - Standard)

| | | | |
|--------------|-------------|--------------|--------|
| Part Numbers | Natural Gas | Matt Black | 988967 |
| | | Warm White | 988969 |
| | | Forest Green | 988971 |
| | LPG | Matt Black | 988968 |
| | | Warm White | 988970 |
| | | Forest Green | 988972 |

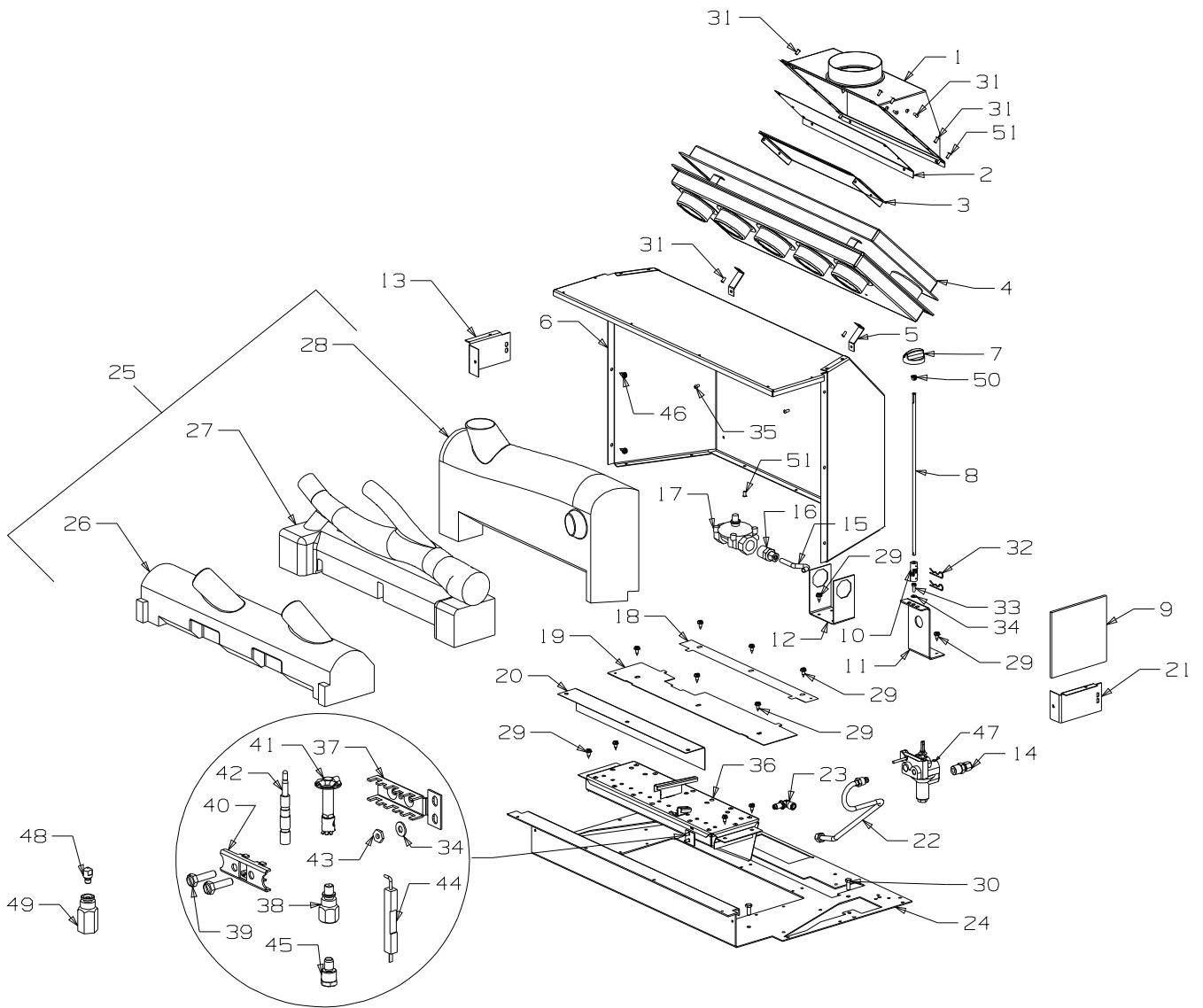
From Serial Number 051860





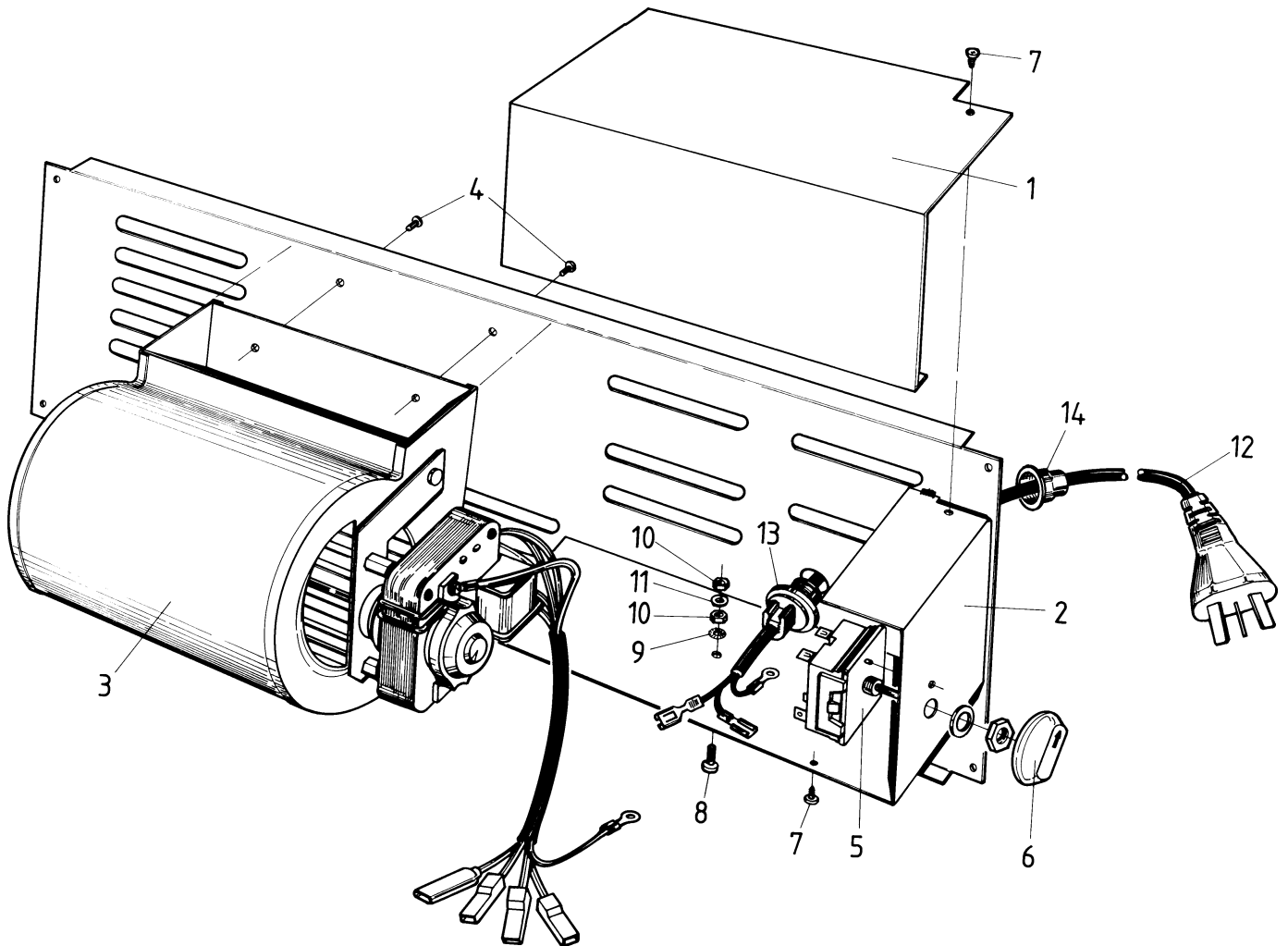


| Item No | Part No | Description | Qty | Item No | Part No | Description | Qty |
|---------|---------|--|-----|---------|---------|---|-----|
| 1 | 988275 | Panel-Lid, Control Valve - Matt Black | | 18 | 586155 | Plug-Switch Hole | 1 |
| | 988277 | Panel-Lid, Control Valve - Forest Green | 1 | 19 | 988202 | Panel-Pedestal, Front - Matt Black | 1 |
| | 988276 | Panel-Lid, Control Valve - Warm White | 1 | | 988212 | Panel-Pedestal, Front - Forest Green | 1 |
| 2 | 988205 | Panel-Top - Matt Black | 1 | | 988222 | Panel-Pedestal, Front - Warm White | 1 |
| | 988215 | Panel-Top - Forest Green | 1 | 20 | 988435 | Catch-Hinge, Lid | 1 |
| | 988225 | Panel-Top - Warm White | 1 | 21 | 988203 | Panel-Pedestal, LH Side - Matt Black | 1 |
| 3 | 988058 | Panel-Backing, Control - Black | 1 | | 988213 | Panel-Pedestal, LH Side - Forest Green | 1 |
| 4 | 988060 | Heatshield-Top Panel | 1 | | 988223 | Panel-Pedestal, LH Side - Warm White | 1 |
| 5 | 988082 | Bracket-Mounting, Heatshield | 2 | 22 | 988206 | Panel-Front - Matt Black | 1 |
| 6 | 988147 | Cover-Rear, Diverter - Black | 1 | | 988216 | Panel-Front - Forest Green | 1 |
| | 988148 | Cover-Rear, Diverter - Forest Green | 1 | | 988226 | Panel-Front - Warm White | 1 |
| | 988149 | Cover-Rear, Diverter - Warm White | 1 | 23 | 988497 | Trim-Glass Retainer, Bottom | 1 |
| 7 | 988291 | Heatshield- Pedestal | 1 | 24 | 988001 | Glass-G/Fire 5 x 656 x 295 | 1 |
| 8 | 988377 | Heatshield, Control Panel | 1 | 25 | 988002 | Glass-G/Fire 5 x 295 x 111 | 2 |
| 9 | 988209 | Panel-Rear - Matt Black | 1 | 26 | 988479 | Panel-Access, Piezo - Matt Black | 1 |
| | 988219 | Panel-Rear - Forest Green | 1 | | 988481 | Panel-Access, Piezo - Forest Green | 1 |
| | 988229 | Panel-Rear - Warm White | 1 | | 988480 | Panel-Access, Piezo - Warm White | 1 |
| 10 | 988280 | Panel-Rear Access - Matt Black | 1 | 27 | 588048 | Spring-Glass Retainer | 2 |
| | 988281 | Panel-Rear Access - Forest Green | 1 | 28 | 588062 | Strip-Backing, Glass Spring | 2 |
| | 988282 | Panel-Rear Access - Warm White | 1 | 29 | 988498 | Trim-Glass Retainer, Rear | 2 |
| 11 | 988267 | Panel-Access, Control - Matt Black | 1 | 30 | 503009 | Screw, S/T 8 x 0.3 | 6 |
| | 988269 | Panel-Access, Control - Forest Green | 1 | 31 | 588422 | Plate-Control Panel | 1 |
| | 988268 | Panel-Access, Control - Warm White | 1 | 32 | 503630 | Screw, S/T 10 x .04 | 30 |
| 12 | 988235 | Panel-Side, RH - Matt Black • Incl. Item No's. 13, 34, 42, 53 | 1 | 33 | 788500 | Grille-3 Louvre | 1 |
| | 988270 | Panel-Side, RH - Forest Green • Incl. Item No's. 13, 34, 42, 53 | 1 | 34 | 586167 | Rivet, 4.0 Dia x 4.8 | 14 |
| | 988236 | Panel-Side, RH - Warm White • Incl. Item No's. 13, 34, 42, 53 | 1 | 35 | 988490 | Trim-Glass Retainer, Top (Gold) | 1 |
| 13 | 988063 | Heatshield-Side | 2 | 36 | 788511 | Tape-Glass, Flat 3 x 10 | 1 |
| 14 | 988204 | Panel-Pedestal Back - Matt Black | 1 | 37 | 988496 | Plate-Cover, Glass | 1 |
| | 988214 | Panel-Pedestal Back - Forest Green | 1 | 38 | 988388 | Spacer-Control Panel | 2 |
| | 988224 | Panel-Pedestal Back - Warm White | 1 | 39 | 988208 | Panel-Side, LH - Matt Black | 1 |
| 15 | 988201 | Panel-Pedestal, RH Side - Matt Black | 1 | | 988218 | Panel-Side, LH - Forest Green | 1 |
| | 988211 | Panel-Pedestal, RH Side - Forest Green | 1 | | 988228 | Panel-Side, LH - Warm White | 1 |
| | 988221 | Panel-Pedestal, RH Side - Warm White | 1 | 40 | 503381 | Push Fix, Spire | 2 |
| 16 | 986264 | Foot Assy-Matt Black (Packed) | 1 | 41 | 584581 | Badge - Gold | 1 |
| | 986416 | Foot Assy-Forest Green (Packed) | 1 | 42 | 986149 | Spacer-Front Panel | 2 |
| | 986266 | Foot Assy-Warm White (Packed) | 1 | 43 | 503622 | Nut, M4 Hex Stainless | 6 |
| 17 | 986218 | Trim-Pedestal Foot, Gold | 1 | 44 | 503621 | Screw, Pan M4 x 8 | 6 |
| | | | | 45 | 503429 | Rivet-Pop, 3.2 Dia x 4.8 | 8 |
| | | | | 46 | 501959 | Screw, Set M6 x 12 | 8 |
| | | | | 47 | 501682 | Nut, M6 | 8 |
| | | | | 48 | 588233 | Knob-Cover, Control Valve | 1 |
| | | | | 49 | 503004 | Screw, Csk No. 8 x 5/8" | 1 |
| | | | | 50 | 503661 | Screw, Pan M4 x 20 | 2 |
| | | | | 51 | 788510 | Rope-Glass Fibre, 5.5 | 1 |
| | | | | 52 | 503627 | Rivet, 4.0 Dia | 8 |
| | | | | 53 | 986148 | Spacer-Grille | 6 |
| | | | | 54 | 986413 | Bracket-Seismic Restraint | 1 |
| | | | | 55 | 501815 | Screw, Set M6 x 35 | 4 |
| | | | | 56 | 986792 | Bracket-Seismic Restraint | 1 |
| | | | | 57 | 503388 | Nut-Spire | 2 |
| | | | | 58 | 503459 | Screw, S/T 12 x 25 | 2 |





| Item | Part No | Description | Qty | Item | Part No | Description | Qty |
|------|---------|--|-----|------|---------|--|-----|
| 1 | 988045 | Flue Terminal Assy | 1 | 24 | 988495 | Base Plate | 1 |
| 2 | 988024 | Panel-Bottom, Diverter | 1 | 25 | 988029 | Log Assy-Ceramic | 1 |
| 3 | 988047 | Panel-Deflector, Flue Terminal | 1 | 26 | 988343 | • Log-Ceramic, Front | 1 |
| 4 | 988026 | Heat Exchanger Assy | 1 | 27 | 988373 | • Log-Ceramic, Middle | 1 |
| 5 | 988006 | Bracket-Mounting, Heatshield | 2 | 28 | 988056 | • Log-Ceramic, Rear | 1 |
| 6 | 988491 | Firebox Assy | 1 | 29 | 503630 | Screw, S/T 10 x 0.4 | 30 |
| 7 | 588170 | Knob-Control Valve | 1 | 30 | 501959 | Screw, Set M6 x 12 | 10 |
| 8 | 588332 | Rod-Control Valve | 1 | 31 | 503583 | Rivet-4.0 Dia | 22 |
| 9 | 588081 | Board-Insulating, Ceramic | 1 | 32 | 503652 | Clip, Hairpin Dia 1.4mm | 2 |
| 10 | 588322 | Universal-Control Valve | 1 | 33 | 502203 | Screw, Pan M4 x 12 | 1 |
| 11 | 988064 | Bracket-Mounting, Control Valve | 1 | 34 | 503593 | Washer, Flat 4mm | 3 |
| 12 | 988065 | Bracket-Mounting, Regulator | 1 | 35 | 503627 | Rivet-4.0 Dia | 2 |
| | | - Natural Gas Only | 1 | 36 | 988240 | Burner Assy - Natural Gas | 1 |
| 13 | 988494 | Plate-Stop, Spillage LH - Black | 1 | | 588292 | Pilot Assy - Natural Gas | 1 |
| 14 | 588354 | Connector-Complete 8 x 3/8" - Natural Gas Only | 1 | | 988240 | Burner Assy - LPG | 1 |
| 15 | 988355 | Tube-Connecting, 5/16" | 1 | | 588292 | Pilot Assy - LPG | 1 |
| 16 | 588077 | Connector-Complete 8 x 1/2" - Natural Gas Only | 1 | 37 | 588255 | • Bracket-Mounting, Pilot | 1 |
| 17 | 588051 | Regulator - Natural Gas Only | 1 | 38 | 588382 | • Jet-Pilot, 0.48 Combined - Natural Gas | 1 |
| 18 | 988069 | Plate-Metering, Rear - Natural Gas Only | 1 | | 588391 | • Jet-Pilot, 0.30 Combined - LPG | 1 |
| 19 | 988039 | Plate-Metering, Front - Natural Gas Only | 1 | 39 | 503265 | • Screw, Set-Pilot Bracket | 2 |
| 20 | 988347 | Deflector-Draught, Pilot Light | 1 | 40 | 588256 | • Bracket-Support, Pilot | 1 |
| 21 | 988499 | Plate-Stop, Spillage RH - Black | 1 | 41 | 588174 | • Pilot Head-3 way | 1 |
| 22 | 588344 | Tube-Main Injector | 1 | 42 | 588259 | Thermocouple-750, M9 x 1 | 1 |
| 23 | 588173 | Injector-Main, 0.95 - Natural Gas | 1 | 43 | 503622 | Nut, Hex M4 | 6 |
| | 588173 | Injector-Main, 1.50 LPG | 1 | 44 | 588166 | Electrode-Peizo, Spade Terminal | 1 |
| | | | | | 588385 | Electrode-Peizo, Round Terminal | 1 |
| | | | | 45 | 588252 | Nut-Olive, M10 x 1 | 1 |
| | | | | 46 | 503259 | Screw, S/T 10 x 0.5 | 20 |
| | | | | 47 | 588260 | Valve-Control, Gas 600mm | 1 |
| | | | | 48 | 588167 | Jet-Pilot, 0.48 - Natural Gas | 1 |
| | | | | | 588168 | Jet-Pilot, 0.30 - LPG | 1 |
| | | | | 49 | 588253 | Body-Pilot, Jet | 1 |
| | | | | 50 | 588399 | Bush-Plastic | 1 |
| | | | | 51 | 586167 | Rivet-Pop 4.0 Dia x 4.8 | 14 |



| Item No | Part No | Description | Qty | Item No | Part No | Description | Qty |
|---------|---------|-------------------------------|-----|---------|---------|-------------------------|-----|
| 1 | 986187 | Cover-Fan Motor | 1 | 10 | 501856 | Nut, M5 | 2 |
| 2 | 986192 | Panel Assy Fan (Matt Black) | 1 | 11 | 503106 | Washer, Flat M5 | 2 |
| • | 986195 | Panel Assy Fan (Warm White) | 1 | 12 | 588068 | Loom | 1 |
| • | 988150 | Panel Assy Fan (Forest Green) | 1 | 13 | 502068 | Clamp-Cable | 1 |
| 3 | 586174 | Fan-3 Speed | 1 | 14 | 577089 | Nut-Cable | 1 |
| 4 | 501767 | Rivet-Pop 3.2 Dia x 3.2 | 3 | | | NOT ILLUSTRATED | |
| 5 | 585624 | Switch-4 Position | 1 | | | | |
| 6 | 585625 | Knob-Fan Switch | 1 | | | | |
| 7 | 501110 | Screw, S/T 1/4" x 6 | 3 | | 986364 | Fan Assy - Matt Black | 1 |
| 8 | 501857 | Screw, Pan M5 x 10 | 1 | | 988095 | Fan Assy - Forest Green | 1 |
| 9 | 503371 | Washer, Fan Disc | 1 | | 986366 | Fan Assy - Warm White | 1 |



| Part No | Description | Qty |
|------------------------|------------------------------------|------------|
| NOT ILLUSTRATED | | |
| 586060 | Paint, Touch Up - Matt Black | 1 |
| 586117 | Paint, Touch Up - Forest Green | 1 |
| 586057 | Paint, Touch Up - Warm White | 1 |
| 588079 | Tube-Inlet, Pilot 3/16" x 725mm | 1 |
| 588386 | Piezo Lead - 600mm Round | 1 |
| 588387 | Piezo Lead - 700mm Square | 1 |
| 988378 | Kit-Conversion, LPG to Natural Gas | 1 |
| 791390 | Kit-Ignitor, Retrofit | 1 |
| 588353 | Owners Manual | 1 |