

Masport®

FREESTANDING GAS FIRES

BOSTON

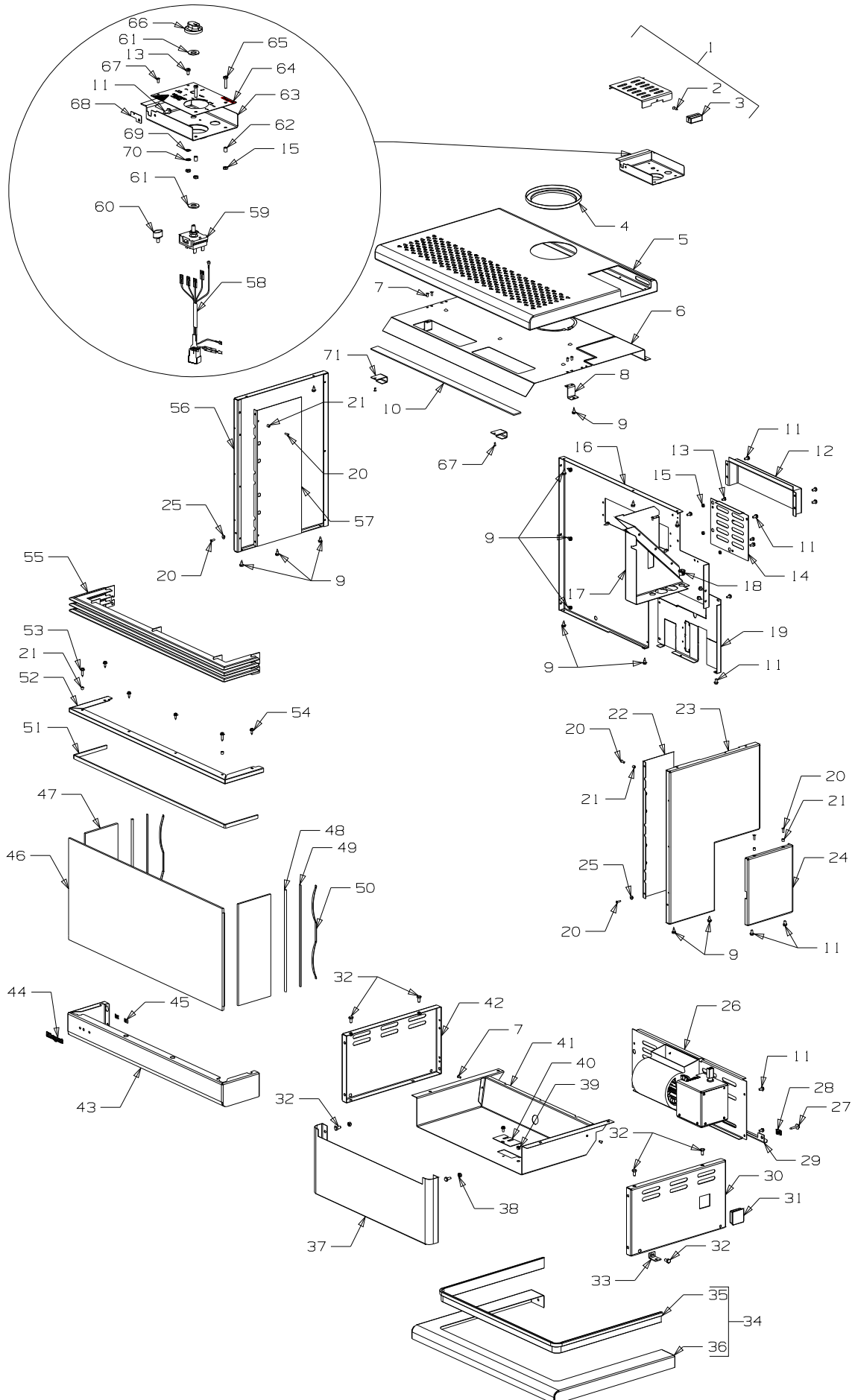
Natural Gas / LPG

(New Zealand/Australia - Std - Flued)

Part Numbers	- Natural Gas	Black	991904
	- LPG	Black	991905

From Serial Number 4008242



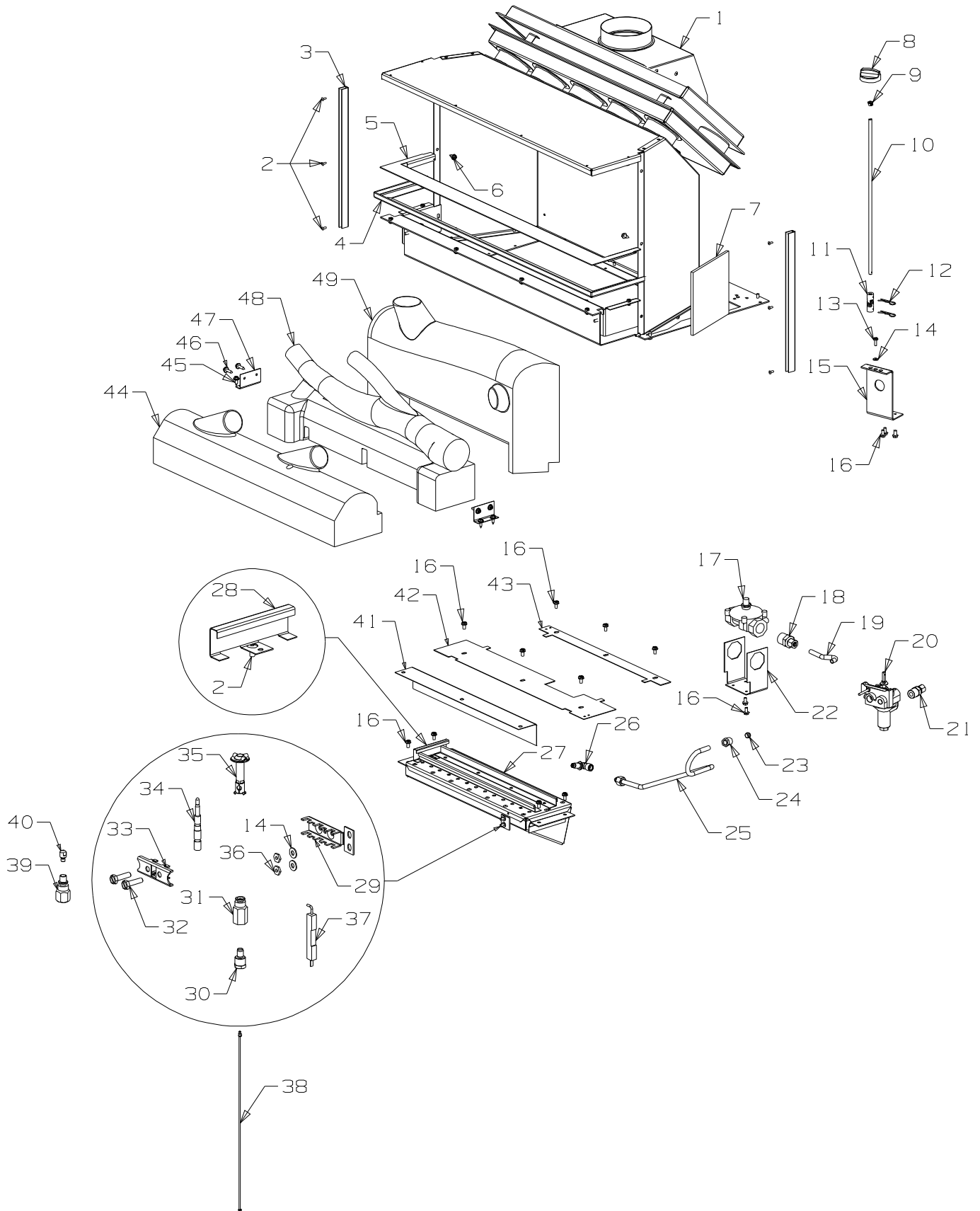


When ordering PLEASE QUOTE PART NUMBER & Description, NOT Illustration No.
Determine right or left hand side from standing inviewing position



Item No	Part No	Description	Qty	Item No	Part No	Description	Qty
1	791078	Panel-Lid, Control Valve - Black		37	791083	Panel-Pedestal, Front - Black	1
2	588233	• Knob-Cover, Control Valve	1	38	501682	Nut, M6	4
3	503004	• Screw, CSK No. 8 x 5/8"	1	39	588399	Bush-Plastic	2
4	791105	Collar-Flue - Black - NZ	1	40	988562	Plate-Cover, Heatshield	1
5	791090	Panel-Top - Black	1	41	988291	Heatshield-Pedestal	1
6	991023	Heatshield-Top Panel	1	42	791084	Panel-Pedestal, LH Side - Black	1
7	586167	Rivet, 4.0 Dia x 4.8	7	43	791082	Panel-Front - Black	1
8	988082	Bracket-Mounting, Heatshield	2	44	584581	Badge - Gold	1
9	503259	Screw; S/T 10 x .5	25	45	503381	Clip-Starlock, 4 Dia	2
10	700714	Tape - 3 x 255 x 610	1	46	991041	Glass - 5 x 295 x 661	1
11	503630	Screw, S/T 10 x .04	34	47	988002	Glass - 5 x 295 x 113	2
12	791093	Cover-Rear, Diverter - Black	1	48	788510	Rope-Glass Fibre, 5.5	1
13	503621	Screw, Pan M4 x 8	4	49	588062	Strip-Backing, Glass Spring	2
14	791081	Panel-Access, Piezo - Black	1	50	588048	Spring-Glass Retainer	2
15	503622	Nut, M4 Hex Stainless	6	51	790229	Tape-Glass, Flat 3 x 10	1
16	791088	Panel-Rear - Black	1	52	788490	Trim-Glass Retainer, Top (Gold)	1
17	791024	Heatshield Assy - Control Panel	1	53	503726	Screw, S/T 8 x .75	6
18	586734	Bush-Plastic	1	54	503704	Screw, S/T 8 x 0.5	8
19	791091	Panel-Rear Access - Black	1	55	791079	Grille-3 Louvre	1
20	501303	Rivet-Pop 4.0 Dia x 7.9	4	56	791086	Panel-Side, LH - Black (Incl. Item No's. 7, 22, 25, 57)	1
21	986148	Spacer-Grille	4	57	988063	Heatshield-Side, LH	1
22	991029	Heatshield-Side, RH	1	58	788460	Loom-Fan, Remote	1
23	791089	Panel-Side, RH - Black (Incl. Item No's. 7, 21-22, 25)	1	59	585624	Switch-4 Position	1
24	791080	Panel-Access, Control - Black	1	60	588507	Terminal, Utilux 6.3mm	1
25	986149	Spacer-Front Panel	4	61	501704	Washer, Flat 10 x 21 x 1.6	2
26	788465	Fan Assy, Complete - Black	1	62	988388	Spacer-Control Panel	2
27	503459	Screw; S/T 12 x 25	6	63	988430	Panel-Backing, Control - Black	1
28	503388	Nut-Spire	2	64	588437	Plate-Control Panel	1
29	995612	Bracket-Seismic Restraint	1	65	503661	Screw, Pan M4 x 20	2
30	791085	Panel-Pedestal, RH Side - Black	1	66	585625	Knob-Fan, Switch	1
31	586155	Plug-Switch Hole	1	67	503429	Rivet-Pop, 3.2 Dia x 4.8	10
32	501959	Screw, Set M6 x 12	10	68	988435	Catch-Hinge, Lid	1
33	986413	Bracket-Seismic Restraint	2	69	503106	Washer, Flat 5 Brass	1
34	991077	Foot Assy - Black	1	70	503371	Washer, Fan Disc 5 ID x 10 OD Ext	1
35	986156	• Panel-Foot	1	71	991201	Hook-Suspension Lourve	2
36	986218	• Trim-Pedestal Foot, Gold	1				

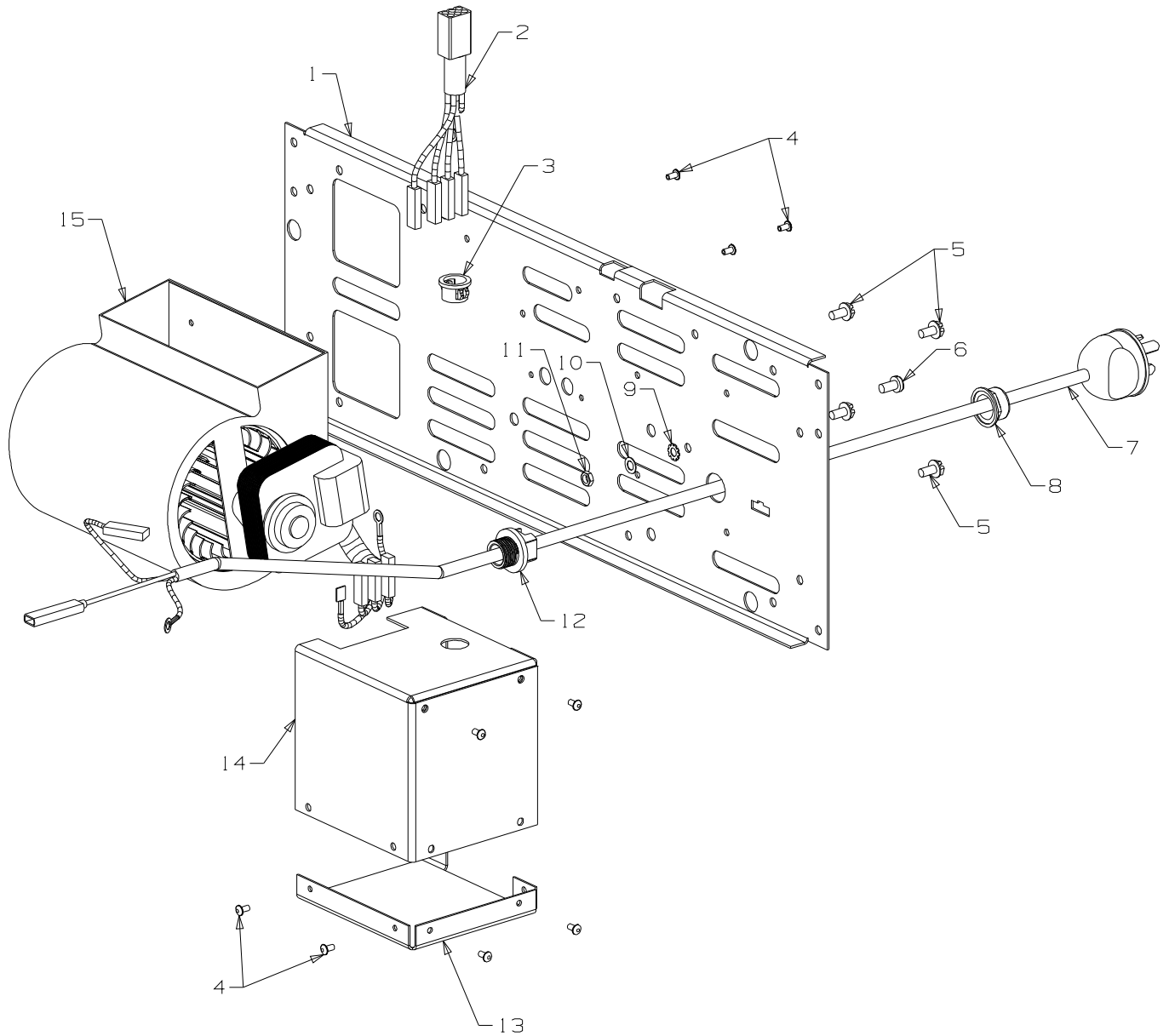
Bold Text = Assemblies
Bulleted Text = Items included in Assemblies





Item	Part No	Description	Qty	Item	Part No	Description	Qty
1	991046	Firebox Assy	1	27	788544	Burner Assy - Natural Gas	1
2	503429	Rivet-Pop 3.2 x 4.8	10		988290	• Burner Assy - Natural Gas	1
3	988498	Trim-Glass Retainer, Rear	2		588292	• Pilot Assy - Natural Gas	1
4	788497	Trim-Glass Retainer, Bottom	1	•	788543	Burner Assy - LPG	1
5	788496	Plate-Cover, Glass	1		988241	• Burner Assy - LPG	1
6	503259	Screw, S/T 10 x 0.5	25		588293	• Pilot Assy - LPG	1
7	588081	Board-Insulating, Ceramic	1	28	988197	Tube-Cross Light	1
8	588170	Knob-Control Valve	1	29	588255	• Bracket-Mounting, Pilot	1
9	588399	Bush-Plastic	2	30	588252	• Nut-Olive, M10 x 1	1
10	588332	Rod-Control Valve	1	31	588382	• Jet-Pilot, 0.48 Combined - Natural Gas	1
11	588322	Universal-Control Valve	1	•	588391	• Jet-Pilot, 0.30 Combined - LPG	1
12	503652	Clip, Hairpin Dia 1.4mm	2	32	503625	• Screw, Set-Pilot Bracket	2
13	502203	Screw, Pan M4 x 12	1	33	588256	• Bracket-Support, Pilot	1
14	503593	Washer, Flat 4mm	3	34	588259	Thermocouple-750, M9 x 1	1
15	988064	Bracket-Mounting, Control Valve	1	35	588174	• Pilot Head-3 way	1
16	503630	Screw, S/T 10 x 0.4	34	36	502168	Nut, Hex M4	2
17	588051	Regulator - Natural Gas Only	1	37	588166	Electrode-Peizo, Spade Terminal	1
18	588077	Fitting-Complete 8 x 1/2" - Natural Gas Only	1	38	588079	Tube-Inlet, Pilot 3/16" x 725mm	1
19	988355	Tube-Connecting, 5/16" - Natural Gas Only	1	39	588253	Body-Pilot, Jet	1
20	788260	Valve-Control, Gas 600mm	1	40	588167	Jet-Pilot, 0.48 - Natural Gas	1
21	588354	Fitting-Complete 8 x 3/8" - Natural Gas Only	1	•	588168	Jet-Pilot, 0.30 - LPG	1
22	988065	Bracket-Mounting, Regulator - Natural Gas Only	1	41	988347	Deflector-Draught, Pilot Light	1
23	588172	Olive-Brass, M8	2	42	988061	Plate-Metering, Front - Natural Gas Only	1
24	588393	Nut-Compression, 8mm	2	43	988145	Plate-Metering, Rear - Natural Gas Only	1
25	588344	Tube-Main Injector	1	44	988343	Log-Ceramic, Front	1
26	588173	Injector-Main, 0.95 - Natural Gas	1	45	503704	Screw, S/T 8 x 0.5	8
•	588175	Injector-Main, 1.50 - LPG	1	46	503726	Screw, S/T 8 x .75	6
				47	991374	Bracket-Middle Log	2
				48	988373	• Log-Ceramic, Middle	1
				49	988056	• Log-Ceramic, Rear	1

Bold Text = Assemblies
Bulleted Text = Items included in Assemblies

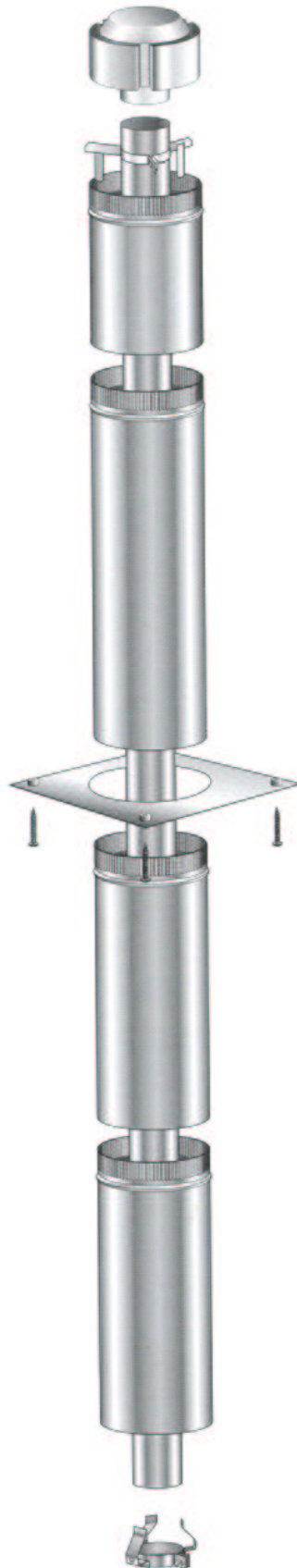


Part No. 788465 Black

Item No	Part No	Description	Qty	Item No	Part No	Description	Qty
1	791150	Panel-Fan Mounting - Black	1	11	501856	Nut, M5	2
2	588459	Loom-Adaptor, Fan	1	12	502068	Clamp-Cable	1
3	586734	Bush-Plastic	1	13	988469	Cover-Fan Motor, Bottom	1
4	501767	Rivet-Pop, 3.2 Dia x 3.2	9	14	988468	Cover-Fan Motor, Top	1
5	503630	Screw, S/T 10 x .4	4	15	586174	Fan, 3 Speed - Single End	1
6	501857	Screw, Pan M5 x 10	1			NOT ILLUSTRATED	
7	588068	Loom-3 Pin, Fan	1				
8	577089	Nut-Cable	1				
9	503371	Washer, Fan Disc 5 ID x 10 OD	1		591321	Terminal-Utilux	4
10	503106	Washer, Flat M5	2				



Freestanding B Vent Gas Flue Kit - Black



NZ ONLY

Flue Kit Part Number: 588656



Part No	Description	Qty
NOT ILLUSTRATED		
556123	Paint, Touch Up - Black	1
503054	Tie-Nylon, Cable	1
503662	Retainer-Cable, Jet Press	1
791390	Kit-Ignitor, Retrofit	1
591353	Owners Manual	1