

# Masport®

## ***FREESTANDING GAS FIRES***

### ***BALTIMORE*** ***Natural Gas / LPG*** (New Zealand - RMT- Flued)

<b><i>Part Numbers</i></b>	<b><i>- Natural Gas</i></b>	<b><i>Black</i></b>	<b><i>988881</i></b>
	<b><i>- LPG</i></b>	<b><i>Black</i></b>	<b><i>988882</i></b>

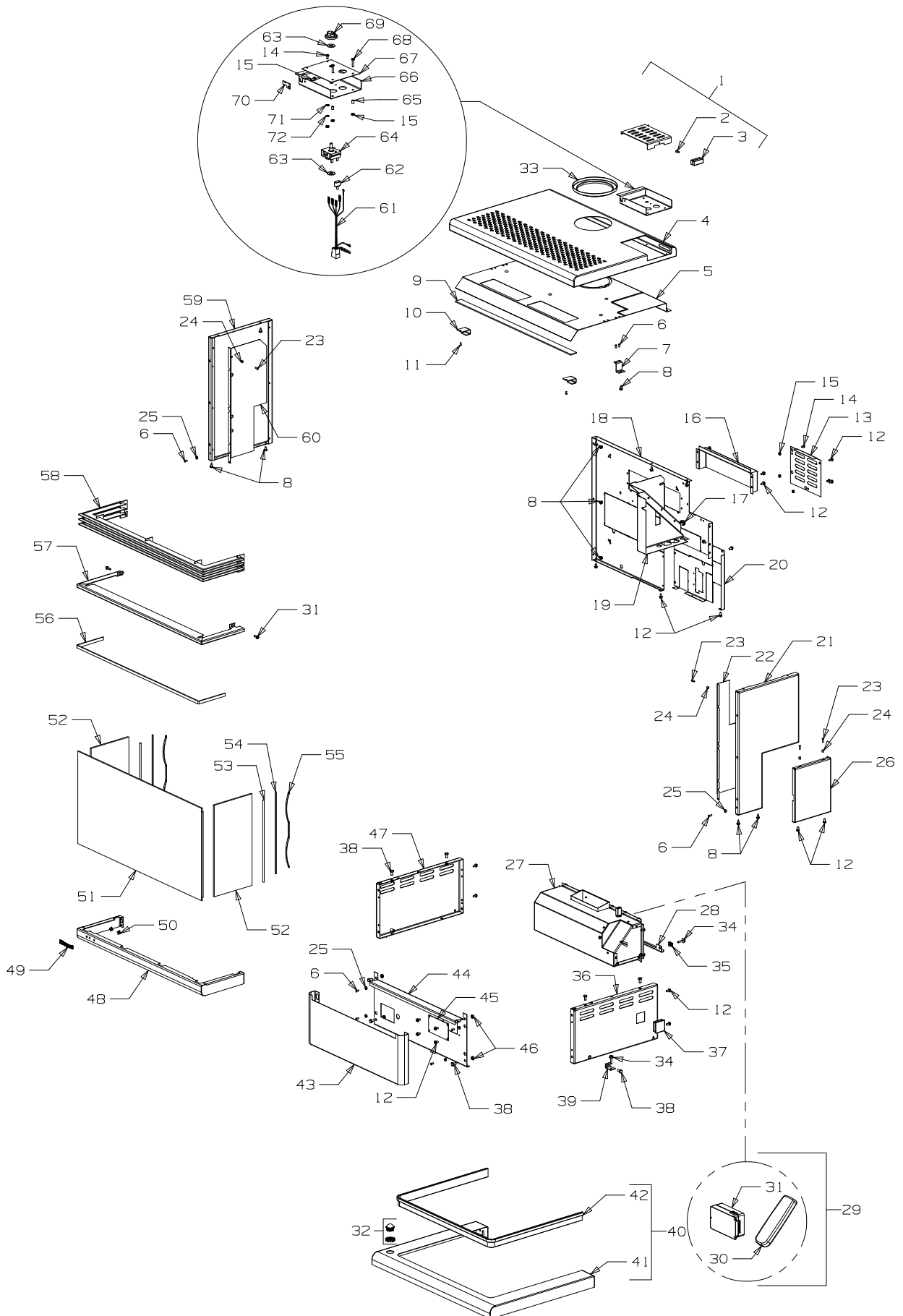
***From Serial Number 4005943***





# Masport®

**BALTIMORE**  
**RMT NG/LPG**  
(1999 to \_\_\_\_\_)



When ordering PLEASE QUOTE PART NUMBER & Description, NOT Illustration No.  
Determine right or left hand side from standing in viewing position



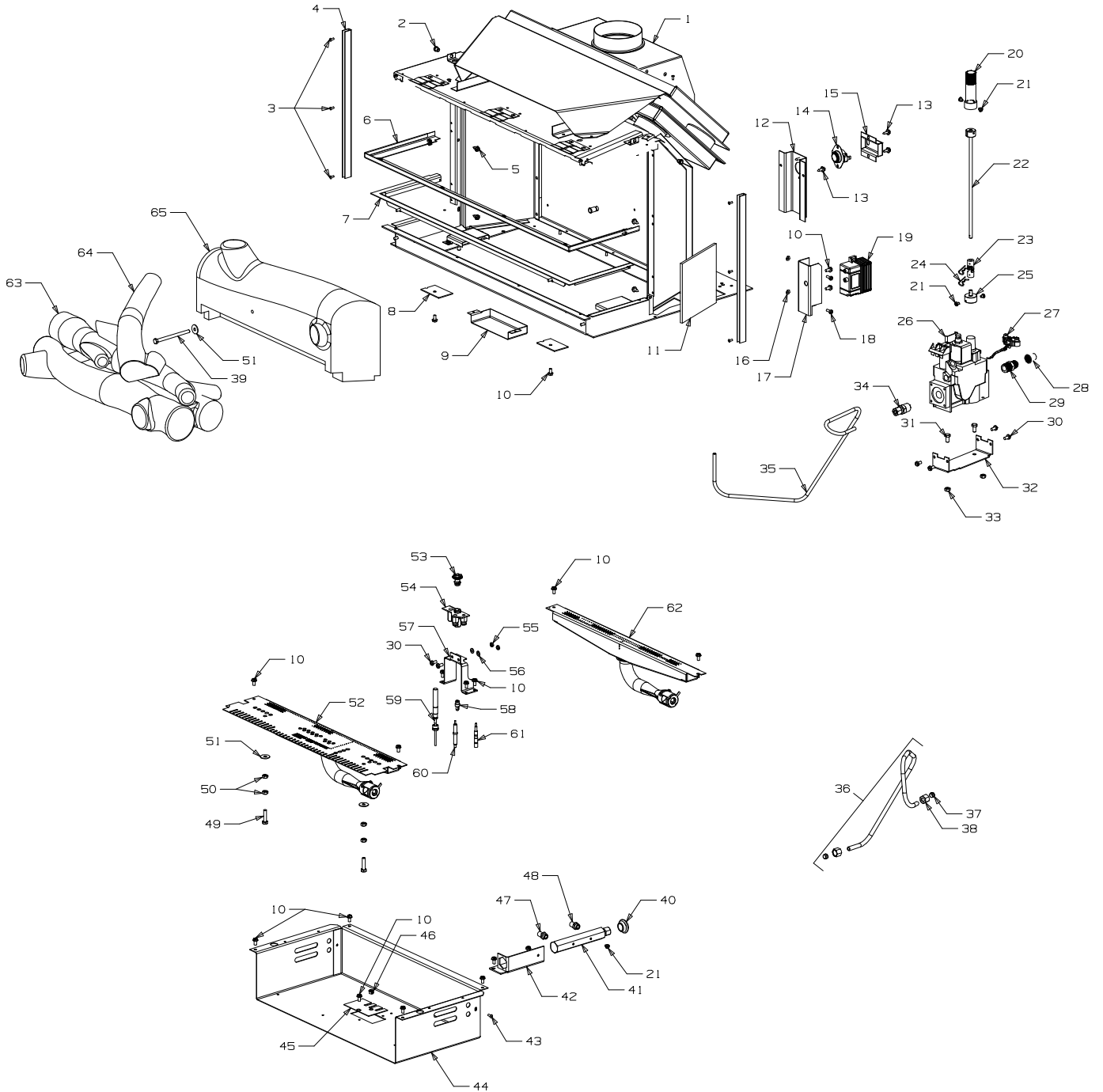
<i>Item No</i>	<i>Part No</i>	<i>Description</i>	<i>Qty</i>	<i>Item No</i>	<i>Part No</i>	<i>Description</i>	<i>Qty</i>
1	791078	Lid-Control, Long - Black	1	35	503388	Nut-Spire	2
2	503004	Screw; CSK No. 8 x 5/8"	1	36	791104	Panel-Pedestal, RH - Black	1
3	588233	Knob-Cover, Control Valve	1	37	586155	Plug-Switch Hole	1
4	791090	Panel-Top - Black	1	38	501959	Screw, Set M6 x 12	12
5	991023	Heatshield-Top	1	39	986413	Bracket-Seismic Restraint	2
6	586167	Rivet-Pop 4.0 Dia x 4.8	10	40	991145	<b>Foot Assy - Black</b>	1
7	988082	Bracket-Mountng, Heatshield	2	41	991116	• Panel-Foot	1
8	503259	Screw; S/T 10 x .5	23	42	991120	• Trim-Foot	1
9	700714	Tape - 3 x 25 x 610	1	43	791102	Panel-Pedestal, Fornt - Black	1
10	991201	Hook-Suspension, Louvre	2	44	988629	Panel-Pedestal, Front Inner	1
11	503429	Rivet-Pop 3.2 Dia x 4.8	8	45	988665	Panel-Access, Venturi	1
12	503630	Screw; S/T 10 x .4	70	46	501682	Nut, M6 Hex	6
13	791081	Panel-Access, Piezo - Black	1	47	791103	Panel-Pedestal, LH - Black	1
14	503621	Screw, Pan M4 x 8	6	48	791101	<b>Panel Assy-Front - Black</b>	1
15	503622	Nut, M4 Hex	8	49	584581	• Badge	1
16	791093	Cover-Rear, Diverter - Black	1	50	503381	• Push Fix, Spire	2
17	586734	Bush-Plastic	2	51	788741	Glass - 5 x 661 x 333	1
18	791088	Panel-Rear - Black	1	52	788575	Glass - 5 x 330 x 162	2
19	791024	Heatshield Assy - Control Panel	1	53	788510	Rope-Glass, Fibre 5.5	2
20	791091	Panel-Rear Access - Black	1	54	588062	Strip-Backing, Glass Spring	2
21	791099	Panel-Side, RH - Black	1	55	588048	Spring-Glass Retainer	2
22	988584	Heatshield-Side, RH	1	56	790229	Kit-Glass Tape, Flat 3 x 10	1
23	501303	Rivet-Pop 4.0 Dia x 7.9	4	57	791239	Trim-Glass, Retainer - Gold	1
24	986148	Spacer-Grille	6	58	791098	Louvre Assy - Black	1
25	986149	Spacer-Front Panel	6	59	791100	Panel-Side, LH - Black	1
26	791080	Panel-Access, Control - Black	1	60	988670	Heatshield-Side, LH	1
27	791154	Fan Assy-Top Switch - Black	1	61	588460	Loom-Fan, Remote	1
28	995612	Bracket-Seismic Restraint	1	62	588507	Terminal-Utilux, 6.3mm	1
29	591113	<b>Remote Control Kit</b>	1	63	501704	Washer, Flat 10 x 19 x 1.6	2
30	556131	• Control-Remote	1	64	585624	Switch-4 Position	1
31	556132	• Control Box	1	65	988388	Spacer-Control Panel	2
32	791155	• Reciever & Nut	1	66	988397	Panel-Backing, Control	1
33	791105	Collar-Flue - Black - NZ Only	1	67	591227	Plate-Control Panel	1
34	503459	Screw, S/T 12 x 25	6	68	503661	Screw, Pan M4 x 20	2
				69	585625	Knob-Fan Switch	1
				70	988435	Catch-Hinge, Lid	1
				71	503371	Washer, Fan Disc - 5 ID x 10 OD Ext	1
				72	503106	Washer, Flat 5 Brs	1

**Bold Text** = Assemblies  
**Bulleted Text** = Items included in Assemblies



# Masport®

**BALTIMORE**  
**RMT NG/LPG**  
(1999 to \_ \_ \_ \_)

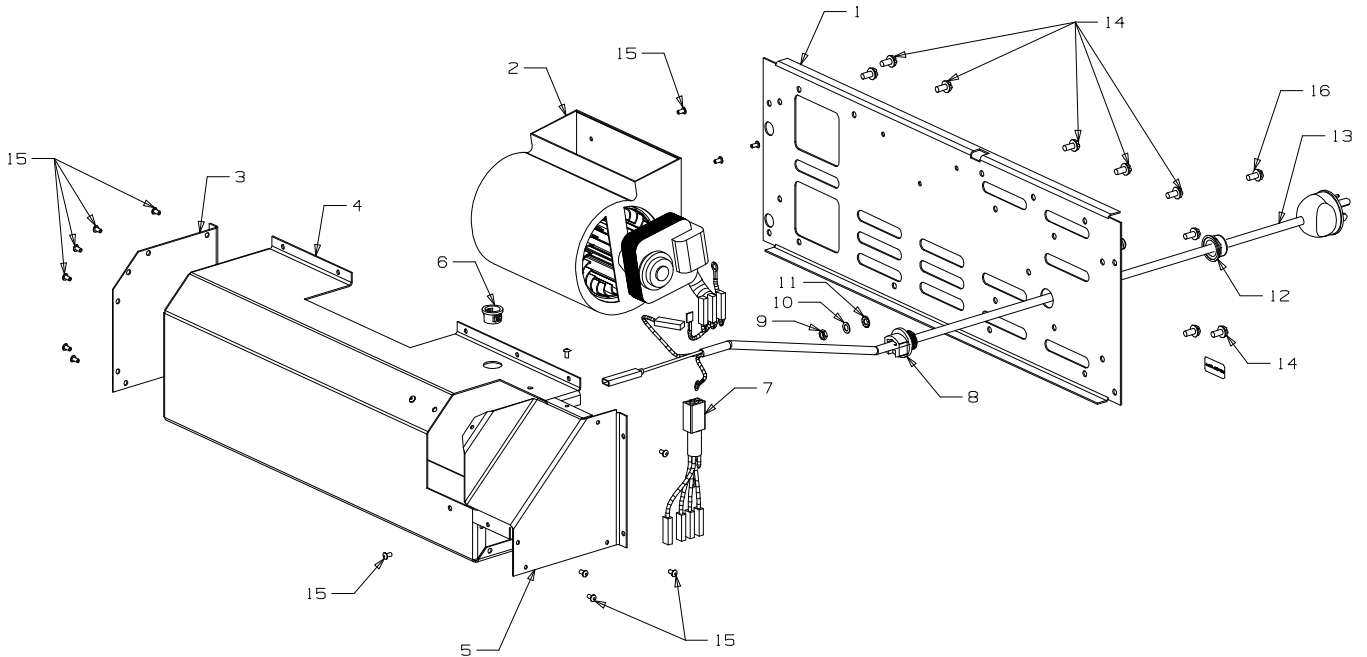


When ordering PLEASE QUOTE PART NUMBER & Description, NOT Illustration No.  
Determine right or left hand side from standing in viewing position



<i>Item</i>	<i>Part No</i>	<i>Description</i>	<i>Qty</i>	<i>Item</i>	<i>Part No</i>	<i>Description</i>	<i>Qty</i>
1	991045	Firebox Assy-Complete	1	36	788663	<b>Tube-Main Injector</b>	1
2	503474	Nut, M5 Nutsert	2	37	588172	• Olive-Brass, M8	2
3	503429	Rivet-Pop 3.2 Dia x 4.8	8	38	588393	• Nut-Compression, 8mm	2
4	788577	Trim-Glass Retainer, Rear		39	503677	Bolt, M6 x 90	1
		- Silver	2	40	501086	Grommet-19mm	1
5	503259	Screw, S/T 10 x .5	23	41	588566	Manifold-Burner	1
6	791019	Trim-Glass, Bottom	1	42	988591	Plate-Mounting, Injector	1
7	988625	Plate-Cover, Glass	1	43	586167	Rivet-Pop 4.0 Dia x 4.8	10
8	988557	Plate-Stop, Spillage	2	44	788585	Tray-Burner, Pedestal	1
9	988652	Cover-Secondary Air, Front	1	45	988621	Plate-Cover, Heatshield	1
10	503630	Screw; S/T 10 x .4	70	46	588399	Bush-Plastic	2
11	588081	Board-Insulating, Ceramic	1	47	588624	Injector-Main, 0.80	
12	991177	Bracket-Mount, Thermodisc	1			- Natural Gas	1
13	503704	Screw; S/T 8 x .5	4	•	588596	Injector-Main, 1.20 - LPG	1
14	591119	Thermodisc-Fan	1	48	588592	Injector-Main, 0.85	
15	991304	Shield-Thermodisc Terminal	1			- Natural Gas	1
16	502168	Nut, M4 Hex	2	•	588596	Injector-Main, 1.20 - LPG	1
17	991232	Heatshield-Battery, Ignition	1	49	501963	Screw, Set M6 x 25	2
18	502203	Screw, Pan M4 x 12	2	50	503613	Nut, M6 Hex Stainless	4
19	591221	Igniter-Battery	1	51	503196	Washer; Flat 1/4" x .75	3
20	988412	Knob-Control, On/Off	1	52	788588	Burner Assy-Front	
21	503631	Screw, Pan M4 x 5	8			- Natural Gas	1
22	588421	Rod-Control Valve	1	•	788726	Burner Assy-Front - LPG	1
23	588322	Universal-Control Valve	1	53	591243	Pilot Hood-4 Flame	1
24	503652	Clip-Hairpin, Dia 1.4mm	2	54	591332	Pilot-Housing, TLP	1
25	588420	Adaptor-Control Rod	1	55	501856	Nut, M5 Hex	2
26	791158	Valve-Control, Gas 'SIT' 825		56	501330	Washer, Flat 5 x 10 1	2
		- Natural Gas	1	57	988597	Bracket-Mounting, Pilot	1
•	791157	Valve-Control, Gas 'SIT' 825		58	591240	Jet-Pilot 0.51 - Natural Gas	1
		- LPG	1	•	591242	Jet-Pilot 0.35 - LPG	1
27	591222	Switch-Battery Ignition	1	59	588408	Thermopile-580Mm, 750Mv	1
28	589004	Nut-Flare 3/8"	1	60	588403	Electrode-Piezo, Round	1
29	588076	Fittng-Flar 3/8" F x 3/8" BSP	1	61	591147	Thermocouple-999, 11/32"	1
30	501857	Screw, Pan M5 x 10	8	62	788587	Burner Assy-Rear	
31	501959	Screw, Set M6 x 12	12			- Natural Gas	1
32	988395	Bracket-Mounting, Control Valve	1	•	788725	Burner Assy-Rear - LPG	1
33	501682	Nut, M6 Hex	6	63	790110	Log-Ceramic, Front	1
34	588354	Fittng-Complete 8 x 3/8"	1	64	788610	Log-Ceramic, Top	1
35	791146	Tube-Inlet, Pilot 1/4"	1	65	790111	Log-Ceramic, Rear	1

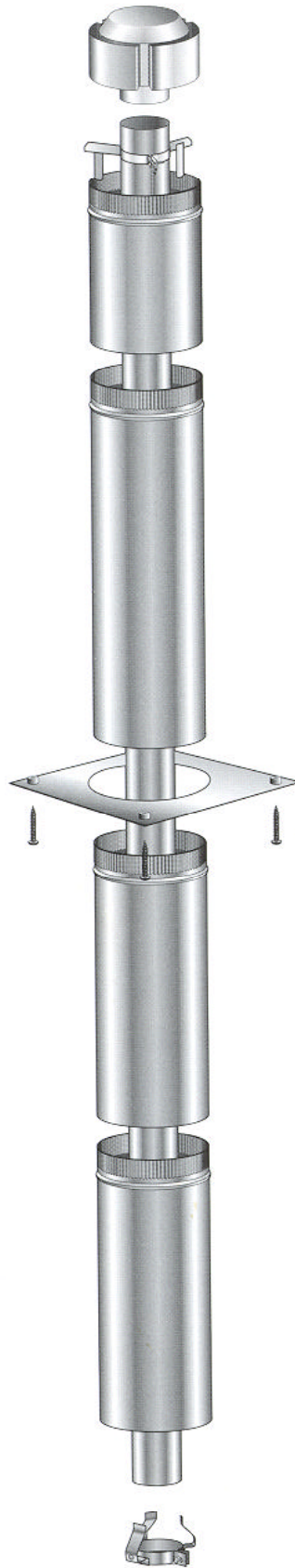
**Bold Text** = Assemblies  
**Bulleted Text** = Items included in Assemblies



## Part No. 791154

Item No	Part No	Description	Qty	Item No	Part No	Description	Qty
1	791150	Panel-Fan Mounting - Black	1	11	503371	Washer, Fan Disc 5 ID x 10 OD	1
2	586174	Fan-3 Speed	1	12	577089	Nut-Cable	1
3	988679	Cover-Fan, LH	1	13	588068	Loom-3 Pin, Fan	1
4	988678	Cover-Fan	1	14	503630	Screw, S/T 10 x .4	13
5	988714	Cover-Fan, RH	1	15	501767	Rivet-Pop 3.2 Dia x 3.2	17
6	586734	Bush-Plastic	1	16	501857	Screw, Pan M5 x 10	1
7	588459	Loom-Adaptor, Fan	1			<b>NOT ILLUSTRATED</b>	
8	502068	Clamp-Cable	1				
9	501856	Nut, M5 HEX	2				
10	503106	Washer, Flat M5	2				
					591321	Insulator-Utilux, Fan	1





## ***Flue Kit Part Number: 588656***



<b>Part No</b>	<b>Description</b>	<b>Qty</b>
<b>NOT ILLUSTRATED</b>		
<b>556123</b>	Paint, Touch Up - Black	<b>1</b>
<b>503662</b>	Retainer-Cable, Jet Press	<b>1</b>
<b>588404</b>	Wire-Earth, Piezo	<b>1</b>
<b>588666</b>	Embers-Medium Coals, 12 Oz.	<b>1</b>
<b>591141</b>	Loom Assy-Thermodisc	<b>1</b>
<b>591255</b>	Lead-Piezo, Battery Ignition	<b>1</b>
<b>591299</b>	Lead-Earth, Piezo	<b>1</b>
<b>588713</b>	Loom Assy-Remote	<b>2</b>
<b>591310</b>	Terminal-Utilux, 4.8mm	<b>2</b>
<b>503054</b>	Tie-Nylon Cable	<b>4</b>
<b>788606</b>	Kit-Conversion - NG to LPG	<b>1</b>
<b>791039</b>	Kit-Conversion - LPG to NG	<b>1</b>
<b>591193</b>	Owners Manual	<b>1</b>
<b>991045</b>	<b>Firebox Assy-Complete</b>	<b>1</b>
<b>503429</b>	• Rivet-Pop 3.2 Dia x 4.8	<b>6</b>
<b>503621</b>	• Screw, Pan M4 x 8	<b>6</b>
<b>503622</b>	• Nut, M4 Hex	<b>6</b>
<b>503630</b>	• Screw; S/T 10 x .4	<b>8</b>
<b>586167</b>	• Rivet-Pop 4.0 Dia x 4.8	<b>7</b>
<b>988557</b>	• Plate-Stop, Spillage	<b>2</b>
<b>988576</b>	• Base Plate	<b>1</b>
<b>988577</b>	• Trim-Glass Retaner, Rear	<b>2</b>
<b>988625</b>	• Plate-Cover, Glass	<b>1</b>
<b>988627</b>	• Plate-Stop, Spillage LH	<b>1</b>
<b>988628</b>	• Plate-Stop, Spillage RH	<b>1</b>
<b>988649</b>	• Cover-Secondary Air, Side	<b>2</b>
<b>991019</b>	• Trim-Glass, Bottom	<b>1</b>
<b>991021</b>	• Firebox Assy	<b>1</b>

**Bold Text** = Assemblies  
**Bulleted Text** = Items included in Assemblies