

Owners & Installation

Manual

LISTINGS AND CODE APPROVALS

These gas appliances have been tested in accordance with AS4553AG 103, NZS 5262 and have been certified by the Australian Gas Association for installation and operation as described in these Installation and Operating Instructions.

Your unit should be serviced annually by an authorised service person.

Masport®

PG33 Gas Inbuilt

FireGenie™

Models:
PG33-NG
PG33-LPG



PLEASE KEEP THESE INSTRUCTIONS FOR FUTURE REFERENCE

WARNING:

Improper installation, adjustment, alteration, service or maintenance can cause injury or property damage. Refer to this manual. For assistance or additional information consult an authorised installer, service agency or the gas supplier.

FOR YOUR SAFETY

Do not store or use gasoline or other flammable vapours and liquids in the vicinity of this or any other appliance.

Installation and service must be performed by an authorised installer, service agency or the gas supplier.

FOR YOUR SAFETY

What to do if you smell gas:

- Do not try to light any appliance
- Do not touch any electrical switch: do not use any phone in your building.
- Immediately call your gas supplier from a neighbour's phone. Follow the gas supplier's instructions.
- If you cannot reach your gas supplier, call the fire department.

Head Office - New Zealand
1-37 Mt Wellington Hwy. Panmure,
P.O. Box 14349
Auckland 6.

Australia
P.O. Box 533
Braeside, Victoria, 3195

TO THE NEW OWNER:

Congratulations!

You are the owner of a state-of-the-art Gas Stove by FPI FIREPLACE PRODUCTS INTERNATIONAL. The PG33 has been designed to provide you with all the warmth and charm of a wood fireplace. The model PG33 has been approved by the Australian Gas Association for both safety and efficiency. As it also bears our own mark, it promises to provide you with economy, comfort and security for many trouble free years to follow. Please take a moment now to acquaint yourself with these instructions and the many features of your Masport Fireplace.

TABLE OF CONTENTS

Safety Label		Operating Instructions	
Safety Label	4	Lighting Plate Instructions	38
Installation		Remote Control	39
Important Message	5	Operating Instructions	39
Before You Start	5	Lighting Procedure	39
General Safety Information	5	Resetting the Unit	39
Manufactured Home Additional Requirements	5	Shutdown Procedure	39
Installation Checklist	6	First Fire	39
Unit Dimensions	6	Fan Operation	40
HeatWave Duct System Option	6	Flame Height	40
Locating Your Gas Stove	6	Summary of Controls	40
Clearances	7	Pilot Adjustment	40
Combustible Mantel Clearances	7	Normal Operating Sounds	40
Mantel Leg Clearances	7	Maintenance	
Framing and Finishing	8	Maintenance Instructions	41
Unit Assembly Prior to Installation	9	Gold-Plated or Brass Louvers	41
Flueing Introduction	9	Gold Plated or Brass Trim	41
Exterior Flue Termination Locations	10	Log Replacement	41
Flueing - Masport Direct Flue System (Flex)		Glass Gasket	42
Horizontal Terminations only	11	Door Glass: Flush and Bay Glass	42
Flueing - Installation of Masport Direct Flue		Fan Replacement	43
System (Flex)	12	Removing Valve Tray	44
Flueing - Simpson Dura-Flue System	13	Parts List	
Simpson Dura-Flue Components List	14	Replacement/Spare Parts List	45
Flueing - Vertical Terminations	15	Warranty	
Flueing - Horizontal Terminations (NG & LPG)	17	Warranty	51
Flueing - Horizontal Terminations (ULPG)	18		
Vertical Terminations - Co-Linear Flex System	22		
Flueing Arrangements	23		
Flueing - Horizontal Installations	24		
Flueing - Vertical Termination	25		
System Data	26		
Gas Connection	26		
Gas Pipe Pressure Test	26		
SIT Valve Description	26		
Aeration Adjustment	26		
Conversion to LPG	27		
Conversion to ULPG	29		
Conversion to ULPG with Burner	31		
Optional Brick Panels	33		
Log Installation	33		
Flush Door - Standard	34		
Flush Trim (optional)	34		
Louvers - Flush	35		
Double Screen Door	35		
Bay Front (optional)	35		
Bay Trim (optional)	36		
Louvers - Bay	36		
Wiring Diagram	37		

SAFETY LABEL

This is a copy of the label that accompanies each PG33 Gas Fireplace. We have printed a copy of the contents here for your review.

DATA BADGE NOTE: Masport units are constantly being improved. Check the label on the unit and if there is a difference, the label on the unit is the correct one.

Masport Gas Fireplace

Model	<input type="radio"/>	<input type="radio"/>	<input type="radio"/>
Gas Type	NG	LPG	ULPG
Model	PG33-NG	PG33-LPG	PG33-ULPG
Gas Consumption	23.7mj.	23.5mj.	20.3mj.
Manifold Pressure	0.95kPa	2.61kPa	2.40kPa
Injector Size	1x#44	1x#54	1x#55
AGA Approval number to Code AG103	6702	6702	6702

Distributed by:

Masport Pty. Ltd.
PO Box 533
Braeside, Victoria. 3195

Masport Ltd.
1-37 Mt. Wellington H/Way
Auckland 6
New Zealand

To be installed by an authorised person in accordance with installation instructions provided with the appliance.

Electrical: 240VAC 50Hz 1.0 amp max.



Serial Number 270

918-330

IMPORTANT: SAVE THESE INSTRUCTIONS

The P33-NG or P33-LPG Direct Flue Fireplace must be installed in accordance with these instructions. Carefully read all the instructions in this manual first. Consult the "authority having jurisdiction" to determine the need for a permit prior to starting the installation. It is the responsibility of the installer to ensure this fireplace is installed in compliance with manufacturer's instructions and all applicable codes.

BEFORE YOU START

Safe installation and operation of this appliance requires common sense, however, we are required by the Canadian Safety Standards and ANSI Standards to make you aware of the following:

INSTALLATION AND REPAIR SHOULD BE DONE BY A QUALIFIED SERVICE PERSON. THE APPLIANCE SHOULD BE INSPECTED BEFORE USE AND AT LEAST ANNUALLY BY A PROFESSIONAL SERVICE PERSON. MORE FREQUENT CLEANING MAY BE REQUIRED DUE TO EXCESSIVE LINT FROM CARPETING, BEDDING MATERIAL, ETC. IT IS IMPERATIVE THAT CONTROL COMPARTMENTS, BURNERS AND CIRCULATING AIR PASSAGEWAYS OF THE APPLIANCE BE KEPT CLEAN.

DUE TO HIGH TEMPERATURES, THE APPLIANCE SHOULD BE LOCATED OUT OF TRAFFIC AND AWAY FROM FURNITURE AND DRAPERIES.

WARNING: FAILURE TO INSTALL THIS APPLIANCE CORRECTLY WILL VOID YOUR WARRANTY AND MAY CAUSE A SERIOUS HOUSE FIRE.

CHILDREN AND ADULTS SHOULD BE ALERTED TO THE HAZARDS OF HIGH SURFACE TEMPERATURES, ESPECIALLY THE FIREPLACE GLASS, AND SHOULD STAY AWAY TO AVOID BURNS OR CLOTHING IGNITION.

YOUNG CHILDREN SHOULD BE CAREFULLY SUPERVISED WHEN THEY ARE IN THE SAME ROOM AS THE APPLIANCE.

CLOTHING OR OTHER FLAMMABLE MATERIAL SHOULD NOT BE PLACED ON OR NEAR THE APPLIANCE.

GENERAL SAFETY INFORMATION

- 1) The appliance shall be installed in accordance with the manufacturer's installation instructions, local gas fitting regulations, municipal building codes, water supply regulations, electrical wiring regulations, with AG 601 (AGA gas installation code) NZS 5261 (New Zealand)
- 2) Installation and repair should be done **ONLY** by an authorised person.
- 3) **THIS APPLIANCE IS NOT INTENDED AS A FIREPLACE INSERT. DO NOT CONNECT TO MASONRY FLUE.**
- 4) **This appliance must be connected to the specified flue and termination cap to the outside of the building envelope. Never flue to another room or inside a building. Make sure that the flue is fitted as per Flueing instructions.**
- 5) Inspect the flueing system annually for blockage and any signs of deterioration.
- 6) Flueing terminals shall not be recessed into a wall or siding.
- 7) Any safety glass removed for servicing must be replaced prior to operating the appliance.
- 8) To prevent injury, do not allow anyone who is unfamiliar with the operation to use the fireplace.
- 9) Wear gloves and safety glasses for protection while doing required maintenance.
- 10) Be aware of electrical wiring locations in walls and ceilings when cutting holes for termination.
- 11) Under no circumstances should this appliance be modified. Parts that have to be removed for servicing should be replaced prior to operating this appliance.

- 12) Installation and any repairs to this appliance should be done by an authorised service person. An authorised service person should be called to inspect this appliance annually. Make it a practice to have all of your gas appliances checked annually.
- 13) Do not slam shut or strike the glass door.
- 14) Under no circumstances should any solid fuels (wood, paper, cardboard, coal, etc.) be used in this appliance.
- 15) The appliance area must be kept clear and free of combustible materials, (gases and other flammable vapours and liquids).

Emissions from burning wood or gas could contain chemicals known to the State of California to cause cancer, birth defects or other reproductive harm.

MANUFACTURED MOBILE HOME ADDITIONAL REQUIREMENTS

- 1) Ensure that structural members are not cut or weakened during installation.
- 2) Ensure proper grounding using the #8 ground lug provided. See page 37.

INSTALLATION

INSTALLATION CHECKLIST

- 1) Locate appliance
 - a) Room location, page 6
 - b) Clearances to Combustibles, page 7
 - c) Mantle Clearances, page 7
 - d) Framing & Finishing Requirements, page 8
 - e) Flueing Requirements, pages 10 to 15.
- 2) Assemble Top Facing Support and Side Nailing Strips, page 9. (NOTE: must be done before installing unit into fireplace.)
- 3) Install flue, pages 10 to 25.
- 4) Make gas and electrical connections. Test the pilot. Must be as per diagram. Page 26. Convert to LPG if desired, page 27.
- 5) Install brick panels (optional), page 33.
- 6) Install logs and embers and rockwool where indicated on page 33.
- 7) Install Flush Door Front (Standard) and optional Flush Gold Trim, page 35.
- 8) Install optional Double Screen Door, page 36.
- 9) Install Optional Bay Front and optional Bay Gold Trim, page 35.
- 10) Install Louvers (Flush or Bay), pages 34 and 35.
- 11) Final check.

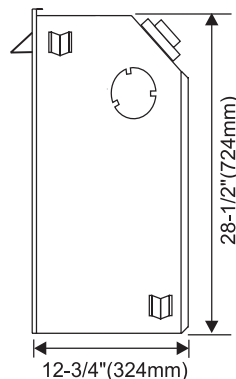
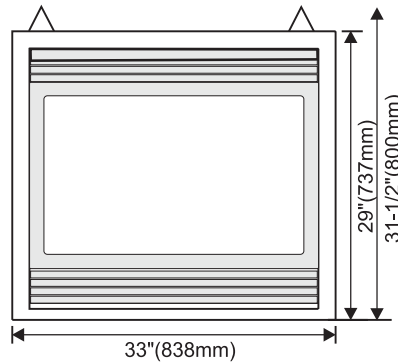
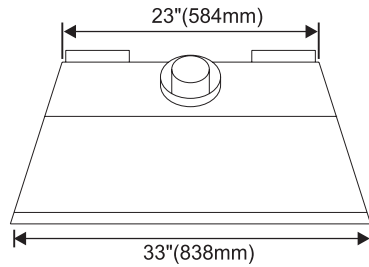
Before leaving this unit with the customer, the installer must ensure that the appliance is firing correctly and **operation fully explained to customer.**

This includes:

- 1) Clocking the appliance to ensure the correct firing rate (rate noted on label) after burning appliance for 15 minutes.
- 2) If required, adjusting the primary air to ensure that the flame does not carbon. First allow the unit to burn for 15-20 min. to stabilize.

CAUTION: Any alteration to the product that causes sooting or carboning that results in damage is not the responsibility of the manufacturer.

UNIT DIMENSIONS

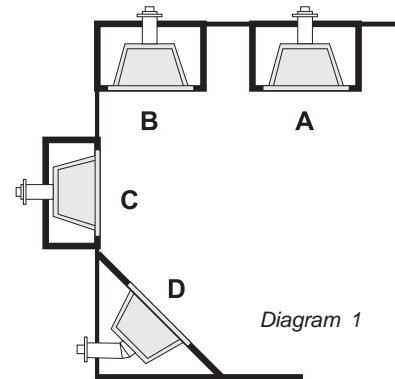


LOCATING YOUR GAS STOVE

- 1) When selecting a location for your stove, ensure that the clearances outlined on this page are met.
- 2) Provide adequate clearances for servicing.
- 3) The appliance must be installed on a flat, solid, continuous surface (e.g. wood, metal, concrete). This may be the floor, or raised up on a platform to enhance its visual impact. If the appliance is going to be installed on carpeting, combustible linoleum tile or other combustible material other than wood flooring, the appliance must be installed on a metal or wood panel extending the full width and depth of the appliance.

- 4) The PG33 can be installed in a recessed position or framed out into the room as in A, B, C, D. See Diagram 1.
- 5) This appliance is Listed for bedroom installations when used with a Listed Millivolt Thermostat. Some areas may have further requirements, check local codes before installation.
- 6) The PG33 Direct Flue Gas Fireplace is approved for alcove installations, which meet the clearances listed on this page.
- 7) We recommend that you plan your installation on paper using exact measurements before actually installing this appliance. Have a qualified inspector, dealer, or installer review your plans before installation.

Note: For flue terminations see page 10.



- A) Flat on Wall
- B) Flat on Wall Corner
- C) Recessed into Wall/Alcove
- D) Corner



DUCT SYSTEM OPTION KIT #946-556

The **HeatWave** Air Duct Kit increases the effectiveness of your fireplace by dispersing warm air from the fireplace to remote locations in the same room or other rooms in your home.

Up to two kits may be installed on the fireplace. **Please Note:** Only 1 HeatWave kit may be operated at one time. This includes the internal blower option as well.

CLEARANCES

The clearances listed below are Minimum distances unless otherwise stated:

A major cause of chimney related fires is failure to maintain required clearances (air space) to combustible materials. It is of the greatest importance that this fireplace and flue system be installed only in accordance with these instructions.

Clearance to Combustibles from:

Back	0"	(0mm)
Side	0"	(0mm)
Floor	0"	(0mm)

NOTE: The minimum floor clearance must be maintained from the top surface of the carpeting, tile, etc.

Minimum Clearance from Top of Unit to:

Mantel*	min. 7"	(177mm)
Ceiling	30"	(762mm)

from top of unit.

Side Wall Clearance

Bay or Flush Front 7-1/2" (191mm)

Minimum Flue Clearances:

2-1/2"	(64mm)	Horizontal Top
1-1/2"	(38mm)	Horizontal Side
1-1/2"	(38mm)	Horizontal Bottom
1-1/4"	(32mm)	Vertical Flue Clearance (Simpson)
1-1/2"	(38mm)	Vertical Flue Clearance (Flex)

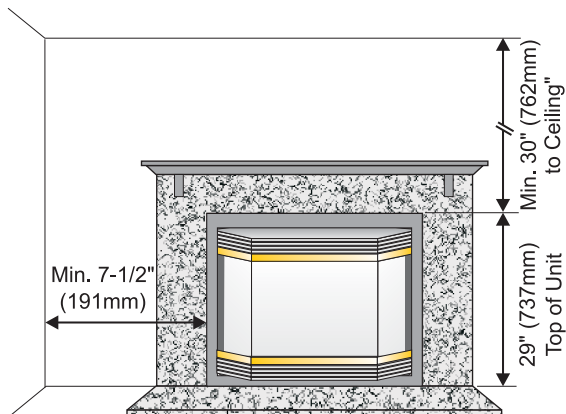
Alcove Clearances:

Max. Depth	36"	(914mm)
Min. Width	48"	(1219mm)
Min. Height	59"	(1499mm)

* see mantel clearance instructions.

WARNING

Fire hazard is an extreme risk if these clearances are not adhered to.

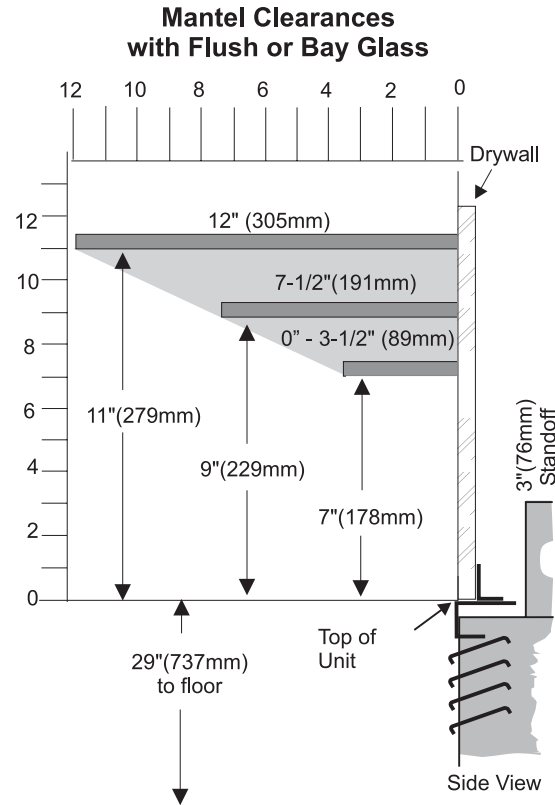


Clearances for Bay or Flush Front

COMBUSTIBLE MANTELS

Because of the extreme heat this fireplace emits, the mantel clearances are critical. Combustible mantel clearances from top of unit are shown in the diagram below.

Note: A non-combustible mantel may be installed at a lower height if the framing is made of metal studs covered with a non-combustible board.

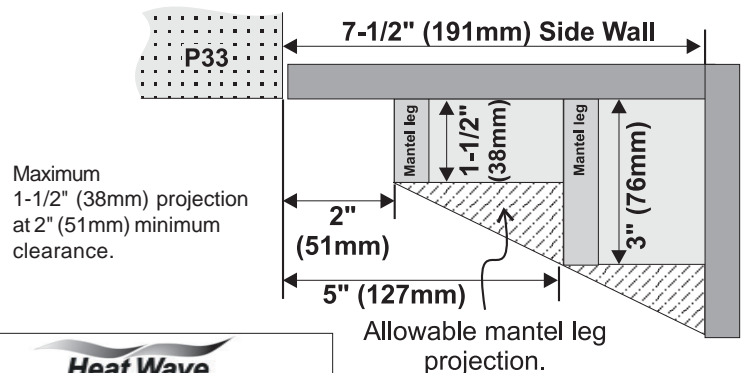


This drawing is to scale at 1:6 (one inch = 6 inches). Mantel can be installed anywhere in shaded area or higher using the above scale.

Note: Ensure the paint that is used on the mantel and the facing is "heat resistant" or the paint may discolour.

MANTEL LEG CLEARANCES

Combustible mantel leg clearances as per diagram below:



Heat Wave

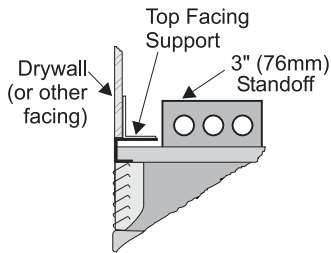
The **HeatWave** Duct Kit has different clearance and framing requirements, check the **HeatWave** manual for details.

INSTALLATION

FRAMING AND FINISHING

- 1) Determine the total thickness of facing material (e.g. drywall plus ceramic tiles) to allow the finished surface to be flush with the front of the unit. Total facing thickness can vary from 1/2" (13mm) to 1-1/4" (32mm) thick.

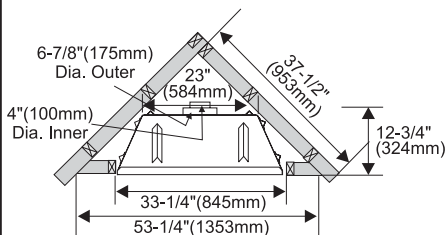
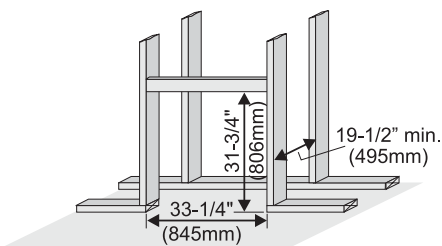
Install Side Nailing Strips, and Top Facing Support before unit is slipped into position. See page 9 for assembly details.



- 2) Frame in the enclosure for the unit with framing material.

Vertical Termination or Vertical Rise with Horizontal Termination

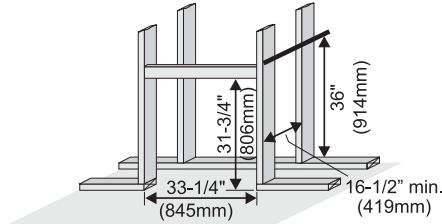
For Both Simpson & Flex



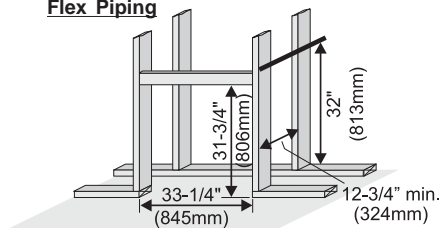
NOTE: If this is an outside corner, the minimum distance between the flue and the outside corner is 6" (15cm) with AstroCap termination cap or 12" (30cm) with Dura-Flue termination cap.

Rear Termination

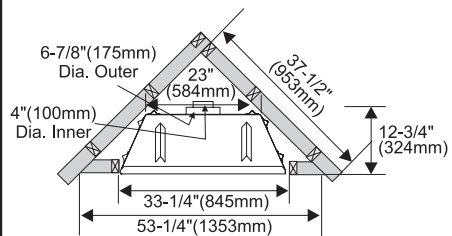
Simpson Dura-Flue Piping



Flex Piping



For Both Simpson & Flex

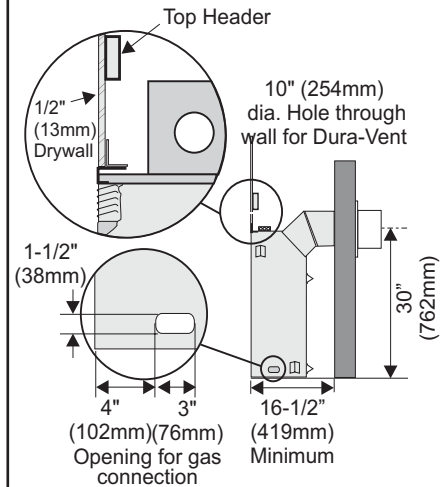


NOTE: If this is an outside corner, the minimum distance between the flue and the outside corner is 6" (15cm) with AstroCap termination cap or 12" (30cm) with Dura-Flue termination cap.

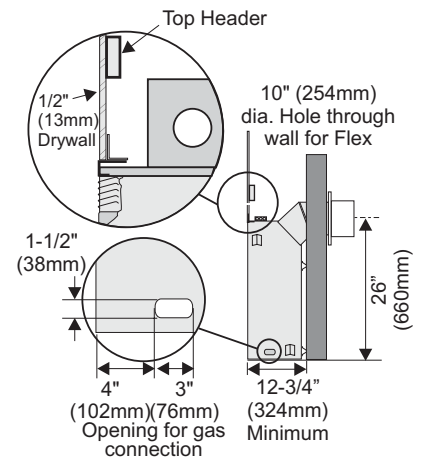
- 3) For exterior walls, insulate the enclosure to the same degree as the rest of the house, apply vapour barrier and drywall, as per local installation codes. **(Do not insulate the fireplace itself.)**
- 4) The top of the unit must not be closer than 30" (762mm) to the ceiling.
- 5) Combustible material may be brought up to the top and sides of the unit and be covered with ceramic tiles, bricks, rock or other suitable combustible finishing materials.

Note: The unit does not have to be completely enclosed in a chase. The clearance on top of the unit is 0" to the standoffs so combustible building materials can be laid directly on top of the standoffs. You must maintain clearance from the flue to combustible materials for flex for Simpson Dura-Flue, see page 7.

Simpson Dura-Flue Minimum Clearances



Flex Pipe Minimum Clearances



- 6) Use steel studs for framing where the 1-1/2" (38mm) clearance from the flue to combustible material cannot be maintained.

Heat Wave

The **HeatWave** Duct Kit has different clearance and framing requirements, check the **HeatWave** manual for details.

UNIT ASSEMBLY PRIOR TO INSTALLATION

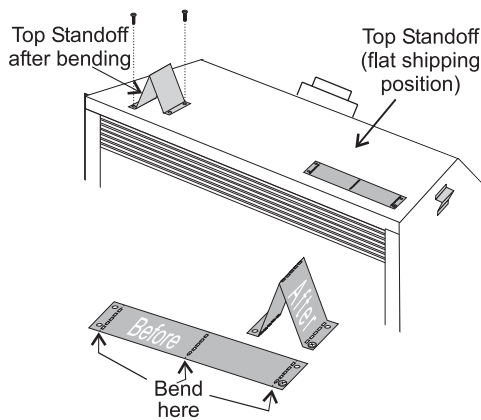
The Top Facing Support, the Side Nailing Strips and the 2 Top Standoffs must be correctly positioned and attached to the top before the unit is put into position.

Top Standoff Assembly

The top standoffs are shipped in a flat position and must be pulled up and bent into the correct shape.

- 1) Remove the standoffs from on top of the firebox by undoing the screws.
- 2) Take each standoff and bend into the correct shape. Bend up at the bend lines until the screw holes in the standoff and the pre-punched screw holes on the firebox top line-up.
- 3) Attach the standoffs securely to the top with 4 screws per standoff.

Note: Secure the standoffs to the holes closest to the edge of the firebox top.

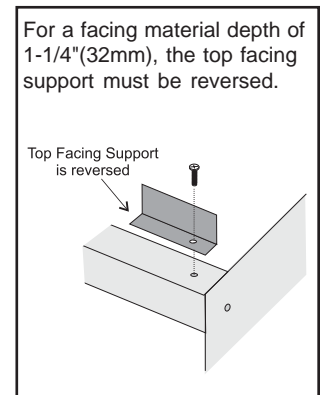
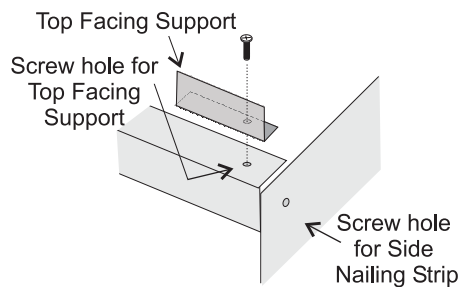
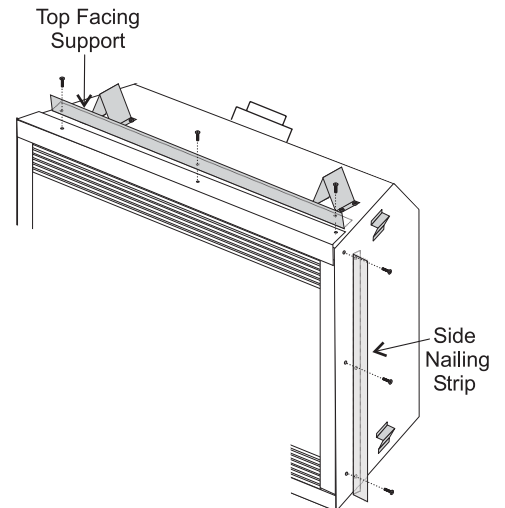


Top Facing Support & Side Nailing Strips

Determine the total thickness of facing material (e.g. drywall plus ceramic tiles) to allow the finished surface to be flush with the front of the unit. Total facing thickness can vary from 1/2" (13mm) to 1-1/4" (32mm) thick.

The Top Facing Support & Side Nailing Strips can be mounted in various positions depending on the thickness of the facing material.

- 1) Mount Top Facing Support using the 3 supplied screws into the three pre-punched screw holes on the top front of the unit. Adjust support to desired facing material depth.
- 2) Mount Side Nailing Strip using the 3 supplied screws into the three pre-punched screw holes at the front sides of the unit. Adjust support to desired facing material thickness.



FLUEING INTRODUCTION

The PG33 uses the "balanced flue" technology Co Axial system. The inner liner flues products of combustion to the outside while the outer liner draws outside combustion air into the combustion chamber thereby eliminating the need to use heated room air for combustion and losing warm room air up the chimney.

There are 2 flue systems approved for use with the PG33: the Masport Direct Flue System (Flex) for Horizontal Terminations only (see pages 11-12), and the Simpson Dura-Flue Systems for Horizontal and Vertical Terminations (see pages 13-25).

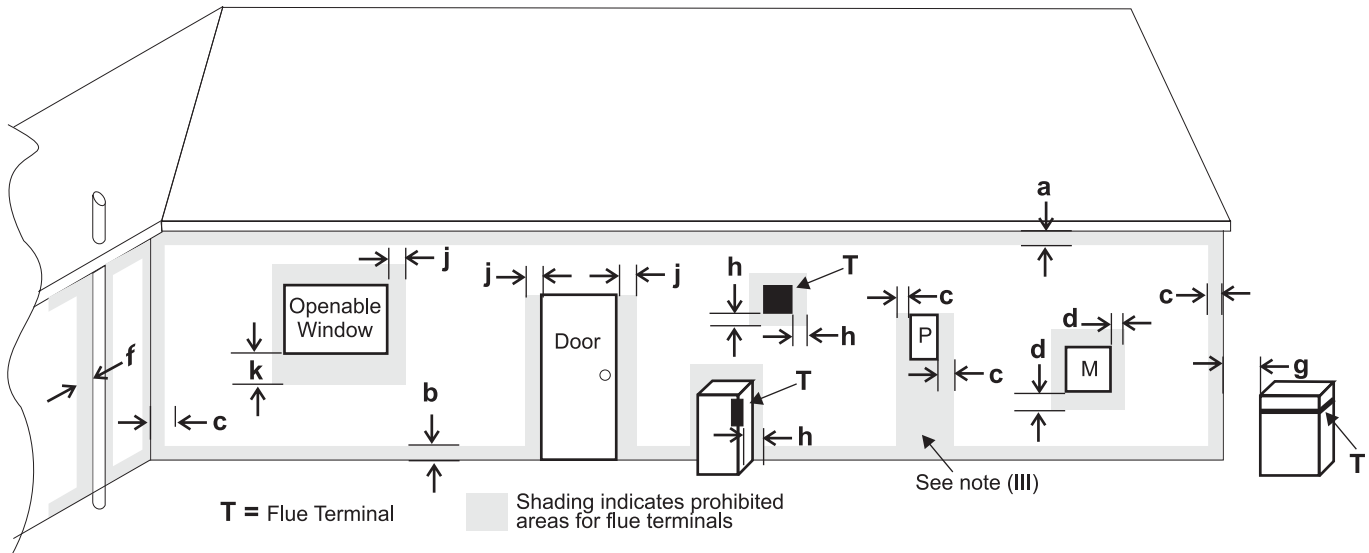
Note: These flue pipes must not be connected to any other appliance.

The gas appliance and flue system must be flueed directly to the outside of the building, and never be attached to a chimney serving a separate solid fuel or gas burning appliance. Each direct flue gas appliance must use its own separate flue system. Common flue systems are prohibited.

NOTE: Ensure compliance with the outside flue terminal location before cutting hole as both dimensions must be met.

INSTALLATION

EXTERIOR FLUE TERMINATION LOCATIONS



Minimum clearances required for balanced flue terminals or the flue terminals of outdoor appliances according to AG 601 (AGA gas installation code) or NZS 5261 (New Zealand)

	Minimum Clearance (mm)
a Below eaves, balconies or other projections:	
- Appliances up to 50 MJ/h input	300
- Appliances over 50 MJ/h input	500
b From the ground or above a balcony	300
c From a return wall or external corner	500
d From a gas meter (M)	1000
e From an electricity meter or fuse box (P)	500
f From a drain or soil pipe	150
g Horizontal from any building structure (unless appliance is approved for closer installation) or obstruction facing a terminal	500
h From any other flue terminal, cowl or combustion air intake	500
j Horizontally from an openable window, door, or non-mechanical air inlet, or any other opening into a building, with the exception of sub-floor ventilation (see also Note (I)):	
- Appliances up to 150 MJ/h input	500
- Appliances over 150 MJ/h input	1500
k Vertically below an openable window, door, or non-mechanical air inlet, or any other opening into a building, with the exception of sub-floor ventilation (see also Note (I)): see table below	

Clearance 'k' in mm			
Space Heaters	All Other Appliances		
Up to 50 MJ/h input	Up to 50 MJ/h input	Over 50 MJ/h input to 150 MJ/h input	Over 150 MJ/h input
150	500	1000	1500

NOTES:

- (I) For mechanical air inlets, including spa blowers, the clearance 'j' and 'k' shall be 1500 mm in all cases.
- (II) All distances shall be measured vertically or horizontally along the wall to a point in line with the nearest part of the terminal.
- (III) Prohibited area below electricity meter or fuse box extends to ground level.
- (IV) A flue terminal of this type shall not be located under a roofed area unless the roofed area is fully open on at least two sides and a free flow of air at the appliance is achieved.

MASPORT DIRECT FLUE SYSTEM (FLEX) HORIZONTAL TERMINATIONS ONLY

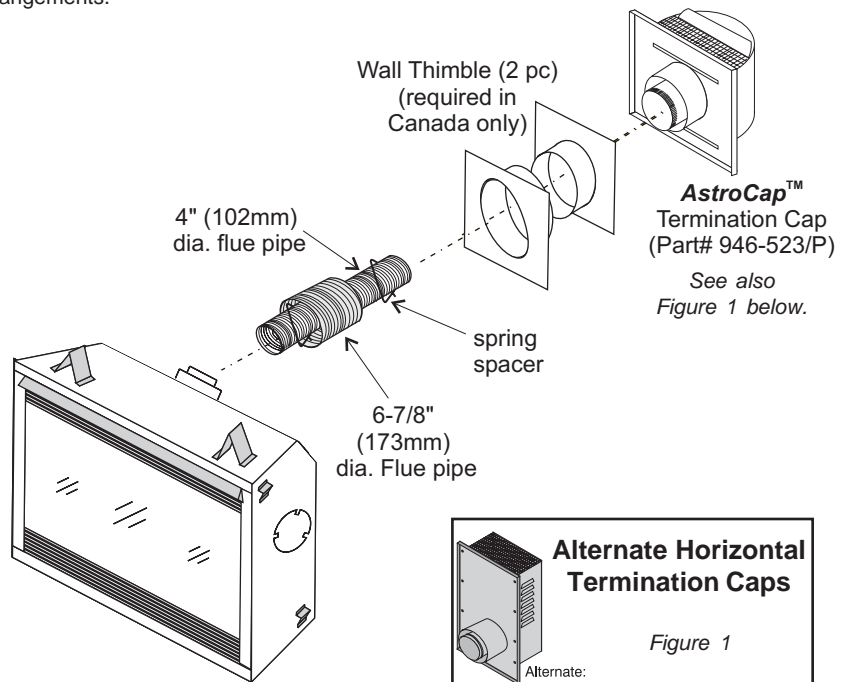
This flueing system, in combination with the PG33 Direct Flue Gas Fireplace, have been tested and listed as a direct flue heater system by AGA. The location of the termination cap must conform to the requirements in the Flue Terminal Locations diagram on page 10.

Masport Direct Flue (Flex) System Termination Kit (Part # 946-513) includes all the parts needed to install the PG33 with a maximum run of 2 feet. If installing the P33 with a **continuous** flue length of more than 2 ft (.6m) to a maximum of 10 ft. (3.0m) using Kit # 946-515 (4 ft) or 946-516 (10 ft) or see page 13 for alternate flueing arrangements.

- 1) 6-7/8" dia. flexible liner (2 ft. length)
- 2) 4" dia. flexible liner (2 ft. length)
- 3) spring spacers (3)
- 4) thimble (2)
- 5) **AstroCap** termination cap (1)
- 6) screws (12)
- 7) tube of Mill Pac (1)
- 8) plated screws (8)
- 9) screws #8 x 1-1/2" drill point, stainless steel (4)

Notes:

- 1) Liner sections should be continuous without any joints or seams.
- 2) Only Flex pipe purchased from Masport may be used for Flex installations.

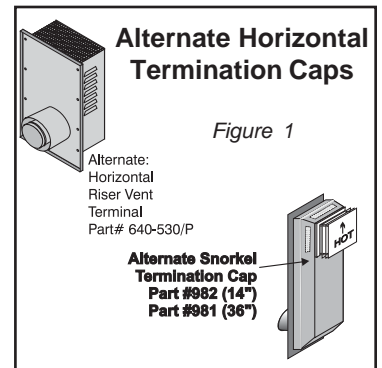


IMPORTANT

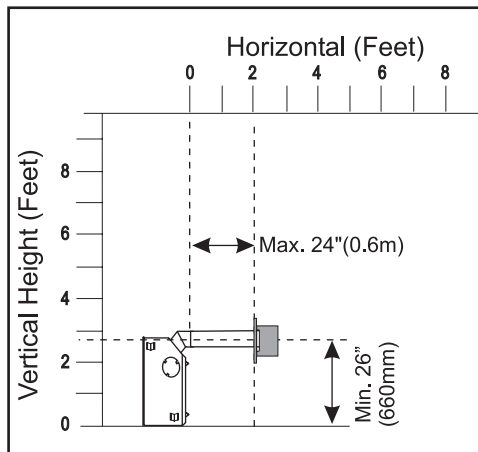
If using any Cabinet Mantels with Part# 510956, 510958, 510962, 510964 and 510834 the wall thimble must be secured first and flueing must be attached to unit before sliding into final position.

Also Simpson Dura-Flue flueing cannot be used with any of the mantels noted above.

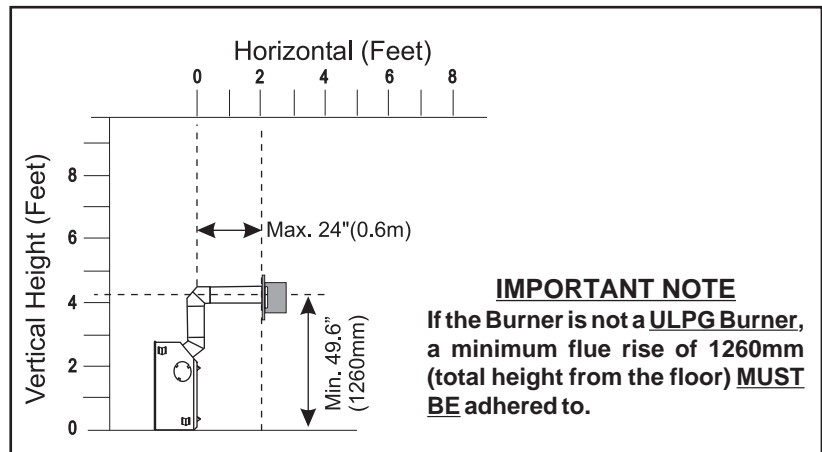
Wherever necessary due to external location of cap, the AstroCap can be replaced with the FPI Riser Flue Termination Cap or the Dura-Vent Snorkel Termination Cap.



Minimum Flex Kit Center-Line (NG & LPG)



Minimum Flex Kit Center-Line (ULPG)



IMPORTANT NOTE
If the Burner is not a ULPG Burner, a minimum flue rise of 1260mm (total height from the floor) **MUST BE** adhered to.

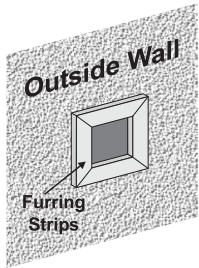
INSTALLATION

INSTALLATION PROCEDURES

for Masport Direct Flue System (Flex)

- 1) Locate the unit in the framing, rough in the gas (preferably on the right side of the unit) and the electrical (Junction block is on the left side) on the left. Locate the centerline of the termination and mark wall accordingly. Cut a 10" (254mm) hole in the wall (inside dimension).

Note: To make the installation more aesthetically pleasing, we recommend framing out a square to mount the terminal to.

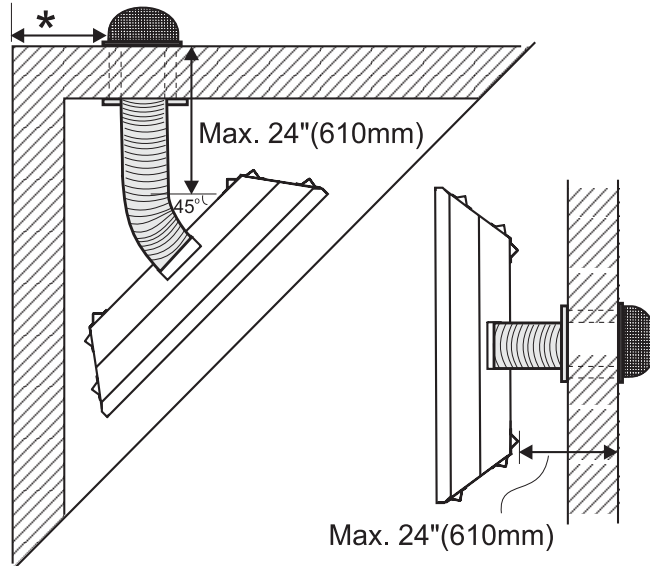


Note: A 2-1/2" (64mm) horizontal top and 1-1/2" (38mm) horizontal sides & bottom clearance around the liner must be maintained except that only a 1" (25mm) clearance is needed at the termination end. We recommend framing a 10" (254mm) x 10" (254mm) (inside dimensions) hole to give structural rigidity for mounting the termination.

Note: If installing termination on a siding covered wall, furring strips must be used to ensure that the termination is not recessed into the siding.

- 2) Level the fireplace and fasten it to the framing using nails or screws through the nailing strips.
- 3) Assemble the flue assembly by applying Mill Pac to the 4" (100mm) inner collar of the termination and slipping the 4" (100mm) liner over it at least 1-3/8" (35mm). Fasten with the 3 screws (drilling pilot holes will make this easier). Apply Mill Pac or high temperature silicone to the 6-7/8" (175mm) flex pipe and slip it over the 6-7/8" outer collar of the flue terminal at least 1-3/8" (35mm) and fasten with the 3 screws.
- 4) Separate the 2 halves of the wall thimble and securely fasten the one with the tabs to the outside wall making sure that the tabs are on top and bottom. Fasten the other thimble half to the inside wall. The thimble halves slip inside each other and can be adjusted for 2 x 4 or 2 x 6 walls. **The liners must slip over the collars a minimum of 1-3/8".**

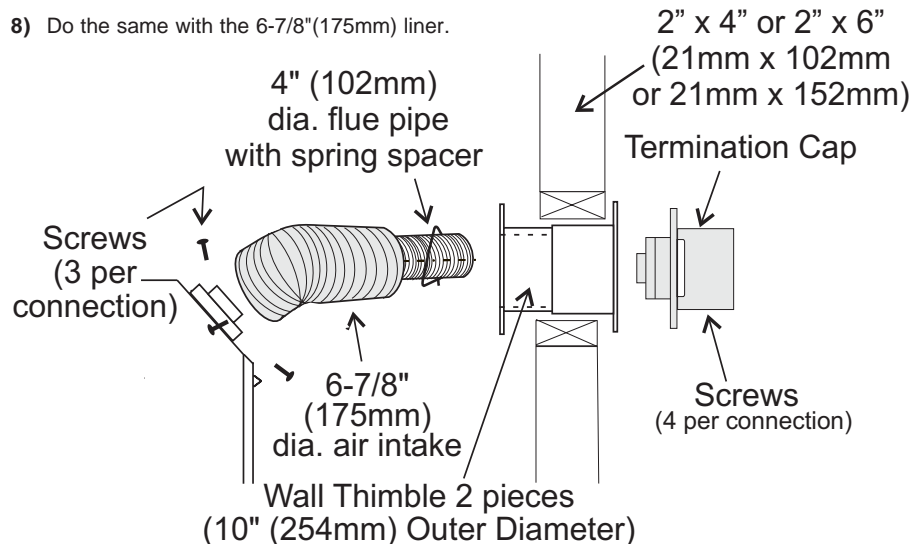
*If this is an outside corner, the minimum distance between the flue and the outside corner is 6" (15cm) with **AstroCap** termination cap or 12" (30cm) with Dura-Flue termination cap. See "F" on the diagram on page 10.



Minimum and Maximum Flue Clearances

- 5) Slip the assembled liner and termination assembly through the thimble making sure the termination cap faces up (there are markings on the cap that show which way is up). This will position the termination cap with proper down slope for draining water. Fasten the cap to the outer wall with the 4 supplied screws.
- 6) Pull the centre 4" (100mm) liner and outer 6-7/8" (175mm) liner out enough to slip over the flue collars of the fireplace.
- 7) Apply Mill Pac over the fireplace inner collar and slip the 4" (100mm) liner down over it and attach with 3 supplied screws.
- 8) Do the same with the 6-7/8" (175mm) liner.
- 9) Apply a bead of silicone between the thimble and termination and around the outer edge of the terminal at the wall in order to keep the water out.

IMPORTANT: Do not locate termination hood where excessive snow or ice build-up may occur. Be sure to check flue termination area after snow falls, and clear to prevent accidental blockage of flueing system. When using snow blowers, make sure snow is not directed towards flue termination area.



SIMPSON DURA-FLUE FLUEING *Horizontal or Vertical Terminations*

The Simpson Dura-Flue Direct Flue System offers a complete line of component parts for installation of both horizontal and vertical installations. Many items are offered in decorative black, as well as galvanized finish. We recommend using the galvanized finish for installation with the PG33.

The minimum components required for a basic horizontal termination are:

- 1 **AstroCap** Horizontal Termination Cap
- 1 45° Elbow
- 1 Flue Adaptor
- 1 Wall Thimble
- 1 Length of pipe to suit wall thickness (see chart)

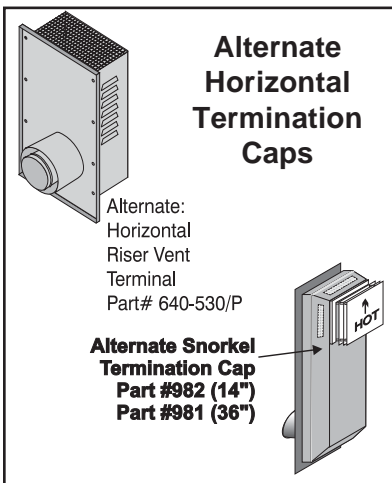
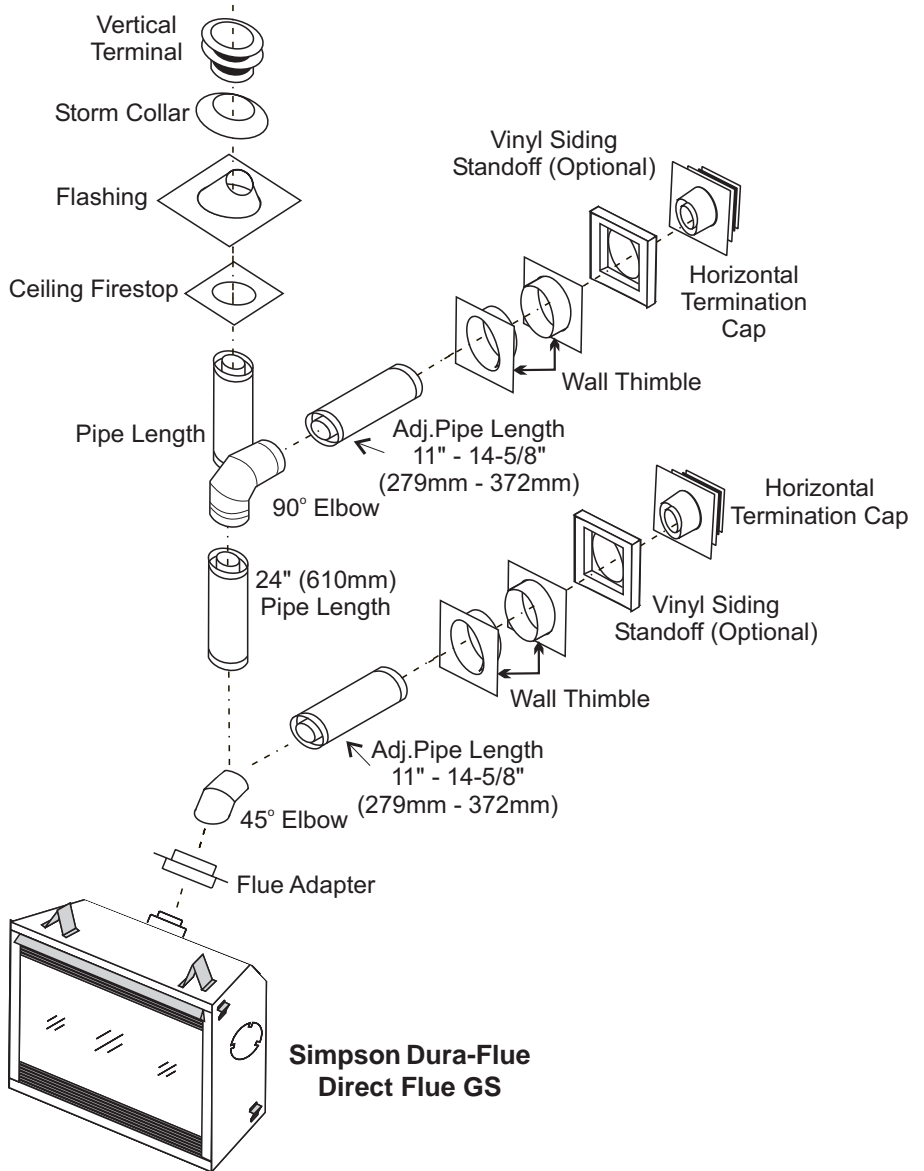
For siding other than vinyl furring strips may be used, instead of the vinyl siding standoff, to create a level surface to mount the flue terminal. The Terminal must not be recessed into siding.

If a Vinyl Siding Standoff is required (it must be used with vinyl siding), measure to outside surface of wall without siding and add 2 inches.

The Masport AstroCap™ is certified for installations using FPI flueing systems as well as Simpson Dura-Vent® and Direct Vent GS.

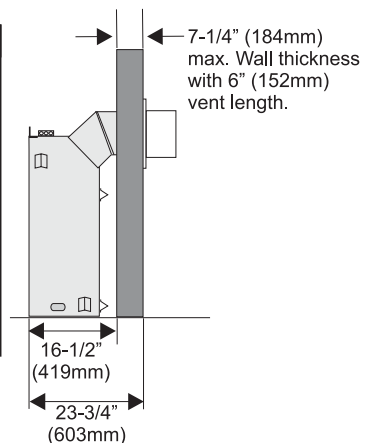
Masport™, and Masport AstroCap™ are the proprietary trademarks of FPI Fireplace Products International Ltd.

Dura-Vent® and Direct Vent GS are registered and/or proprietary trademarks of Simpson Dura-Vent Co. Inc.



Wherever necessary due to external location of cap, the AstroCap can be replaced with the FPI Riser Vent Termination Cap or the Dura-Vent Snorkel Termination Cap.

Flat Wall Installation	
Max. Wall Thickness	Flue Length Required
7-1/4" (184mm)	6" (152mm)
10-1/4" (260mm)	9" (229mm)
13-1/4" (337mm)	12" (305mm)
12-1/4" - 15-7/8"	11" - 14-5/8" Adj. Pipe (279mm - 371mm)
18-1/4" - 25-1/4"	11" - 14-5/8" Adj. Pipe (279mm - 371mm)



INSTALLATION

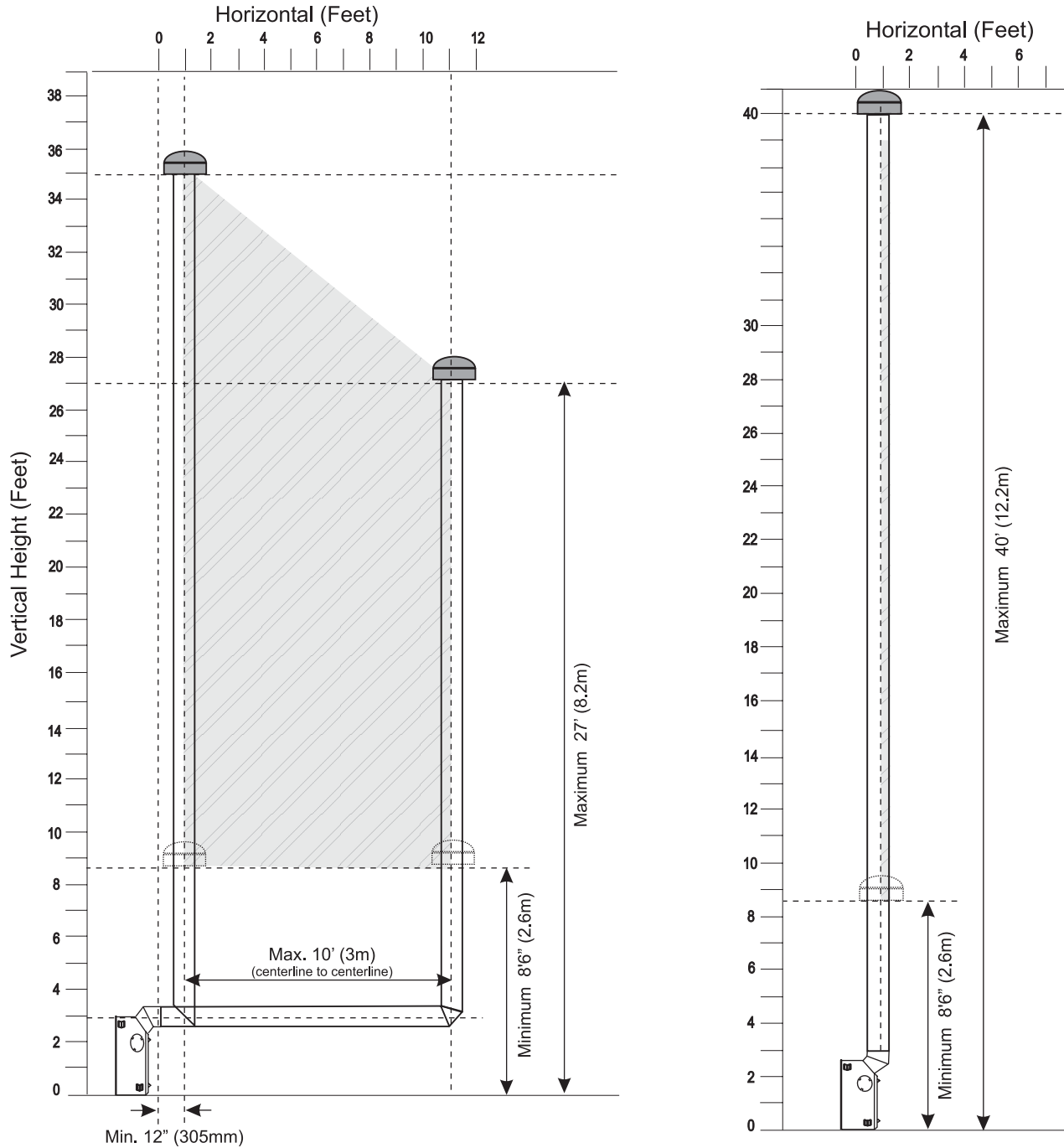
SIMPSON DURA-FLUE FLUEING COMPONENTS LIST

All Simpson Dura-Flue components are available directly from Masport.

Part #	Description	Parts not supplied by Dura-Flue
978	Vert. Termination Kit includes 0/12 - 6/12 pitch adjustable flashing, storm collar, low profile term. cap	946-506/P Flue Guard (Optional) (AstroCap) 640-530/P Riser Vent 510-994 Flue Adapter 946-205 Vinyl Siding Shield for Riser Vent Terminal 946-523/P AstroCap Termination Cap 946-206 AstroCap Vinyl Siding Standoff
908B	6" Pipe Length - Black	
907B	9" Pipe Length - Black	
906	12" Pipe Length - Galv.	
906B	12" Pipe Length - Black	
904	24" Pipe Length - Galv.	
904B	24" Pipe Length - Black	
903	36" Pipe Length - Galv.	
903B	36" Pipe Length - Black	
902	48" Pipe Length - Galv.	
902B	48" Pipe Length - Black	
911B	11"-14 5/8" Adjustable Pipe Length - Black	
917B	17"- 24" Adjustable Length - Black	
945	45° Elbow - Galv.	
945B	45° Elbow - Black	
945G	45° Elbow - Swivel - Galv.	
945BG	45° Elbow - Swivel - Black	
990	90° Elbow - Galv.	
990B	90° Elbow - Black	
990G	90° Elbow - Swivel - Galv.	
990BG	90° Elbow - Swivel - Black	
991	High Wind Termination Cap (Vertical)	
980	Vertical Termination Cap	
984	Horizontal Square Termination Cap	
985	Horizontal Square High Wind Termination Cap	
982	Snorkel - 14" Rise Termination Cap	
981	Snorkel - 36" Rise Termination Cap	
940	Wall Thimble - Support/Box	
941	Cathedral/Ceiling - Support/Box	
3951	Brass Trim for Wall Thimble / Ceiling Support	
963	Firestop Spacer	
943	Flashing 0/12-6/12	
943S	Flashing 7/12-12/12	
953	Storm Collar	
950	Vinyl Siding Standoff	
988	Wall Strap	
942	Wall Thimble	
		Using Co-Linear Flex System
		946-529 Co-linear DV Termination Cap 948-305 3" x 35 foot linear kit 946-563 Adaptor Co-axial to Co-linear kit
		or Alternate
		923GK Adaptor Termination 948-305 3" x 35 foot linear kit 991 High Wind Termination Cap or 980 Vertical Termination Cap

FLUEING ARRANGEMENTS - VERTICAL TERMINATIONS SIMPSON DURA-FLUE DIRECT FLUE GS SYSTEM (NG, LPG & ULPG)

The shaded area in the diagram shows all allowable combinations of straight vertical and offset to vertical terminations, using one 90° elbow, with Simpson Dura-Flue Direct Flue GS flue systems for NG, LPG and ULPG.



- Flue must be supported at offsets.
- Firestops are required at each floor level and whenever passing through a wall.
- Maintain clearances to combustibles.

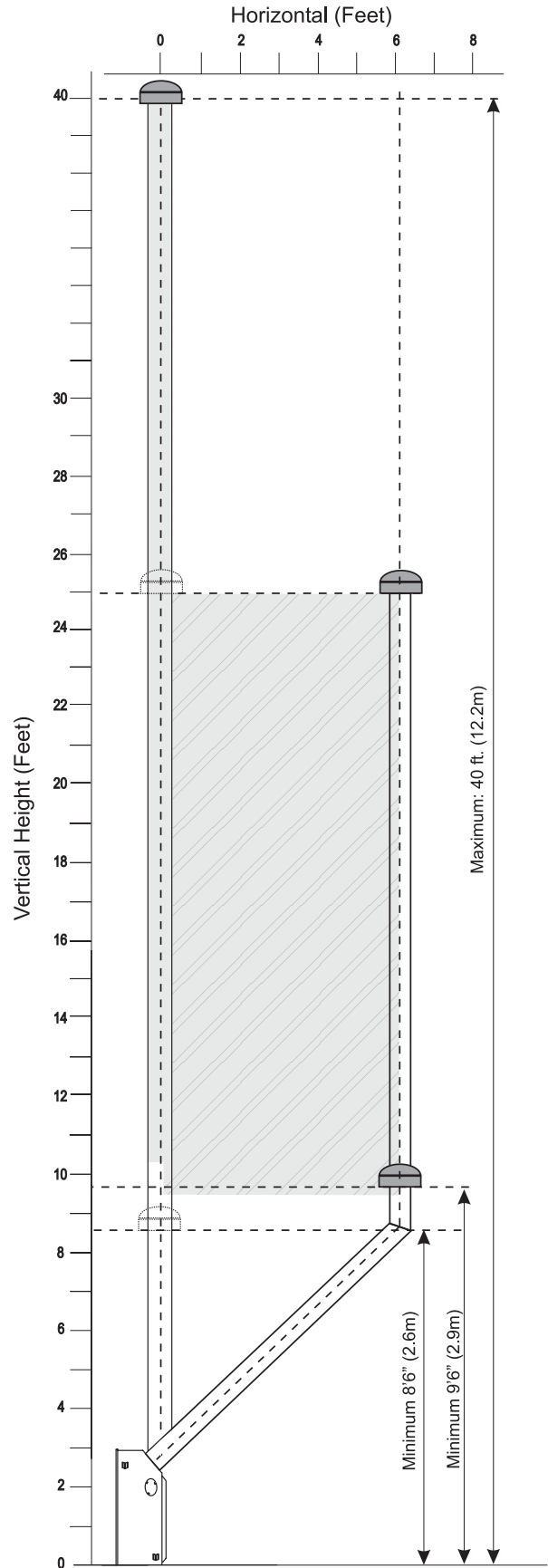
Note: Must use optional flue adapter when using Simpson Dura-Vent pipe (Part # 510-994).

INSTALLATION

The PG33 is approved for a maximum 40 ft. straight vertical, with **Simpson Dura-Flue Direct Flue GS** flue systems for LPG, ULPG and NG.

The shaded area in the diagram shows all allowable combinations of straight vertical and offset to vertical terminations with **Simpson Dura-Flue Direct Flue GS** flue systems for LPG, ULPG and NG. Maximum two 45° elbows allowed.

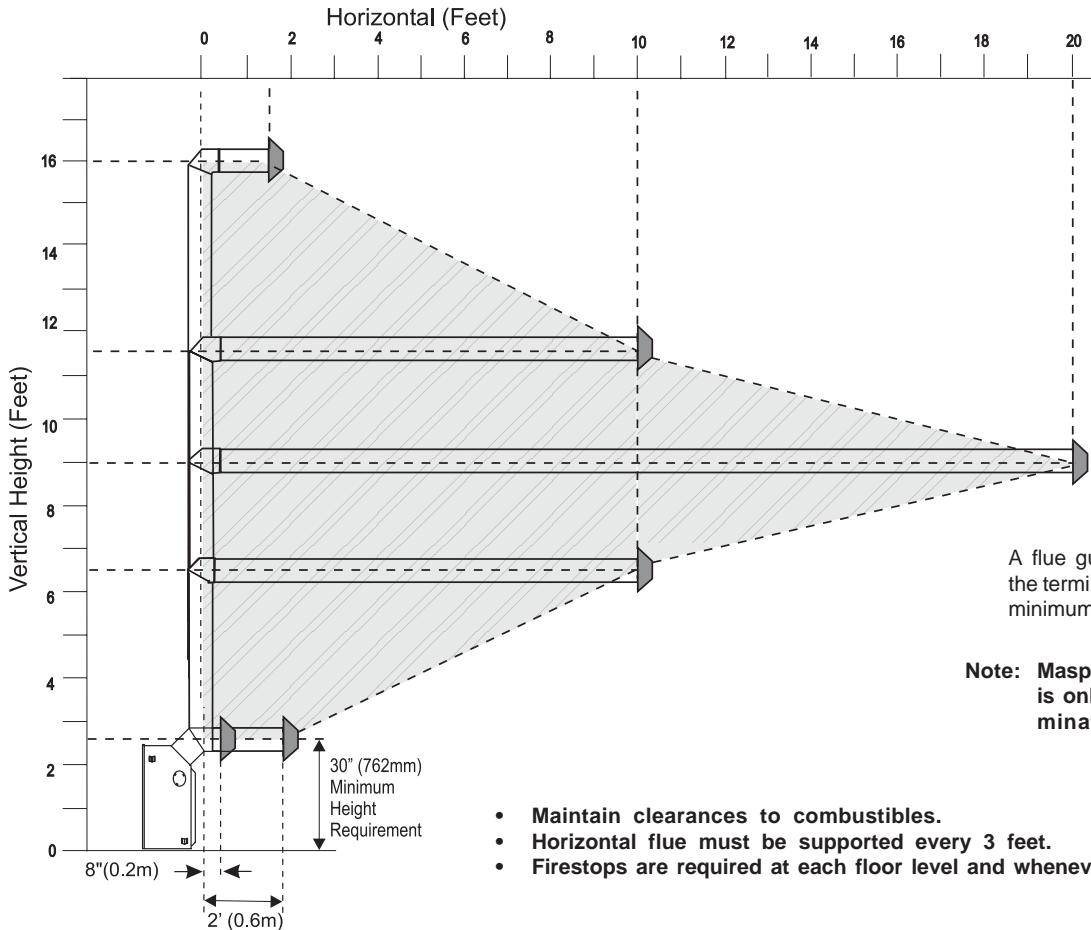
- Flue must be supported at offsets.
- Firestops are required at each floor level and whenever passing through a wall.
- Maintain clearances to combustibles.



FLUEING ARRANGEMENTS - HORIZONTAL TERMINATIONS SIMPSON DURA-FLUE DIRECT FLUE GS SYSTEM and MASPORT DIRECT FLUE SYSTEM (FLEX) (NG, LPG & ULPG with ULPG Burner)

This diagram shows all allowable combinations of vertical runs with horizontal terminations, using one 45° and one 90° elbow (two 45° elbows equal one 90° elbow).

Note: Must use optional flue adapter (Part # 510-994) when using Simpson Dura-Vent pipe. (Refer to page 13.)

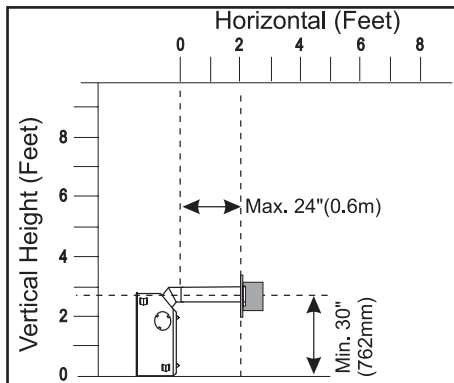


Note: Masport Direct Flue System (Flex) is only approved for horizontal terminations.

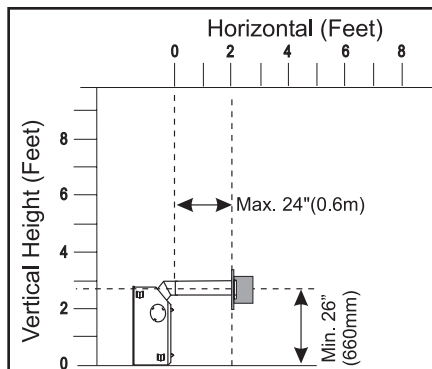
- Maintain clearances to combustibles.
- Horizontal flue must be supported every 3 feet.
- Firestops are required at each floor level and whenever passing through a wall.

Minimum

Simpson Dura-Flue Center-Line



Minimum Flex Kit Center-Line



Important

If using any Cabinet Mantels with Part # 510956, 510958, 510962, 510964 and 510834 the wall thimble must be secured first and flueing must be attached to unit before sliding into final position.

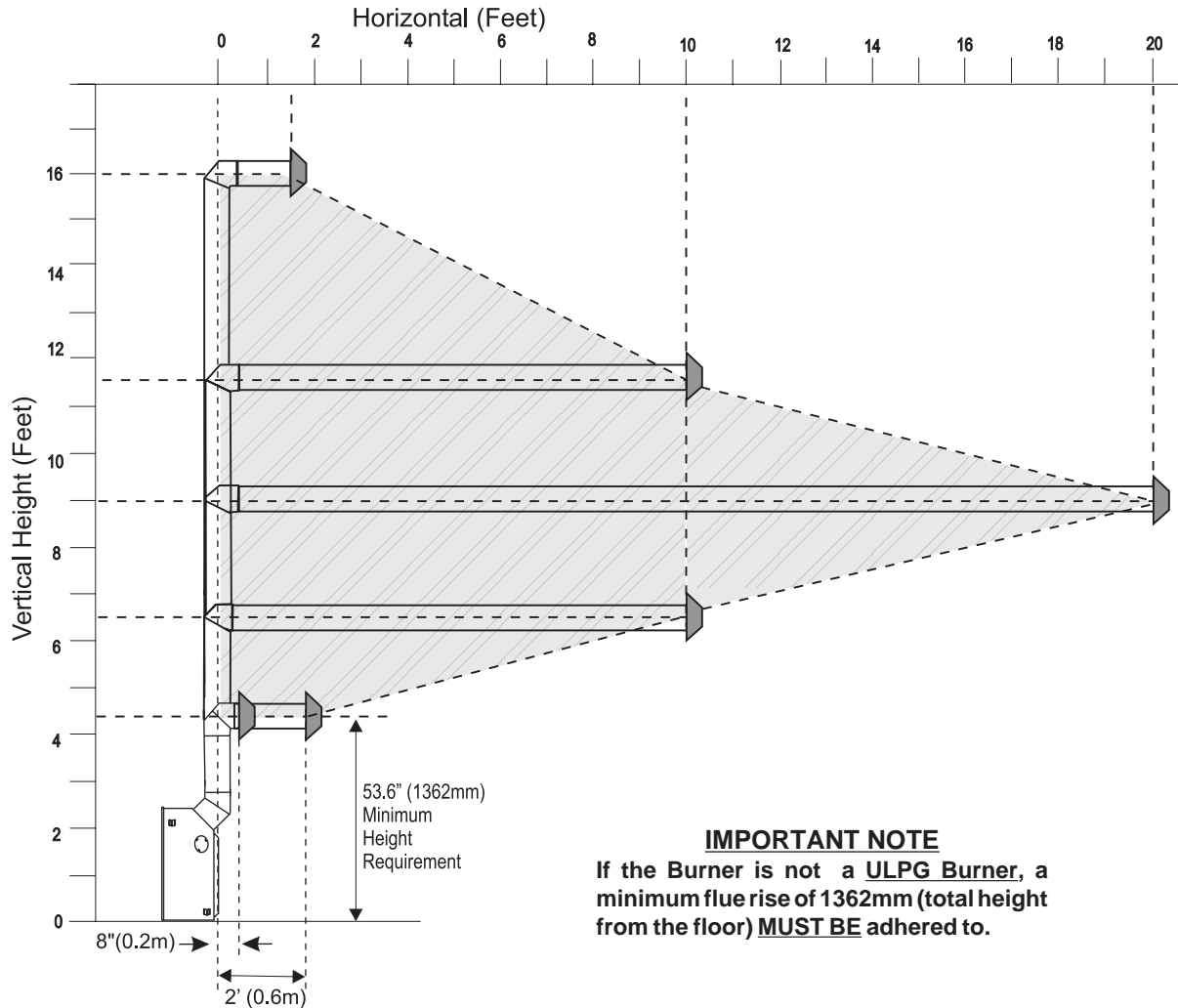
Also Simpson Dura-Flue flueing cannot be used with any of the mantels noted above.

INSTALLATION

FLUEING ARRANGEMENTS - HORIZONTAL TERMINATIONS SIMPSON DURA-FLUE DIRECT FLUE GS SYSTEM and MASPORT DIRECT FLUE SYSTEM (FLEX) (ULPG with NG/LPG Burner)

This diagram shows all allowable combinations of vertical runs with horizontal terminations, using one 45° and one 90° elbow (two 45° elbows equal one 90° elbow).

Note: Must use optional flue adapter (Part # 510-994) when using Simpson Dura-Vent pipe. (Refer to page 13.)



A flue guard should be used whenever the termination is lower than the specified minimum or as per local codes.

Note: Masport Direct Flue System (Flex) is only approved for horizontal terminations.

- Maintain clearances to combustibles.
- Horizontal flue must be supported every 3 feet.
- Firestops are required at each floor level and whenever passing through a wall.

INSTALLATION

Horizontal Flueing with Two (2) 90° Elbows

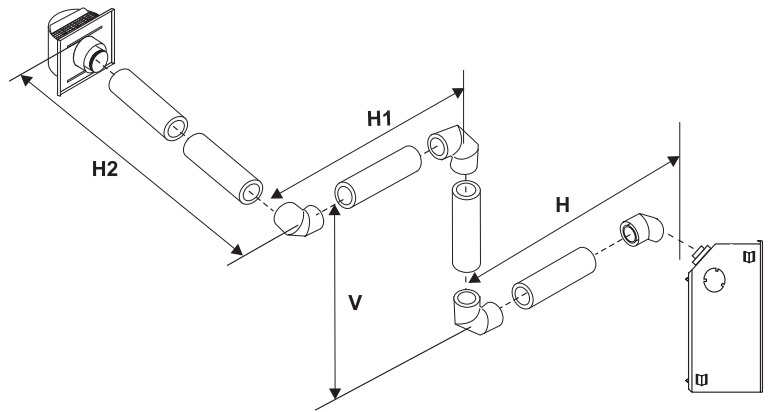
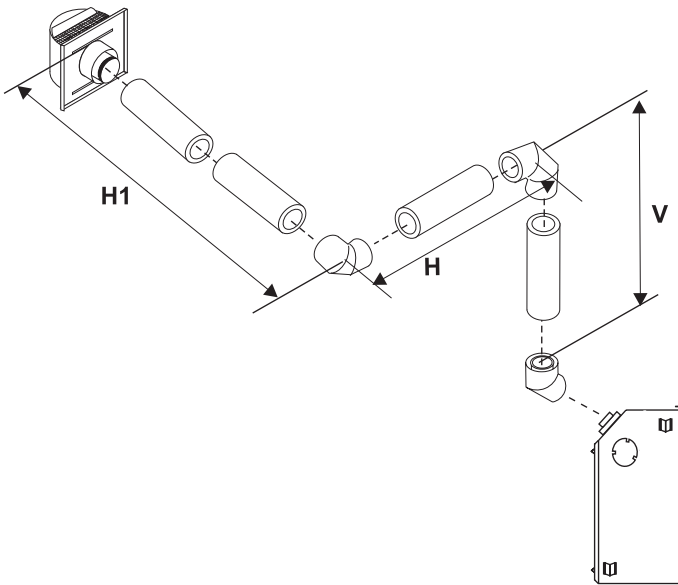
One 90° elbow = Two 45° elbows.

Option	V	H + H1	With these options, maximum total pipe length is 30 feet with minimum of 6 feet total vertical and maximum 8 feet total horizontal. Please note minimum 1 foot between 90° elbows is required.
A)	0.3m Min.	0.9m Max.	
B)	0.6m Min.	1.2m Max.	
C)	0.9m Min.	1.5m Max.	
D)	1.2m Min.	1.8m Max.	
E)	1.5m Min.	2.1m Max.	
F)	1.8m Min.	2.4m Max.	

Horizontal Flueing with Three (3) 90° Elbows

One 90° elbow = Two 45° elbows.

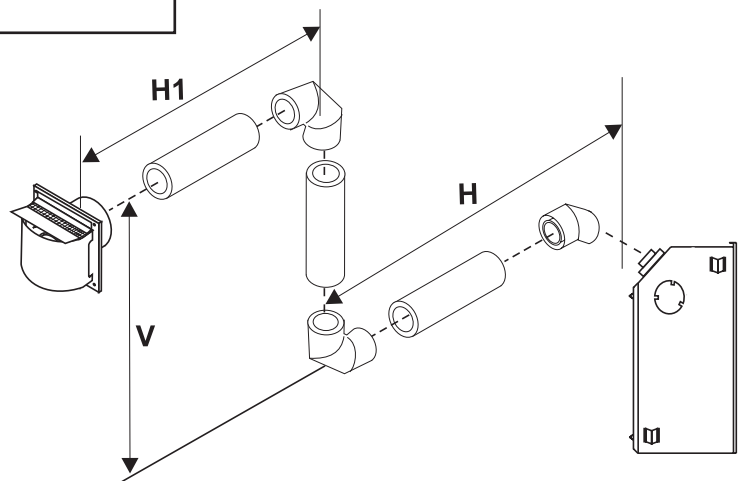
Option	H	V	H + H1 + H2	With these options, max. total pipe length is 30 feet with min. of 11 feet total vertical and max. 9 feet total horizontal. Please note min. 1 foot between 90° elbows is required.
A)	0.3m Max.	0.3m Min.	0.9m Max.	
B)	0.6m Max.	0.9m Min.	1.5m Max.	
C)	0.9m Max.	1.5m Min.	1.8m Max.	
D)	1.2m Max.	2.1m Min.	2.1m Max.	
E)	1.5m Max.	2.7m Min.	2.4m Max.	
F)	1.8m Max.	3.3m Min.	2.7m Max.	



Horizontal Flueing with Two (2) 90° Elbows

One 90° elbow = Two 45° elbows.

Option	H	V	H + H1	With these options, max. total pipe length is 30 feet with min. of 8 feet total vertical and max. 8 feet total horizontal. Please note min. 1 foot between 90° elbows is required.
A)	0.3m Max.	0.3m Min.	0.9m Max.	
B)	0.6m Max.	0.9m Min.	1.5m Max.	
C)	0.9m Max.	1.5m Min.	1.8m Max.	
D)	1.2m Max.	1.8m Min.	2.1m Max.	
E)	1.5m Max.	2.4m Min.	2.4m Max.	

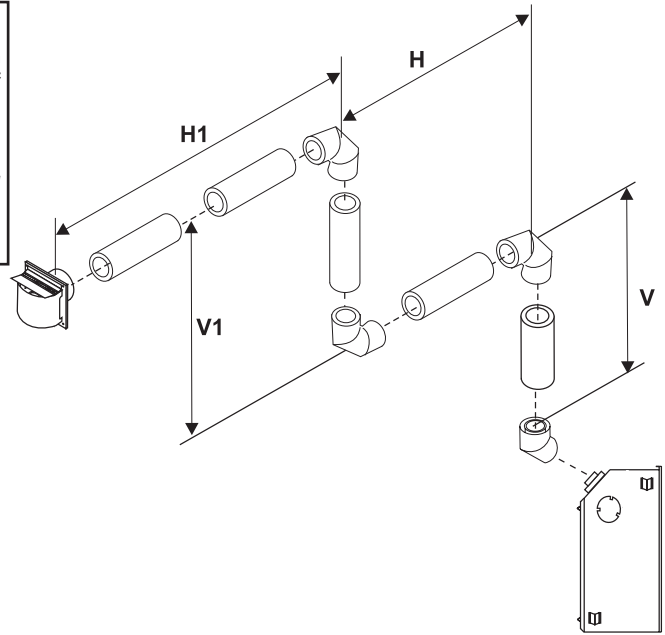


INSTALLATION

Horizontal Flueing with Three (3) 90° Elbows

One 90° elbow = Two 45° elbows.

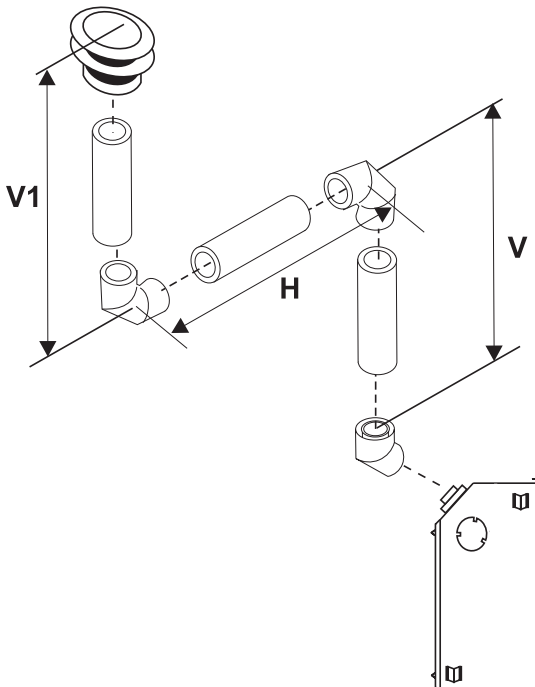
Option	V Min.	H Max.	V + V1 Min.	H + H1 Max.	With these options, max. total pipe length is 30 feet with min. of 12 feet total vertical and max. 9 feet total horizontal. Please note min. 1 foot between 90° elbows is required.
A)	0.6m	0.3m	0.9m	1.2m	
B)	0.9m	0.6m	1.2m	1.5m	
C)	1.2m	0.9m	1.8m	1.8m	
D)	1.5m	1.2m	2.4m	2.1m	
F)	2.1m	1.8m	3.65m	2.7m	



Vertical Flueing with Two (2) 90° Elbows

One 90° elbow = Two 45° elbows.

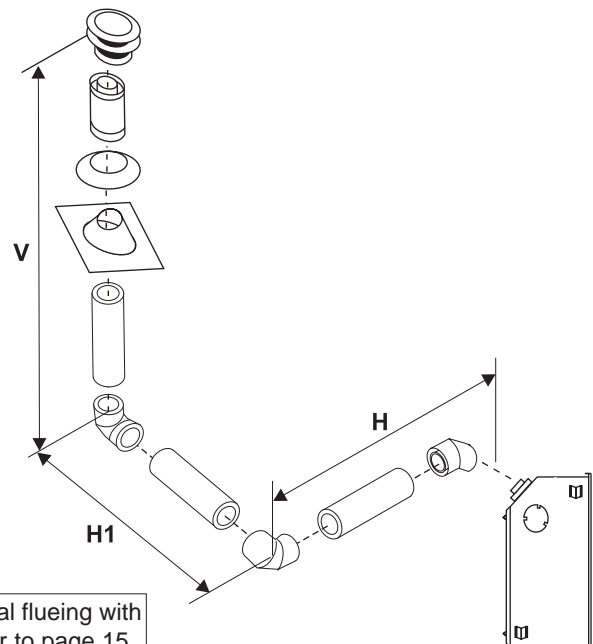
Option	V Min.	H Max.	V + V1 Min.	With these options, max. total pipe length is 30 feet with min. of 6 feet total vertical and max. 8 feet total horizontal. Please note min. 1 foot between 90° elbows is required.
A)	0.3m	1.2m	0.6m	
B)	0.6m	1.5m	0.9m	
C)	0.9m	1.8m	1.2m	
E)	1.5m	2.4m	1.8m	



Vertical Flueing with Two (2) 90° Elbows

One 90° elbow = Two 45° elbows.

Option	H + H1 Max.	V Min.	With these options, max. total pipe length is 30 feet with min. of 6 feet total vertical and max. 6 feet total horizontal. Please note min. 1 foot between 90° elbows is required.
A)	0.6m	0.6m	
B)	0.9m	0.9m	
D)	1.5m	1.5m	
E)	1.8m	1.8m	



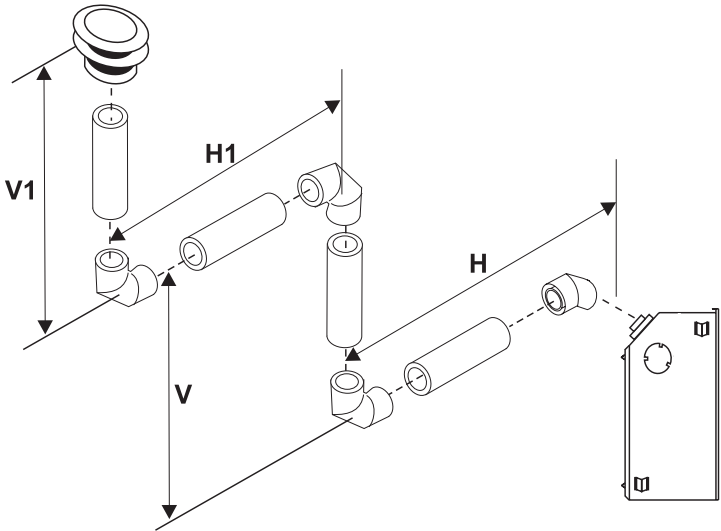
For additional vertical flueing with 2 x 90° elbows, refer to page 15.

Vertical Flueing with Three (3) 90° Elbows

One 90° elbow = Two 45° elbows.

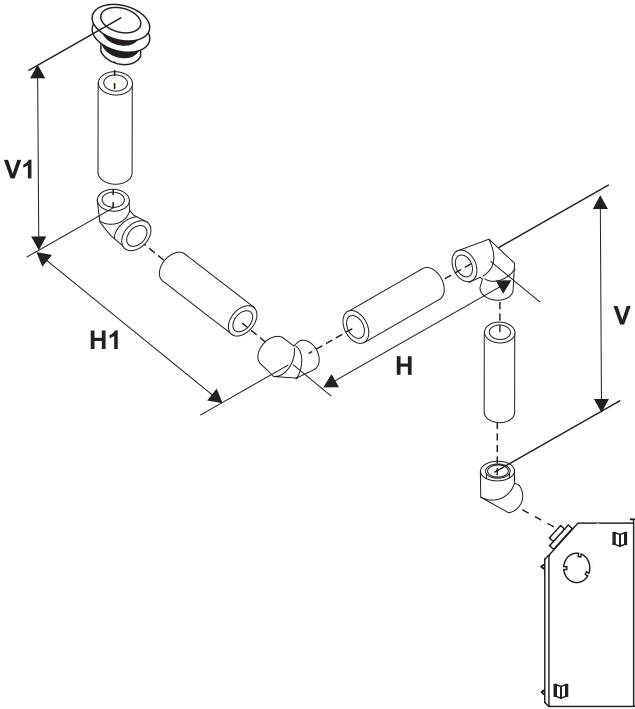
Option	H Max.	V Min.	H + H1 Max.	V + V1 Min.
A)	0.3m	0.3m	0.9m	0.9m
B)	0.6m	0.6m	1.2m	1.5m
C)	0.9m	0.9m	1.5m	2.1m
D)	1.2m	1.2m	1.8m	2.7m
E)	1.5m	1.5m	2.1m	3.3m

With these options, max. total pipe length is 30 feet with min. of 11 feet total vertical and max. 7 feet total horizontal.
Please note min. 1 foot between 90° elbows is required.



Vertical Flueing with Three (3) 90° Elbows

One 90° elbow = Two 45° elbows.



Option	V Min.	H + H1 Max.	V + V1 Min.
A)	0.6m	0.9m	1.2m
B)	0.9m	1.2m	1.8m
C)	1.2m	1.5m	2.1m
D)	1.5m	1.8m	2.4m
E)	1.8m	2.1m	2.7m
F)	2.1m	2.4m	3m

With these options, max. total pipe length is 30 feet with min. of 10 feet total vertical and max. 8 feet total horizontal.
Please note min. 1 foot between 90° elbows is required.

INSTALLATION

VERTICAL TERMINATION WITH CO-LINEAR FLEX SYSTEM

THE APPLIANCE MUST NOT BE CONNECTED TO A CHIMNEY FLUE SERVING A SEPARATE SOLID FUEL BURNING APPLIANCE.

Masonry chimneys may take various contours which the flexible liner will accommodate. However, **keep the flexible liner as straight as possible**, avoid unnecessary bending.

The Air Intake pipe must be attached to the inlet air collar of the termination cap.

This appliance is designed to be attached to two 3" (76mm) co-linear aluminium flex running the full length of the chimney. See the Flueing Arrangements on next page for minimum and maximum heights.

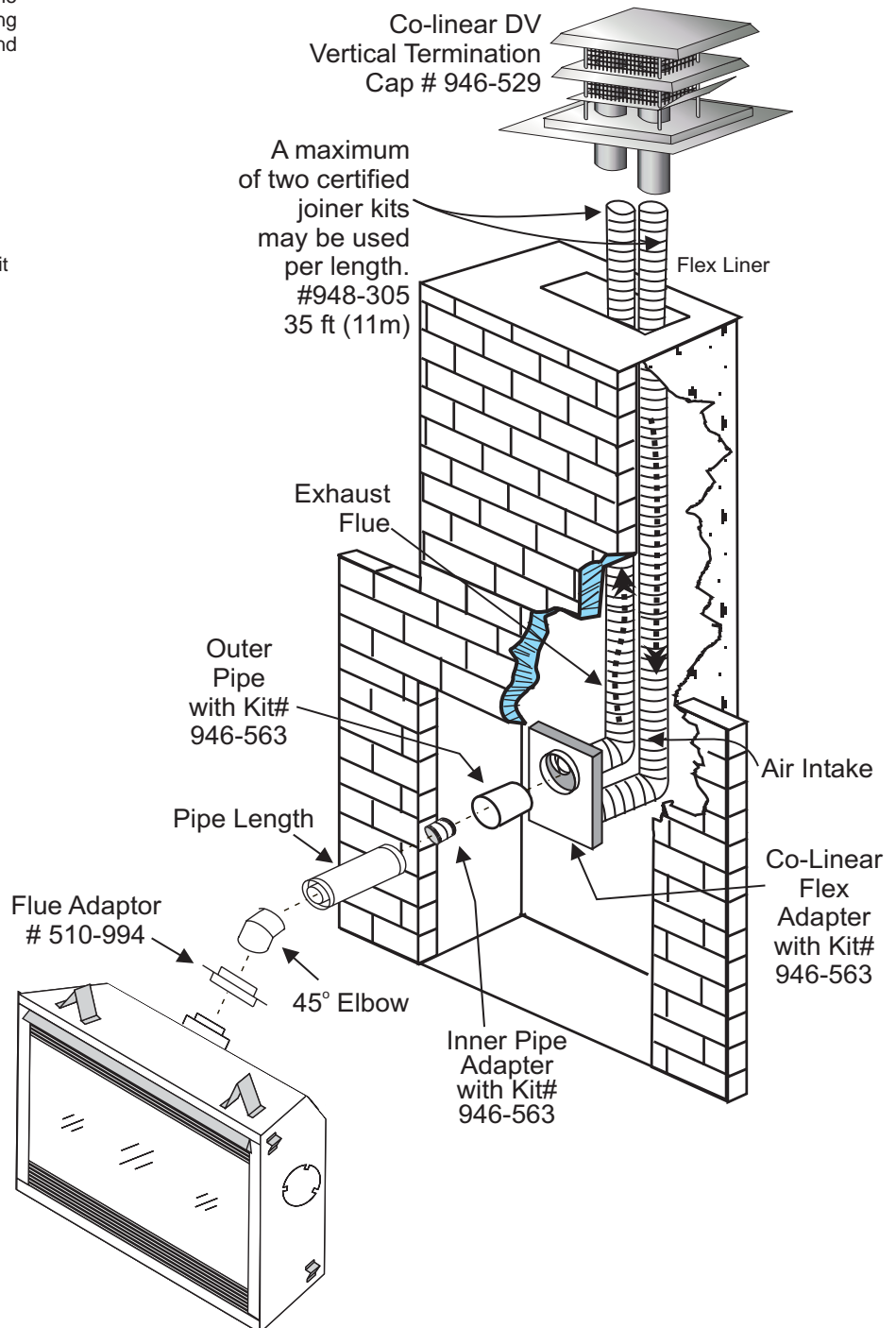
Required Parts:

Part #	Description
946-529	Co-linear DV Vertical Termination Cap
948-305	3" Flex - 35 ft.
946-563	Co-Axial to Co-Linear Adapter Kit which contains the following: Co-linear Flex Adapter Outer Pipe Inner Pipe Adapter Flue Adaptor
510-994	Flue Adaptor
945	45° Elbow

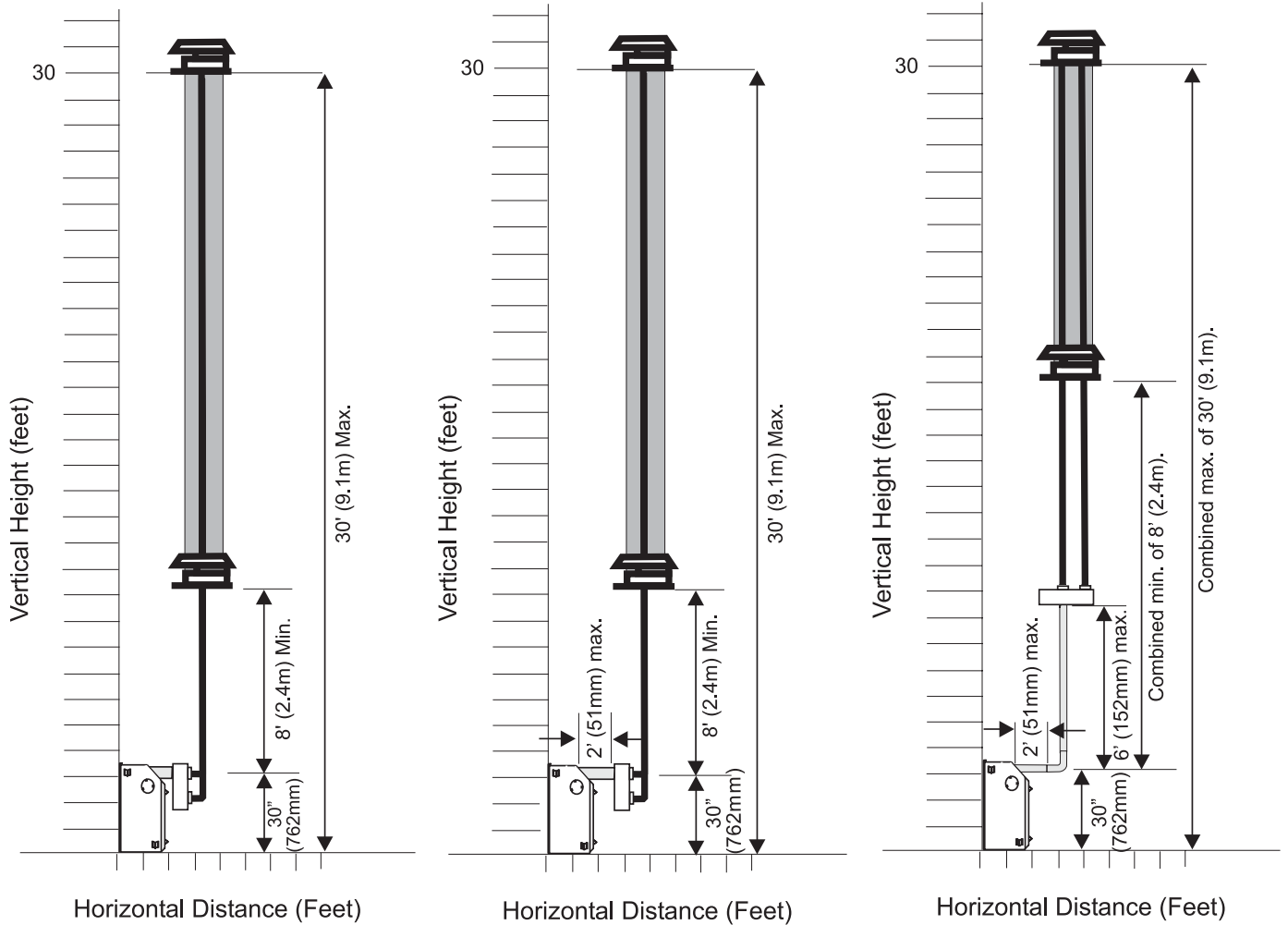
Alternate Approved Caps

980	Vertical Termination Cap
991	High Wind Cap
923GK	3" Co-linear Adapter with flashing

FPI Cabinet and/or Flat Wall Mantles may be used in these applications ensuring that clearances to combustibles are maintained.



Flueing Arrangements - Vertical Terminations with Co-linear Flex System for both Residential & Manufactured Homes into Masonry Fireplaces



The shaded area in the diagrams show the allowable vertical terminations.

INSTALLATION

HORIZONTAL INSTALLATIONS

Install the flue system according to the manufacturer's instructions included with the components.

- 1) Set the unit in its desired location. Check to determine if wall studs or roof rafters are in the way when the flueing system is attached. If this is the case, you may want to adjust the location of the unit. Rough in the gas preferably on the right side of the unit and the electrical (junction block is on the left side) on the left.
- 2) Direct Flue pipe and fittings are designed with special twist-lock connections to connect the flueing system to the appliance flue outlet. A twist-lock appliance adaptor is an available option that must be used in conjunction with the Simpson Dura-Flue Direct Flue GS system.
- 3) Put a bead of silicone inside the outer section of the adapter and a bead of Stove Mate on the inner collar. Slip the adapter over the existing inner and outer flue collar and fasten to the outer collar only with the 3 supplied screws (drilling pilot holes will make this easier). Level the fireplace and fasten it to the framing using nails or screws through the nailing strips.
- 4) Assemble the desired combination of pipe and elbows to the appliance adaptor and twist-lock for a solid connection.

Note:

- a) Twist-lock procedure: Four indentations, located on the female ends of pipes and fittings, are designed to slide straight onto the male ends of adjacent pipes and fittings, by orienting the four pipe indentations so they match and slide in to the four entry slots on the male ends, Dia. 1. Push the pipe sections completely together, then twist-lock one section clockwise approximately one-quarter turn, until the two sections are fully locked. The female locking lugs will not be visible from the outside, on the Black Pipe or fittings. They may be located by examining the inside of the female ends.

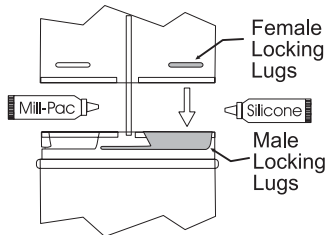


Diagram 1

Note: Apply sealant "Mill-Pac" to inner pipe and high temperature silicone sealant to outer pipe on every twist-lock joint.

- b) Horizontal runs of flue must be supported every three feet. Wall straps are available for this purpose.
- 5) Mark the wall for a 10" (254mm) x 10" (254mm) square hole. The center of the square hole should line up with the centerline of the horizontal pipe. Cut and frame the 10 inch square hole in the exterior wall where the flue will be terminated. If the wall being penetrated is constructed of non-combustible material, i.e. masonry block or concrete, a 7" (178mm) diameter (7-1/2" (191mm) dia. for flex) hole is acceptable.

Note:

- a) The horizontal run of flue must be level, or have a 1/4" (6.3mm) rise for every 1 foot (0.3m) of run towards the termination. Never allow the flue to run downward. This could cause high temperatures and may present the possibility of a fire.
- b) The location of the horizontal flue termination on an exterior wall must meet all local and national building codes, and must not be blocked or obstructed. For External Flue Terminal Locations, see diagram on page 10.
- c) **Snorkel Terminations:**
For installations requiring a vertical rise on the exterior of the building, see Diagram 2. Follow the same installation procedures as used for standard Horizontal Termination.

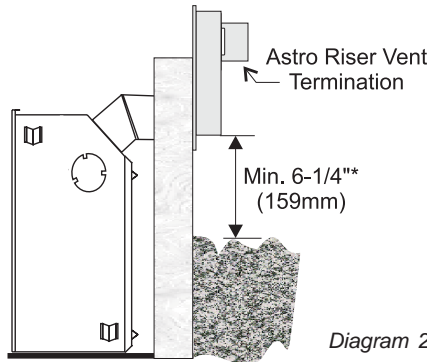


Diagram 2

*As specified in CGA B149 Installation Code. Local codes or regulations may require different clearances.

Below Grade Snorkel Installation

If the Snorkel Termination must be installed below grade, i.e. basement application, proper drainage must be provided to prevent water from entering the Snorkel Termination. Refer to Dura-Flue Installation instructions for details. Do not attempt to enclose the Snorkel within the wall, or any other type of enclosure.

- 6) The arrow on the flue cap should be pointing up. Insure that the 1-1/2" clearances to combustible materials are maintained (Dia. 3). Install the termination cap.

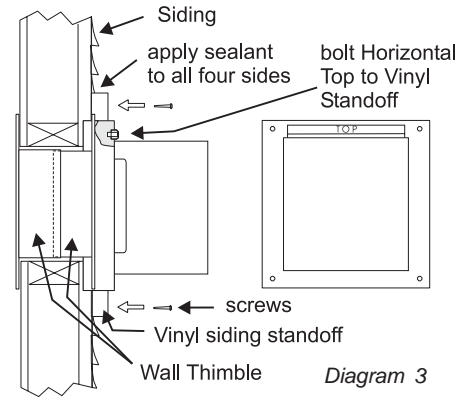


Diagram 3

The four wood screws provided should be replaced with appropriate fasteners for stucco, brick, concrete, or other types of sidings.

Note: If installing termination on a siding covered wall, a vinyl siding standoff or furring strips must be used to ensure that the termination is not recessed into the siding.

- 7) Before connecting the horizontal run of flue pipe to the flue termination, slide the Wall Thimble (Part # 620-926) over the flue pipe.
- 8) Slide the appliance and flue assembly towards the wall carefully inserting the flue pipe into the flue cap assembly. It is important that the flue pipe extends into the flue cap sufficient distance so as to result in a minimum pipe overlap of 1-1/4" (32mm). Secure the connection between the flue pipe and the flue cap 3 sheet metal screws.
- 9) Install wall thimble in the center of the 10" (254mm) square and attach with wood screws (Diagram 4).

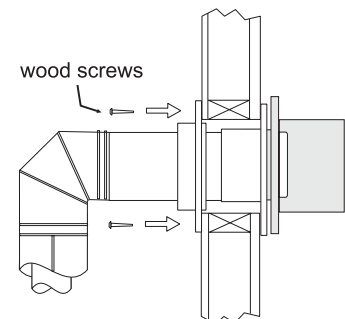


Diagram 4

VERTICAL TERMINATION

1) Maintain the 1-1/2" (38mm) clearances (air spaces) to combustibles when passing through ceilings, walls, roofs, enclosures, attic rafter, or other nearby combustible surfaces. Do not pack air spaces with insulation. Check pages 13-17 for the maximum vertical rise of the flueing system and the maximum horizontal offset limitations.

2) Set the gas appliance in its desired location. Drop a plumb bob down from the ceiling to the position of the appliance flue exit, and mark the location where the flue will penetrate the ceiling. Drill a small hole at this point. Next, drop a plumb bob from the roof to the hole previously drilled in the ceiling, and mark the spot where the flue will penetrate the roof.

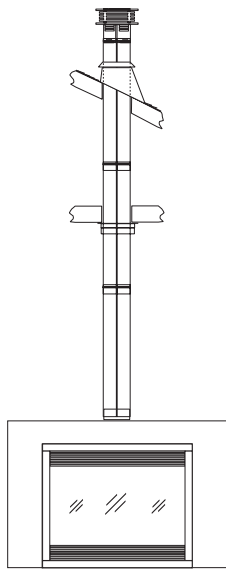


Diagram 1

3) A Firestop spacer must be installed in the floor or ceiling of every level. To install the Firestop spacer in a flat ceiling or wall, cut a 10 inch square hole. Frame the hole as shown in Diagram 2 and install the firestop.

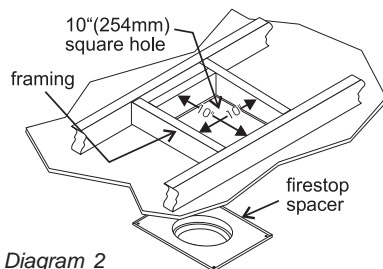
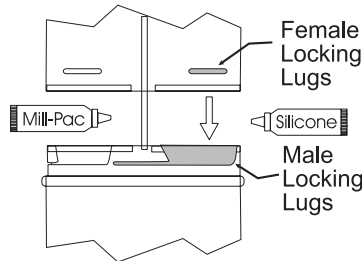


Diagram 2

4) Assemble the desired lengths of pipe and elbows. Ensure that all pipes and elbow connections are in the fully twist-locked position and sealed.



Note: Apply sealant "Mill-Pac" to inner pipe and high temperature silicone sealant to outer pipe on every twist-lock joint.

5) Cut a hole in the roof centered on the small drilled hole placed in the roof in Step 2. The hole should be of sufficient size to meet the minimum requirements for clearance to combustibles of 1-1/2" (38mm). Slip the flashing under the shingles (shingles should overlap half the flashing) as per Diagram 3.

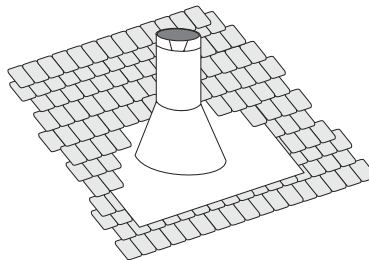


Diagram 3: The upper half of the flashing is installed under the roofing material and not nailed down until the chimney is installed. This allows for small adjustments.

6) Continue to assemble pipe lengths.

Note: If an offset is necessary in the attic to avoid obstructions, it is important to support the flue pipe every 3' (0.9m), to avoid excessive stress on the elbows, and possible separation. Wall straps are available for this purpose.

Galvanized pipe is desirable above the roofline due to its higher corrosion resistance. Continue to add pipe sections through the flashing until the height of the flue cap meets the minimum height requirements specified in Dia. 4 or local codes. Note that for steep roof pitches, the vertical height must be increased. A poor draft, or down drafting can result from high wind conditions near big trees or adjoining roof lines, in these cases, increasing the flue height may solve the problem.

7) Ensure flue is vertical and secure the base of the flashing to the roof with roofing nails, slide storm collar over the pipe section and seal with a mastic.

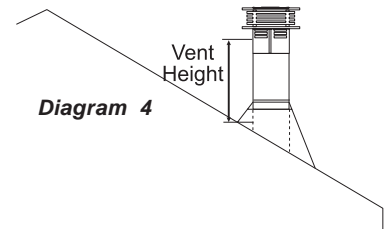


Diagram 4

Roof Pitch	Minimum Flue Height	
	Feet	Meters
flat to 7/12	2	0.61
over 7/12 to 8/12	2	0.61
over 8/12 to 9/12	2	0.61
over 9/12 to 10/12	2.5	0.76
over 10/12 to 11/12	3.25	0.99
over 11/12 to 12/12	4	1.22
over 12/12 to 14/12	5	1.52
over 14/12 to 16/12	6	1.83
over 16/12 to 18/12	7	2.13
over 18/12 to 20/12	7.5	2.29
over 20/12 to 21/12	8	2.44

8) Install the vertical termination cap by twist-locking it.

Note: Any closets or storage spaces, which the flue passes through must be enclosed.

INSTALLATION

PG33-NG System Data

Conversion Kit# 436-969

For 0 to 610 metres altitude
Burner Inlet Orifice Size: #44
Max. Input Rating 23.7 mj.
Min. Input Rating 13.18 mj.

For 610 to 1372 metres altitude
Burner Inlet Orifice Sizes: #45
Max. Input Rating 22.15 mj.
Min. Input Rating 11.1 mj.

Supply Pressure min. 1.13 kPa

Manifold Pressure
(High) 0.95 kPa
(Low) 0.29 kPa

PG33-LPG System Data

For 0 to 1372 metres altitude
Burner Inlet Orifice Size: #54

Max. Input Rating 23.5 mj.
Min. Input Rating 12.1 mj.

Supply Pressure min. 2.75 kPa

Manifold Pressure
(High) 2.61 kPa
(Low) 0.70 kPa

PG33-ULPG System Data

For 0 to 1372 metres altitude
Burner Inlet Orifice Size: #55

Max. Input Rating 20.3 mj.
Min. Input Rating 11 mj.

Supply Pressure min. 2.75 kPa

Manifold Pressure
(High) 2.40 kPa
(Low) 0.60 kPa

GAS CONNECTION

The gas line should be rigid pipe. Copper may also be used if approved by AG 601.

The gas connection at the valve is 1/2 Female. For minimum and maximum supply pressure see the System Data Table.

GAS PIPE PRESSURE TESTING

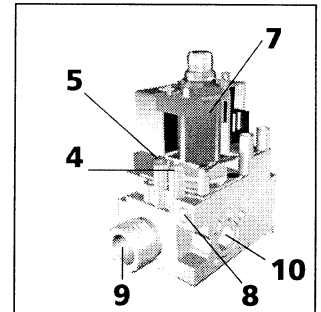
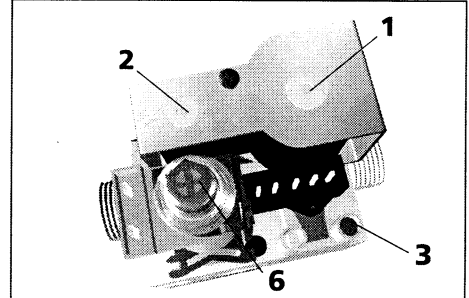
The appliance must be isolated from the gas supply piping system by closing its individual manual shut-off valve during any pressure testing of the gas supply piping system at test pressures equal to or less than 1/2 psig. (3.45 kPa). Disconnect piping from valve at pressures over 3.45 kPa (14" w.c.).

The manifold pressure is controlled by a regulator built into the gas control, and should be checked at the pressure test point.

Note: *To properly check gas pressure, both inlet and manifold pressures should be checked using the valve pressure ports on the valve.*

- 1) Make sure the valve is in the "OFF" position.
- 2) Loosen the "IN" (# 3) and/or "OUT" (# 4) pressure tap(s), turning counterclockwise with a 1/8" wide flat screwdriver.
- 3) Attach manometer to "IN" and/or "OUT" pressure tap(s) using a 5/16" ID hose.
- 4) Seal and or check the pilot outlet (# 8)
- 5) The pressure check should be carried out with the unit burning and the setting should be within the limits specified on the safety label.
- 6) When finished reading manometer, turn off the gas valve, disconnect the hose and tighten the screw (clockwise) with a 1/8" flat screwdriver. *Screw should be snug, but do not over tighten.*

- 7) Gas Outlet Pressure Electric Modulator
- 8) Pilot Outlet
- 9) Main Gas Outlet
- 10) Side Outlet



AERATION ADJUSTMENT

The air shutter can be adjusted by moving the adjusting wire up or down. The wire is accessed through the bottom louvre opening. Open the air shutter for a blue flame or close for a yellow flame. The burner aeration is factory set but may need adjusting due to either the local gas supply or altitude. This adjustment is performed by the gas fitter.

Minimum Air Shutter Opening:
NG 12.7mm
LPG 12.7mm
ULPG Fully Open

CAUTION: *Carbon will be produced if air shutter is closed too much.*

Note: Any damage due to carboning resulting from improperly setting the aeration controls is NOT covered under warranty.

Closed - Tall yellow
Open - Short Blue

S.I.T. Valve Description

- 1) On-Off Solenoid Valve EV1
- 2) On-Off Solenoid Valve EV2
- 3) Inlet Pressure Test Point
- 4) Outlet Pressure Test Point
- 5) Connection for Pressure Regulator/Combustion Chamber Compensation
- 6) Pressure Regulator for Minimum and Maximum Outlet Pressure

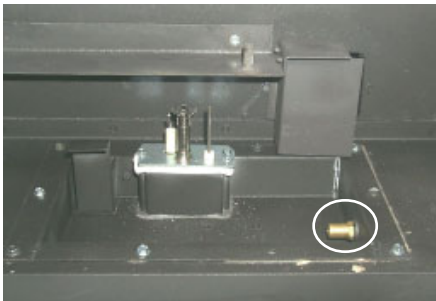
Conversion Kit #436-969 for NG to LPG

THIS CONVERSION MUST BE DONE BY A QUALIFIED GAS FITTER IF IN DOUBT DO NOT DO THIS CONVERSION!!

Conversion Kit 436-969 Contains:

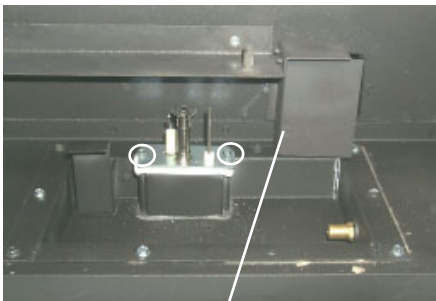
Qty.	Part #	Description
1	904-163	Burner Orifice #54
1	908-528	Red "LPG" label
2	908-255	Label "Converted to LPG"
1	918-333	Instruction Sheet
1	910-920	LPG Pilot Orifice

- 1) Shut off the gas supply and unplug the power cord.
- 2) Carefully remove the glass, logs and lava rock.
- 3) Remove burner.
- 4) Remove burner orifice with a 1/2" wrench and discard. Use a wrench to hold on to the elbow behind the orifice.
- 5) Reinstall new burner orifice stamped #54 and tighten.



Burner Orifice

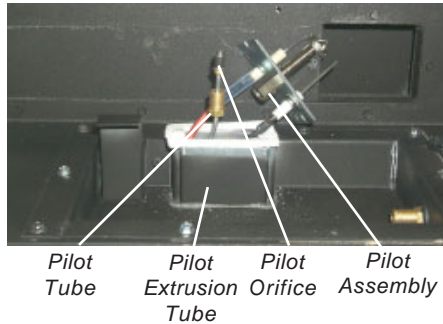
- 6) Remove the rear log tray.
- 7) Remove the 2 screws which secure the pilot.



Rear Log Tray

- 8) Lift the pilot assembly and remove the pilot tube from the pilot assembly using a 11mm wrench.

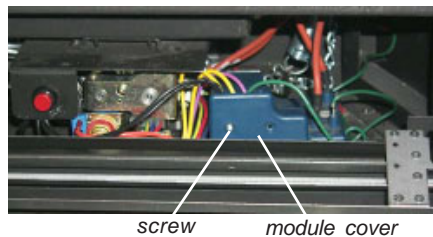
- 9) Remove the NG pilot orifice and replace it with the LPG orifice.



- 10) Re-install the pilot tube to the pilot assembly.
- 11) Re-install the pilot assembly over the pilot extrusion tube and secure it with 2 screws.

- 12) Re-install the rear log tray.
- 13) Adjust the burner aeration setting to 12.7 mm and re-install the burner.
- 14) Open the bottom louvre.
- 15) Stick the conversion label "This unit has been converted to LPG" over top of the serial number decal.
- 16) Replace the yellow "NG" label with the red "LPG" label.

- 17) Remove the screw from the module and pull off the module cover.



screw module cover

- 18) Pull out the 2 orange wires attached to the valve, and the connector from the module.



orange connector wires connector

- 19) Carefully pull out the control box.

- 20) Remove the heat shield from the control box by removing the 2 screws.

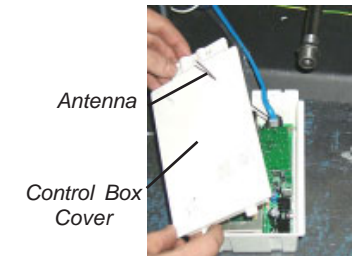
NOTE: The control box is held in place with velcro.



heat shield control box

- 21) Remove the control box cover by undoing the 3 screws. Maneuver through antenna.

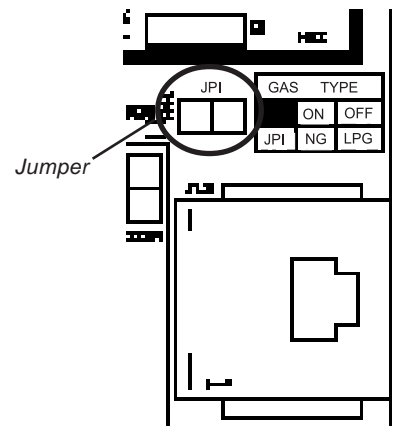
- 22) Remove the jumper using a plier.



Antenna Control Box Cover

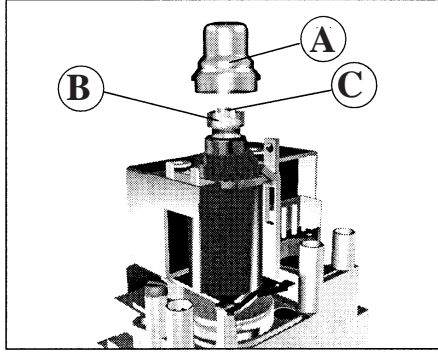


Jumper Location



INSTALLATION

- 23) Stick the conversion label "This unit has been converted to LPG" on the control box cover.
- 24) Reverse steps 22 and 17.
- 25) Check venting configuration on pages 17 & 18.
- 26) Turn on gas supply and plug in power cord.
- 27) **Adjusting the Outlet Pressure**
All the adjustments must be carried out in the following order:



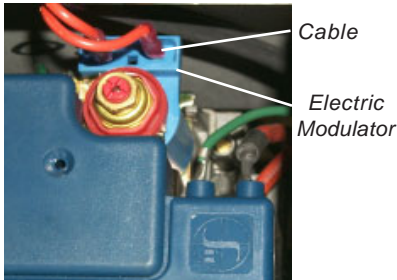
Remove the modulator plastic cap (A) using needle nose pliers.

Maximum pressure: Turn the unit ON to its highest input rating. Screw in the nut (B) to increase the outlet pressure and screw it out to decrease it. Use a 10 mm wrench.

NOTE: The outlet pressure must be set to maximum 2.61 kPa.

Minimum pressure: Remove one of the cables connected to the electric modulator. Keeping the nut (B) blocked, screw in the screw (C) to increase the pressure and screw it out to decrease it. Use a screwdriver 6 x 1 blade.

NOTE: The outlet pressure must be set to minimum 0.70 kPa.



After carrying out all adjustments, block the setting screws with paint, taking care not to obstruct the breather orifice of the pressure.

Put back the modulator plastic cap.

WARNING: To ensure the correct operation of the modulator it is necessary that the plastic cap (A) is returned to its original location.

28) At the end of all setting and adjustment operations, check electrical insulation and gas leaks.

29) Check operation of flame control.

30) Check for proper flame appearance and glow on logs.

Installer Notice:
These instructions must be left with the appliance.

Conversion Kit #436-967 for NG to ULPG

THIS CONVERSION MUST BE DONE BY A QUALIFIED GAS FITTER IF IN DOUBT DO NOT DO THIS CONVERSION!!

Conversion Kit 436-967 Contains:

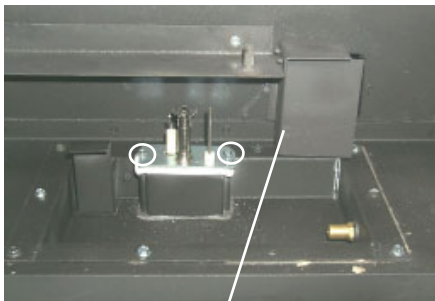
Qty.	Part #	Description
1	904-575	Burner Orifice #55
1	918-273	Red "ULPG" label
2	918-272	Label "Converted to ULPG"
1	918-339	Instruction Sheet
1	910-920	ULPG Pilot Orifice

- 1) Shut off the gas supply and unplug the power cord.
- 2) Carefully remove the glass, logs and lava rock.
- 3) Remove burner. See important note on page 11 and 18.
- 4) Remove burner orifice with a 1/2" wrench and discard. Use a wrench to hold on to the elbow behind the orifice.
- 5) Reinstall new burner orifice stamped #55 and tighten.



Burner Orifice

- 6) Remove the rear log tray.
- 7) Remove the 2 screws which secure the pilot.

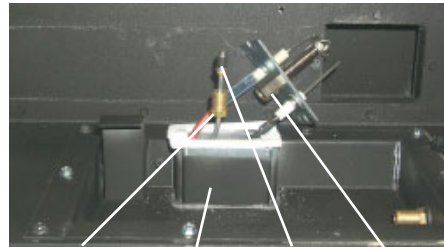


Rear Log Tray

- 8) Lift the pilot assembly and remove the pilot tube from the pilot assembly using a 11mm wrench.

- 9) Remove the NG pilot orifice and replace it with the ULPG orifice.

- 10) Re-install the pilot tube to the pilot assembly.



Pilot Tube Pilot Extrusion Tube Pilot Assembly

- 11) Re-install the pilot assembly over the pilot extrusion tube and secure it with 2 screws.

- 12) Re-install the rear log tray.

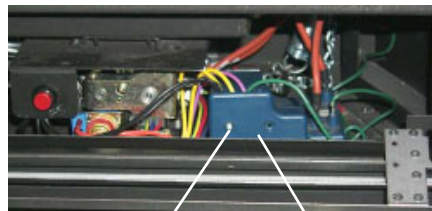
- 13) Adjust the burner aeration setting to fully open and re-install the original with the ULPG burner OR maintain minimum vent configurations as outlined on page 11 or 18.

- 14) Open the bottom louvre.

- 15) Stick the conversion label "This unit has been converted to ULPG" over top of the serial number decal.

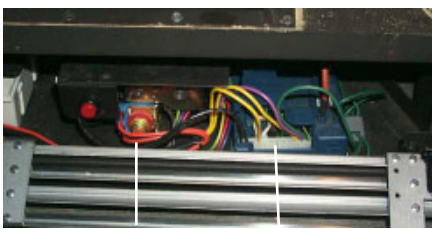
- 16) Replace the yellow "NG" label with the red "ULPG" label.

- 17) Remove the screw from the module and pull off the module cover.



screw module cover

- 18) Pull out the 2 orange wires attached to the valve, and the connector from the module.

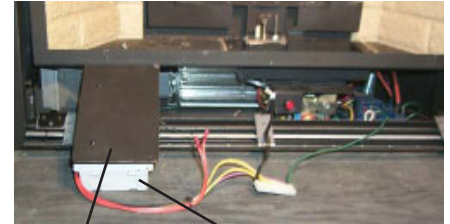


orange connector wires connector

- 19) Carefully pull out the control box.

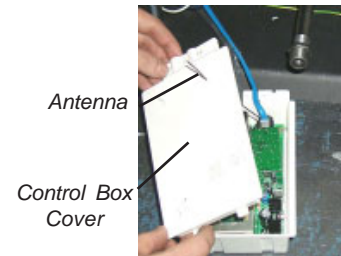
- 20) Remove the heat shield from the control box by removing the 2 screws.

NOTE: The control box is held in place with velcro.



heat shield control box

- 21) Remove the control box cover by undoing the 3 screws. Maneuver through antenna.

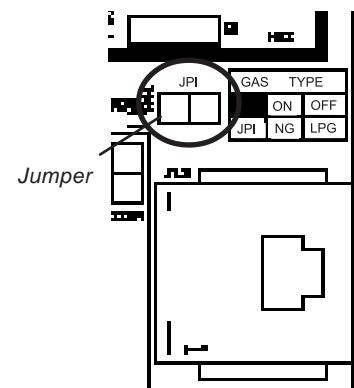


Antenna Control Box Cover

- 22) Remove the jumper using a plier.



Jumper Location



- 23) Stick the conversion label "This unit has been converted to ULPG" on the control box cover.

INSTALLATION

24) Reverse steps 22 and 17.

25) Check venting configuration on pages 17 & 18.

26) Turn on gas supply and plug in power cord.

27) Adjusting the Outlet Pressure

All the adjustments must be carried out in the following order:

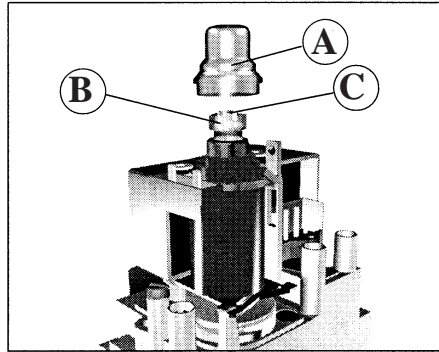
Remove the modulator plastic cap (A) using needle nose pliers.

Maximum pressure: Turn the unit ON to its highest input rating. Screw in the nut (B) to increase the outlet pressure and screw it out to decrease it. Use a 10 mm wrench.

NOTE: The outlet pressure must be set to maximum 2.40 kPa.

Minimum pressure: Remove one of the cables connected to the electric modulator. Keeping the nut (B) blocked, screw in the screw (C) to increase the pressure and screw it out to decrease it. Use a screw-driver 6 x 1 blade.

NOTE: The outlet pressure must be set to minimum 0.60 kPa.

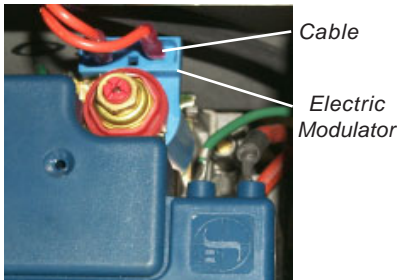


28) At the end of all setting and adjustment operations, check electrical insulation and gas leaks.

29) Check operation of flame control.

30) Check for proper flame appearance and glow on logs.

Installer Notice:
These instructions must be left with the appliance.



After carrying out all adjustments, block the setting screws with paint, taking care not to obstruct the breather orifice of the pressure.

Put back the modulator plastic cap.

WARNING: To ensure the correct operation of the modulator it is necessary that the plastic cap (A) is returned to its original location.

Conversion Kit #436-965 for NG to ULPG with Dedicated ULPG Burner

THIS CONVERSION MUST BE DONE BY A QUALIFIED GAS FITTER IF IN DOUBT DO NOT DO THIS CONVERSION!!

Conversion Kit 436-967 Contains:

Qty.	Part #	Description
1	904-575	Burner Orifice #55
1	918-273	Red "ULPG" label
2	918-272	Label "Converted to ULPG"
1	918-376	Instruction Sheet
1	910-920	ULPG Pilot Orifice
1	436-526	Burner Assembly ULPG

- 1) Shut off the gas supply and unplug the power cord.
- 2) Carefully remove the glass, logs and lava rock.
- 3) Remove burner. See important note on page 11 and 18.
- 4) Remove burner orifice with a 1/2" wrench and discard. Use a wrench to hold on to the elbow behind the orifice.
- 5) Reinstall new burner orifice stamped #55 and tighten.



Burner Orifice

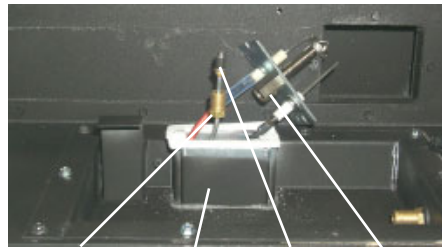
- 6) Remove the rear log tray.
- 7) Remove the 2 screws which secure the pilot.



Rear Log Tray

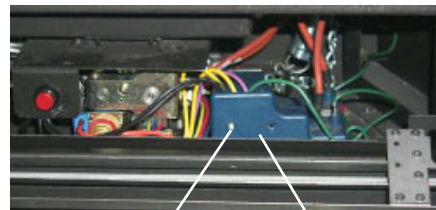
- 8) Lift the pilot assembly and remove the pilot tube from the pilot assembly using a 11mm wrench.

- 9) Remove the NG pilot orifice and replace it with the ULPG orifice.
- 10) Re-install the pilot tube to the pilot assembly.



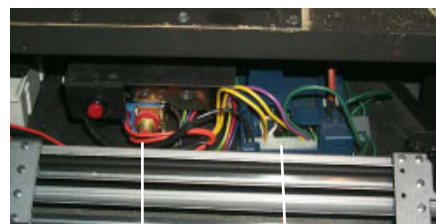
Pilot Tube Pilot Extrusion Tube Pilot Orifice Pilot Assembly

- 11) Re-install the pilot assembly over the pilot extrusion tube and secure it with 2 screws.
- 12) Re-install the rear log tray.
- 13) Adjust the burner aeration setting to fully open and re-install the original with the ULPG burner OR maintain minimum vent configurations as outlined on page 11 or 18.
- 14) Open the bottom louvre.
- 15) Stick the conversion label "This unit has been converted to ULPG" over top of the serial number decal.
- 16) Replace the yellow "NG" label with the red "ULPG" label.
- 17) Remove the screw from the module and pull off the module cover.



screw module cover

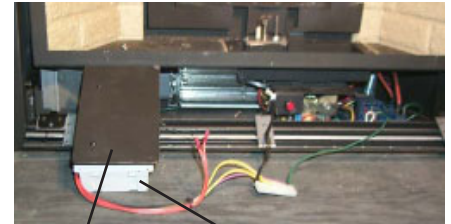
- 18) Pull out the 2 orange wires attached to the valve, and the connector from the module.



orange connector wires connector

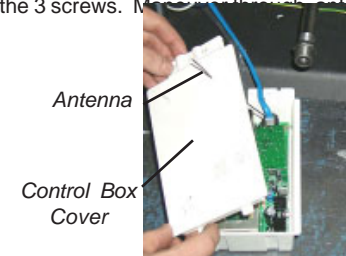
- 19) Carefully pull out the control box.
- 20) Remove the heat shield from the control box by removing the 2 screws.

NOTE: The control box is held in place with



heat shield velcro. control box

- 21) Remove the control box cover by undoing the 3 screws. Make sure to keep the antenna.

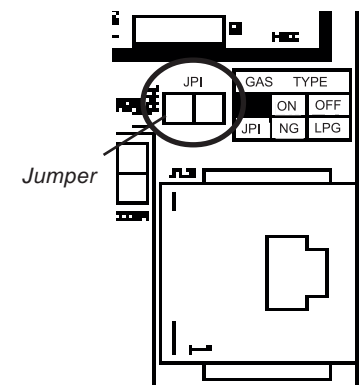


Antenna Control Box Cover

- 22) Remove the jumper using a plier.



Jumper Location



- 23) Stick the conversion label "This unit has been converted to ULPG" on the control box cover.

INSTALLATION

24) Reverse steps 22 and 17.

25) Check venting configuration on pages 17 & 18.

26) Turn on gas supply and plug in power cord.

27) Adjusting the Outlet Pressure

All the adjustments must be carried out in the following order:

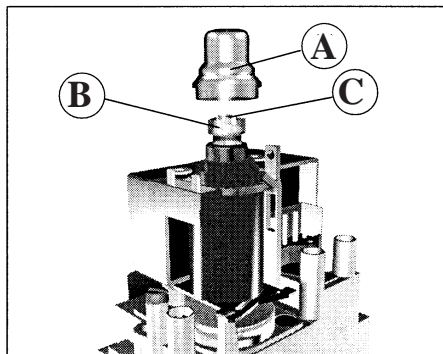
Remove the modulator plastic cap (A) using needle nose pliers.

Maximum pressure: Turn the unit ON to its highest input rating. Screw in the nut (B) to increase the outlet pressure and screw it out to decrease it. Use a 10 mm wrench.

NOTE: The outlet pressure must be set to maximum 2.40 kPa.

Minimum pressure: Remove one of the cables connected to the electric modulator. Keeping the nut (B) blocked, screw in the screw (C) to increase the pressure and screw it out to decrease it. Use a screwdriver 6 x 1 blade.

NOTE: The outlet pressure must be set to minimum 0.60 kPa.

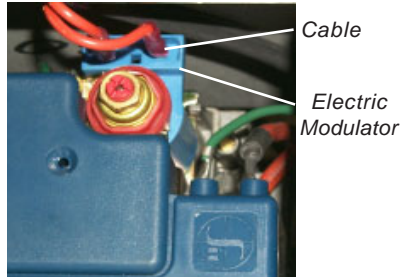


28) At the end of all setting and adjustment operations, check electrical insulation and gas leaks.

29) Check operation of flame control.

30) Check for proper flame appearance and glow on logs.

Installer Notice:
These instructions must be left with the appliance.



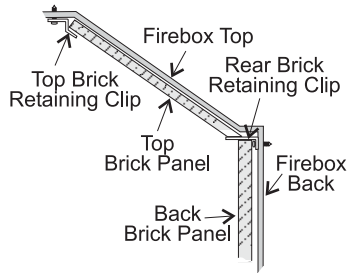
After carrying out all adjustments, block the setting screws with paint, taking care not to obstruct the breather orifice of the pressure.

Put back the modulator plastic cap.

WARNING: To ensure the correct operation of the modulator it is necessary that the plastic cap (A) is returned to its original location.

OPTIONAL BRICK PANELS

- 1) Undo the bottom 2 door latches and open and remove glass door. Remove logs.
- 2) Attach the 2 Rear Brick Retaining clips to the rear wall. Loosen the screws in the top and rear wall of the firebox and slide the retaining clips into position (tight against the firebox top) and then tighten the screws.

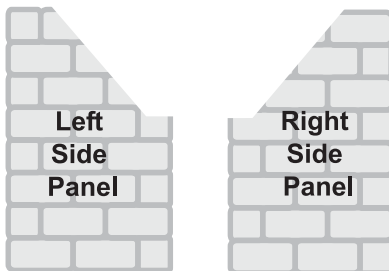


Note: The logs must not be in the unit.

- 3) Insert the back brick panel by carefully slipping it between the back wall of the firebox and the rear log bracket.



- 4) Put the side panels in next. Slide them in from the front and push them flat up against the wall. Be very careful not to scratch them on the firebox hardware.



- 5) Slide the Top Brick Panel into position and slide the Top Brick Retaining clips so that they hold the Top Brick Panel in place and tighten down the screws.



LOG SET INSTALLATION

Read the instructions below carefully and refer to the diagrams. If logs are broken do not use the unit until they are replaced. Broken logs can interfere with the pilot operation.

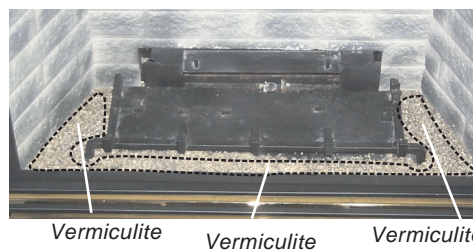
The 3-digit numbers (i.e. 250) are molded into the rear of each log.

Log Kit # 431-930 contains the following pieces:

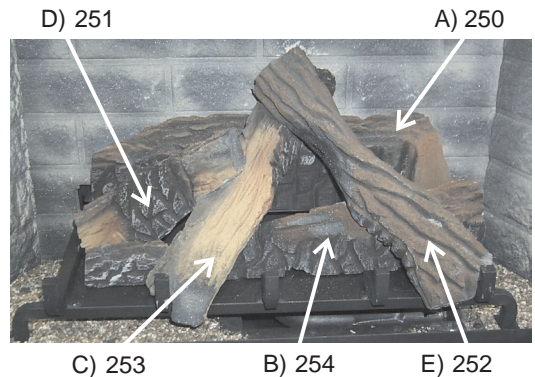
A) 250	Rear Log	902-250
B) 254	Middle Cross Log	902-254
C) 253	Front Left Cross Log	902-253
D) 251	Rear Left Log	902-251
E) 252	Front Right Cross Log	902-252
F)	Embers	902-156
G)	Vermiculite	902-179/21
H)	Rockwool	902-153

NOTE: If you will be installing the optional Brick Panels, install the Brick Panels prior to installing the logs.

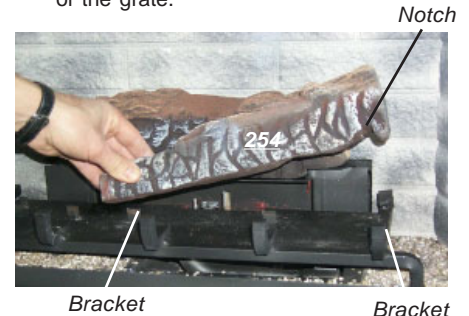
- 1) Carefully remove the logs from the box and unwrap them. The logs are fragile, handle with care - do not force into position.
- 2) Sprinkle the vermiculite and embers around the firebox base.



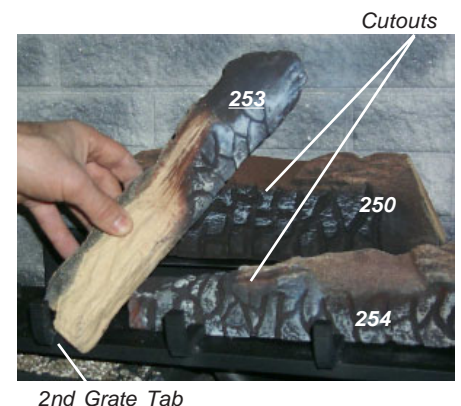
- 3) Place the Log 250 on the rear log support pins with the flat side to the back.



- 4) Place Log 254 on the front right side of the burner. Push the back of the log against the 2 brackets with the notch on the bottom right side of the log fitting into the right side of the grate.



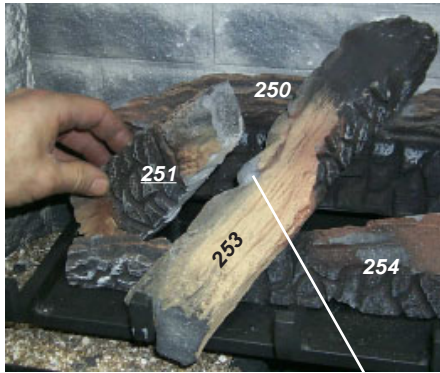
- 5) Position Log 253 across the cutouts in Logs 250 and 254 with the notch on the left side of the log fitting into the 2nd grate tab.



INSTALLATION

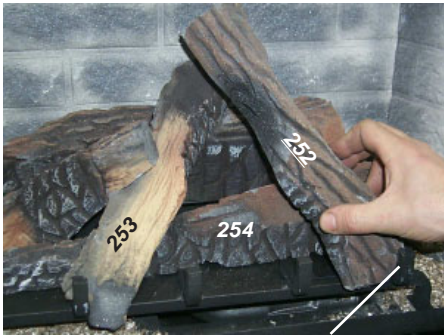


6) Place the bottom left front edge of Log 251 against the left edge of the burner tray and rest the log on the cutout on Log 253.



Cutout

7) Position Log 252 across the cutouts in Logs 254 and 253. The notch in the bottom right end fitting against the 5th grate tab.



5th Grate Tab



8) Pull off ember size pieces of rockwool and gently place them on the front of the burner tray in the places shown in the photo below. Do not compress the rockwool, leave it loose.



Place rockwool in these 2 locations on the burner tray.

9) Test fire to ensure proper light off (make sure flame flows smoothly from one end of burner to the other). If there is any flame hesitation, check that area for any blockage of the burner ports.

10) Install flush glass and bay glass (if used) as per instructions in this manual.

STANDARD FLUSH DOOR

The standard flush door comes with a black frame. To install the frame, simply hook the top door flange onto the top of the unit and swing the door towards the unit, diagram 1. Be careful that the glass gasket does not roll up; there must be a gap between the gasket and the door lip to ensure that the door sits securely on the unit. Diagram 2.

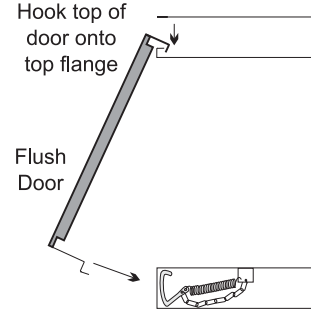
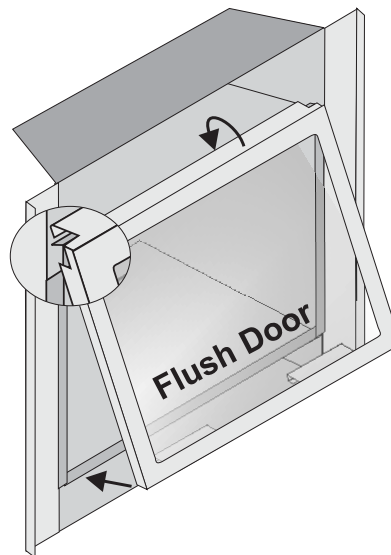


Diagram 1

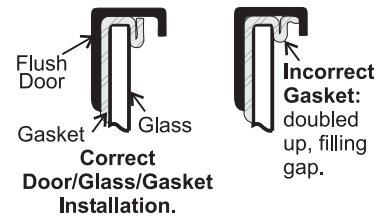


Diagram 2

Use the hook to pull the spring out until you can put the hook into the slot on the bottom door bracket. Repeat for 2nd spring. See diagram 3.

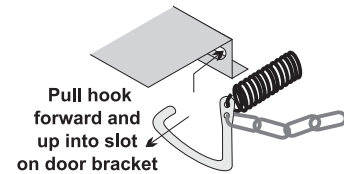
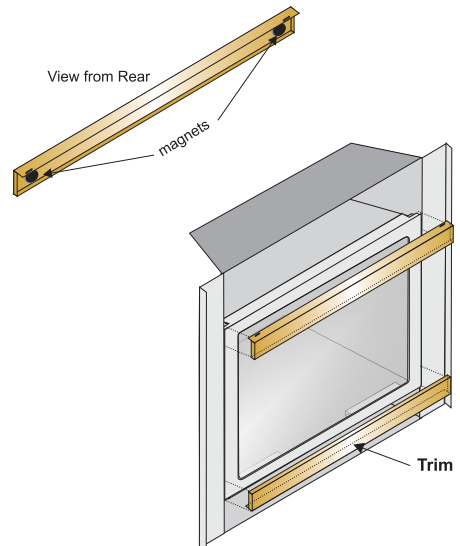


Diagram 3

To remove the flush door, reverse the above steps.

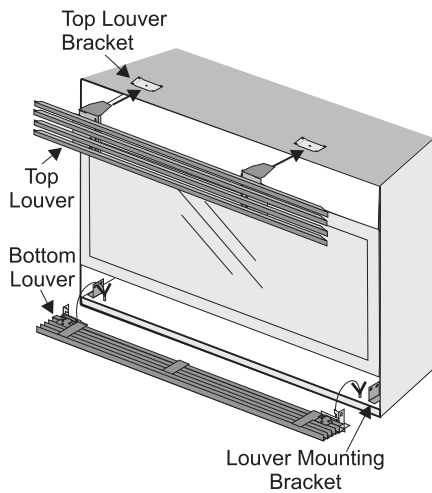
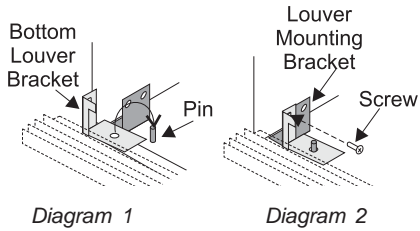
Optional Flush Trim

Attach the round magnets to the back of the top trim piece and to the bottom trim piece, then attach trim to the top and bottom of Flush door.



FLUSH LOUVERS

- 1) Install the top louver by sliding the two bracket clips into the brackets located underneath the top of the firebox.
- 2) Install the bottom louver by folding the louver down and then sliding the Bottom Louver bracket down onto the 2 pins on the base of the unit (dia. 1). Secure with 1 screw as per diagram 2.



Note: Top and bottom louvers are different.

DOUBLE SCREEN DOOR

- 1) Pull out the top louver.
- 2) Center the screen door and hook over the flush door.



- 3) Open the screen door(s) and secure the screen door to the flush door front with 2 clips on the bottom left and right side.



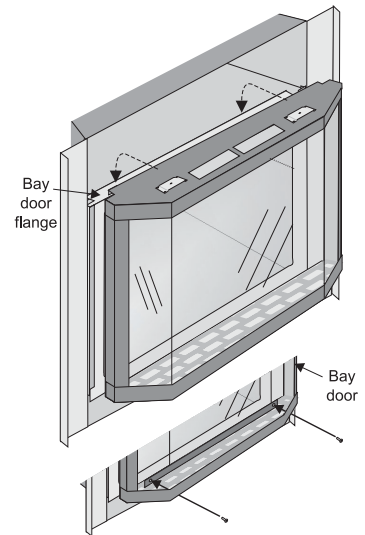
Clip installed on right side.

OPTIONAL BAY DOOR

The Bay louvers **MUST** be used with the Bay glass option.

The optional Bay door is an overlay on the flush front. The standard flush door and glass must remain on the unit.

- 1) Hook the top of the bay door over the flush door flange and swing the bottom against the bottom flange of the flush door.
- 2) Secure to the flush door bottom bracket with 2 screws provided.
- 3) Slide the valve extension knobs onto the valve knobs.

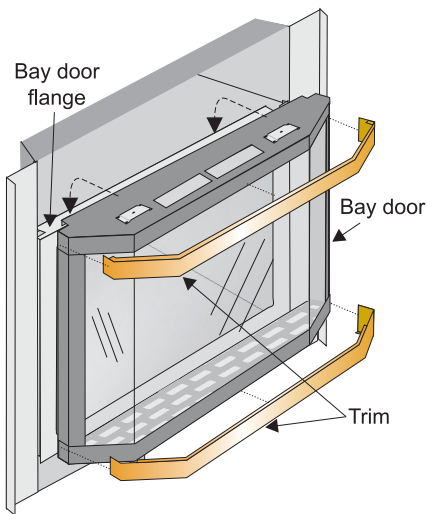
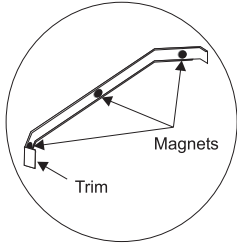


Note: If any maintenance etc. must be done in the firebox, first remove the Bay louvers and door.

INSTALLATION

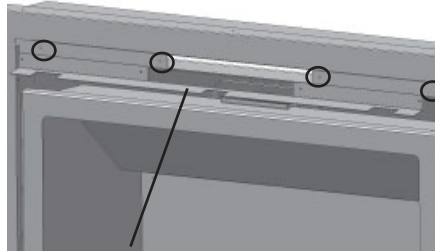
Optional Bay Trim

Attach 4 supplied magnets each to the back of the top and bottom trim pieces, and attach trim to the top and bottom of Bay door.



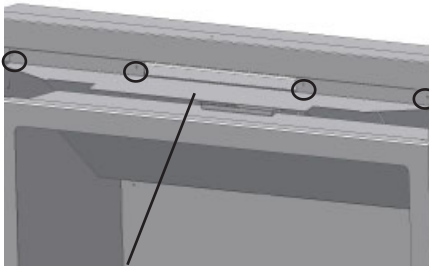
BAY LOUVERS

- 1) Remove flush louver top heat shield by removing the 4 screws.



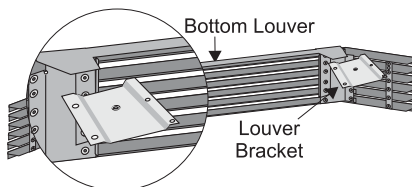
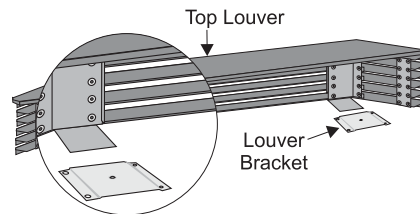
Flush Louver Top Heat Shield

- 2) Install the bay louver top heat shield and secure with 4 screws.



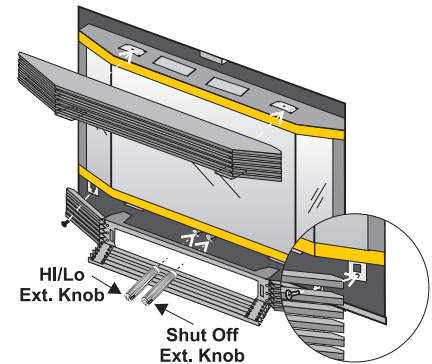
Bay Louver Top Heat Shield

- 3) Install top louver by sliding the two bracket clips into the brackets located on top of the bay door. See below. The fitted louver leaves a small gap between faceplate bottom and louver top.



- 4) Install bottom louver by sliding the two bracket clips into the brackets located underneath the bay door. Secure with 1 screw into each Bottom Louver Mounting Bracket as per diagram below. Use the bottom hole in the bracket.

- 5) Slide the valve extension knobs onto the valve knobs. Match the correct ext. knob with the valve knob.

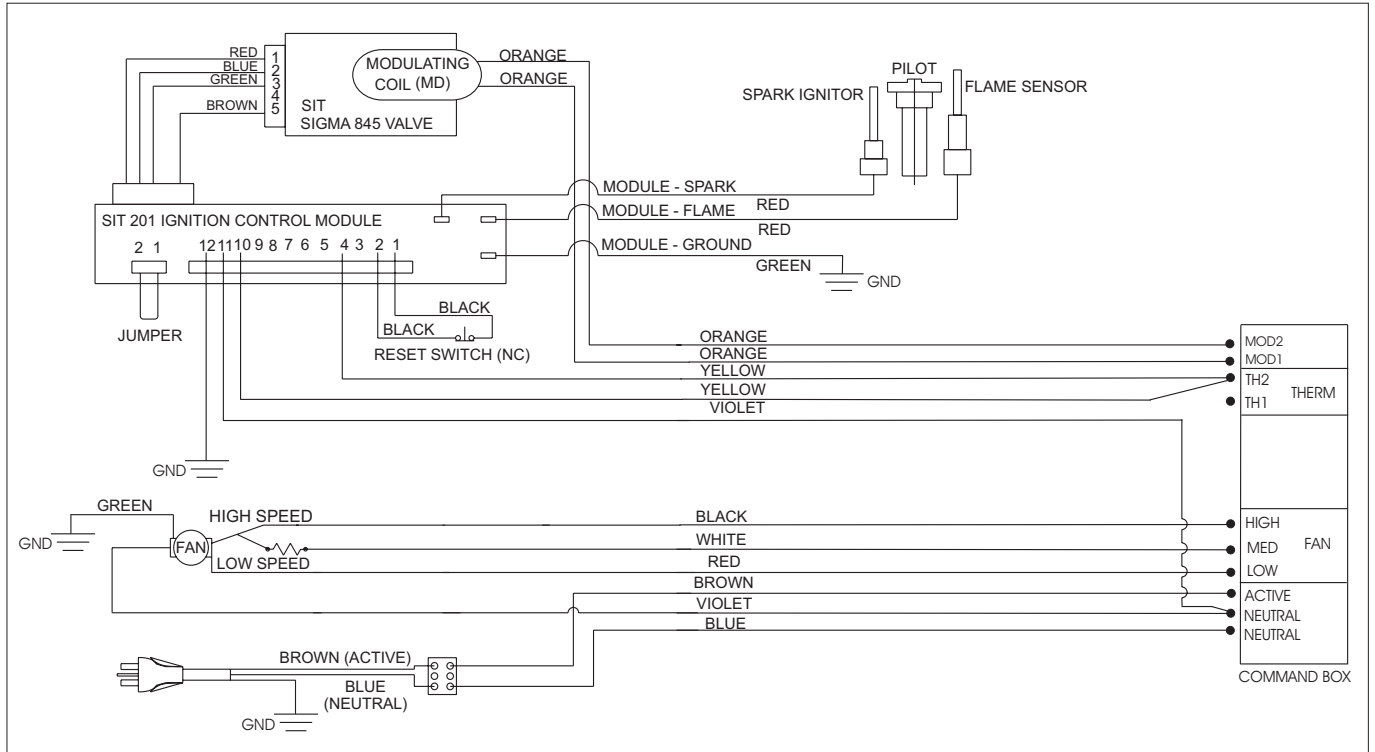


WIRING

This heater requires a 240V A.C. supply for the gas control to operate. A 240V A.C. power supply is needed for the fan/blower operation.

Caution: Ensure that the wires do not touch any hot surfaces and are away from sharp edges.

CAUTION: Label all wires prior to disconnection when servicing controls. Wiring errors can cause improper and dangerous operation.



WARNING: Electrical Grounding Instructions

This appliance is equipped with a three pronged (grounding) plug for your protection against shock hazard and should be plugged directly into a properly grounded three-prong receptacle. Do not cut or remove the grounding prong from this plug.

OPERATING INSTRUCTIONS

COPY OF THE LIGHTING PLATE INSTRUCTIONS

FOR YOUR SAFETY READ BEFORE LIGHTING

This appliance must be installed in accordance with local codes, if any; if not, follow the current CAN1-B149/ANSI Z 223.1 (Australia: AG601, New Zealand: NZS 5261)

WARNING: If you do not follow these instructions exactly, a fire or explosion may result causing property damage, personal injury or loss of life. Improper installation, adjustment, alteration, service or maintenance can cause injury or property damage. Refer to the owner's information manual provided with this appliance. For assistance or additional information consult a qualified installer, service agency or gas supplier.

A) BEFORE LIGHTING smell all around the appliance area for gas. Be sure to smell next to the floor because some gas is heavier than air and will settle on the floor.

WHAT TO DO IF YOU SMELL GAS

- Do not try to light any appliance
- Do not touch any electric switch, do not use any phone in your building
- Immediately call your gas supplier from a neighbors phone. Follow the gas supplier's instructions.
- If you cannot reach your gas supplier, call the fire department.

B) Do not use this appliance if any part has been under water. Immediately call a qualified service technician to inspect the appliance and to replace any part of the control system and any gas control which has been under water.

This appliance needs fresh air for safe operation and must be installed so there are provisions for adequate combustion and ventilation air.

CAUTION: Hot while in operation. Do not touch. Severe Burns may result. Due to high surface temperatures keep children, clothing and furniture, gasoline and other liquids having flammable vapors away. Keep burner and control compartment clean. See installation and operating instructions accompanying appliance.

LIGHTING INSTRUCTIONS

STOP! Read the safety information above on this label.

- 1) Plug the power cord into a power outlet.
- 2) Press and release the ON/OFF button once to start the unit.
- 3) After approximately 3 seconds the spark ignition system will spark for 40 seconds to light the main burner.
- 4) If the main burner does not light, check the gas and reset the unit.

TO TURN OFF GAS APPLIANCE

- 1) Press the ON/OFF button once.
- 2) Turn off all electric power to the unit if service is to be performed.

DO NOT REMOVE THIS INSTRUCTION PLATE

918-332

WARNING:
DO NOT SPRAY AEROSOLS IN THE VICINITY OF
THIS APPLIANCE WHILE IN OPERATION.

OPERATING INSTRUCTIONS

REMOTE CONTROL

Use the Masport Remote Control Kit approved for this unit. Use of other systems may void your warranty.

The remote control kit comes with a hand held transmitter and a wall mounting plate.

- 1) Choose a convenient location to mount the hand held transmitter, protection from extreme heat is very important.

The remote can also be used as a wall thermostat.



LIGHTING INSTRUCTIONS

- 1) Plug the power cord into a power outlet.
- 2) Press and release the ON/OFF button once to start the unit.
- 3) After approximately 3 seconds the spark ignition system will spark for 40 seconds to light the main burner.
- 4) If the main burner does not light, reset the unit.

RESETTING THE UNIT

- 1) Open the bottom louvre of the unit.
- 2) Press the reset button for approximately 3 seconds. It is located on the unit's control panel once.
- 3) Wait for approximately 3 seconds and the pilot sparks can be heard and seen. It would take 2 to 3 seconds for the flame to be lit.

FIRST FIRE

The **FIRST FIRE** in your heater is part of the paint curing process. To ensure that the paint is properly cured, it is recommended that you burn your fireplace for at least four (4) hours the first time you use it with the fan on.

When first operated, the unit will release an odour caused by the curing of the paint and the burning off of any oils remaining from manufacturing. Smoke detectors in the house may go off at this time. Open a few windows to ventilate the room for a couple of hours. The glass may require cleaning.

NOTE: The main burner will always start on "HIGH" and resume it's last setting after 20 seconds of operation.

NOTE: When the glass is cold and the appliance is lit, it may cause condensation and fog the glass. This condensation is normal and will disappear in a few minutes as the glass heats up.

DONOT ATTEMPT TO CLEAN THE GLASS WHILE IT IS STILL HOT!

DO NOT BURN THE APPLIANCE WITHOUT THE GLASS FRONT IN PLACE.

OPERATING INSTRUCTIONS

Before operating this appliance, proceed through the following check list.

- 1) Read and understand these Instructions before operating this appliance.
- 2) Check to see that all wiring is correct and enclosed to prevent possible shock.
- 3) Check to ensure there are no gas leaks.
- 4) Make sure the three pieces of door glass are properly positioned. Never operate the appliance with any of the glass removed or with the door open.
- 5) Verify that all flueing and the cap is unobstructed.
- 6) Verify log placement.

SHUTDOWN INSTRUCTIONS

- 1) Press the ON/OFF button once.
- 2) Turn off all electric power to the appliance if service is to be performed.

During the first few fires, a white film may develop on the glass front as part of the curing process. The glass should be cleaned or the film will bake on and become very difficult to remove. Use a non-abrasive cleaner and NEVER clean the glass while it is hot.

OPERATING INSTRUCTIONS

FAN OPERATION

Set the fan speed on the control panel located in behind the bottom louver.

Pressing and releasing the plus (+) FAN button will change the fan speed as follows:

OFF -> LOW -> MEDIUM -> HIGH -> OFF, etc.

Pressing and releasing the minus (-) FAN button will be the reverse of the above.



ADJUSTING FLAME HEIGHT

There are six flame settings that can be adjusted by pressing and releasing the plus (+) and minus (-) FLAME button.

The FLAME setting button is located on the control panel in behind the pedestal door.

SUMMARY OF CONTROLS

On/Off Button

If the unit is switched off, pressing and releasing this button once will switch the unit on. The unit will resume its last settings.

If the unit is switched on, pressing and releasing this button once will switch the unit off.

Flame:

Increase - If the unit is switched on, pressing and releasing the flame plus (+) button once will increase the flame height to the next available high setting.

Decrease - If the unit is switched on, pressing and releasing the flame minus (-) button once will decrease the flame height to the next available low setting.

Fan:

Increase - If the unit is switched on, pressing and releasing the fan plus (+) button once will increase the fan speed to the next available high setting.

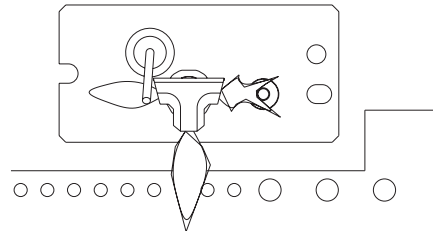
Decrease - If the unit is switched on, pressing and releasing the fan minus (-) button once will decrease the fan speed to the next available low setting.

PILOT ADJUSTMENT

Periodically check the pilot flames. The correct flame pattern has 3 strong blue flames.

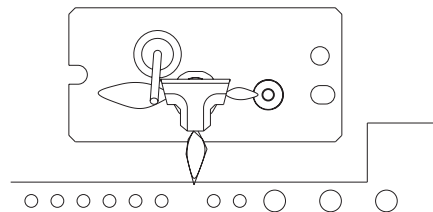
One flowing around the thermocouple, the second flowing across the rear of the burner (it does not have to be touching the burner) and the third flame flowing tangent to the spark ignitor.

NOTE: If you have an incorrect flame pattern, contact your Masport dealer for further instructions.



Rear of Burner

An incorrect flame pattern will have small, probably yellow flames, not coming into proper contact with the rear of the burner or thermopile.



Rear of Burner

NORMAL OPERATING SOUNDS OF GAS APPLIANCES

It is possible that you will hear some sounds from your gas appliance. This is perfectly normal due to the fact that there are various gauges and types of steel used within your appliance. Listed below are some examples. All are **normal operating sounds** and should not be considered as defects in your appliance.

Blower:

Masport gas appliances use high tech blowers to push heated air farther into the room. It is not unusual for the fan to make a "whirring" sound when ON. This sound will increase or decrease in volume depending on the speed setting of your fan speed control.

Burner Tray:

The burner tray is positioned directly under the burner tube(s) and logs and is made of a different gauge material from the rest of the firebox and body. Therefore, the varying thicknesses of steel will expand and contract at slightly different rates which can cause "ticking" and "cracking" sounds. You should also be aware that as there are temperature changes within the unit these sounds will likely re-occur. Again, this is normal for steel fireboxes.

Gas Control Valve:

As the gas control valve turns ON and OFF, a dull clicking sound may be audible, this is normal operation of a gas regulator or valve.

Unit Body/Firebox:

Different types and thicknesses of steel will expand and contract at different rates resulting in some "cracking" and "ticking" sounds will be heard throughout the cycling process.

MAINTENANCE INSTRUCTIONS

Any maintenance required accessing the glass door of the unit must be performed by an authorized service person.

- 1) Always unplug the power cord before cleaning. For relighting, refer to lighting instructions. Keep the burner and control compartment clean by brushing and vacuuming at least once a year. When cleaning the logs, use a soft clean brush as the logs are fragile and easily damaged.
- 2) Clean glass (never when unit is hot), appliance, louvres, and door with a damp cloth. Never use an abrasive cleaner. The gold louvres (and optional gold door) may be scratched if abrasives are used to clean them.

The heater is finished in a heat resistant paint and should only be refinished with heat resistant paint (not with wall paint). Masport uses StoveBright Paint - Metallic Black #6309.

- 3) Make a periodic check of burner for proper position and condition. Visually check the flame of the burner periodically, making sure the flames are steady; not lifting or floating. If there is a problem, call an authorized service person.
- 4) The appliance and flueing system must be inspected before use, and at least annually, by an authorized field service person, to ensure that the flow of combustion and ventilation air is not obstructed.

During the annual service call, the burners should be removed from the burner tray and cleaned. Replace the embers - do not block the pilot or burner ports.

- 5) Keep the area near the appliance clear and free from combustible materials, gasoline and other flammable vapours and liquids.

WARNING: CHILDREN AND ADULTS SHOULD BE ALERTED TO THE HAZARDS OF HIGH SURFACE TEMPERATURE AND SHOULD STAY AWAY TO AVOID BURNS OR CLOTHING IGNITION. YOUNG CHILDREN SHOULD BE CAREFULLY SUPERVISED WHEN THEY ARE IN THE SAME ROOM AS THE APPLIANCE.

CAUTION: ANY SAFETY SCREEN OR GUARD REMOVED FOR SERVICING AN APPLIANCE MUST BE REPLACED PRIOR TO OPERATING THE APPLIANCE.

CLOTHING OR OTHER FLAMMABLE MATERIAL SHOULD NOT BE PLACED ON OR NEAR THE APPLIANCE.

DO NOT USE THIS APPLIANCE IF ANY PART HAS BEEN UNDER WATER. IMMEDIATELY CALL AN AUTHORIZED SERVICE TECHNICIAN TO INSPECT THE APPLIANCE AND TO REPLACE ANY PART OF CONTROL SYSTEM AND ANY GAS CONTROL WHICH HAS BEEN UNDER WATER.

- 6) Verify proper operation after servicing.

General Flue Maintenance

Conduct an inspection of the flueing system semi-annually. Recommended areas to inspect as follows:

- 1) Check the Flueing System for corrosion in areas that are exposed to the elements. These will appear as rust spots or streaks, and in extreme cases, holes. These components should be replaced immediately.
- 2) Remove the Cap, and shine a flashlight down the Flue. Remove any bird nests, or other foreign material.
- 3) Check for evidences of excessive condensation, such as water droplets forming in the inner liner, and subsequently dripping out the joints, Continuous condensation can cause corrosion of caps, pipe, and fittings. It may be caused by having excessive lateral runs, too many elbows, and exterior portions of the system being exposed to cold weather.
- 4) Inspect joints, to verify that no pipe sections or fittings have been disturbed, and consequently loosened. Also check mechanical supports such as Wall Straps, or plumbers' tape for rigidity.

GOLD-PLATED or BRASS LOUVERS/TRIM

The 24 carat gold-plated or brass finish on the louvers and trim requires little maintenance, and need only be cleaned with a damp cloth. DO NOT use abrasive materials or chemical cleaners, as they may harm the finish and void the warranty. **Clean any fingerprints off before turning the unit on.**

LOG REPLACEMENT

The unit should never be used with broken logs. Turn off the gas valve and allow the unit to cool before opening door and carefully remove the logs. (The pilot light generates enough heat to burn someone.) If for any reason a log should need replacement, you must use the proper replacement log. The position of these logs must be as shown in the diagrams under Log Installation.

Note: Improper positioning of logs may create carbon build-up and will severely alter the unit's performance which is not covered under warranty.

MAINTENANCE

GLASS GASKET

If the glass gasket requires replacement use 5/8" flat glass gasket for the Bay Front (Part # 936-243) and a tadpole glass gasket for the Flush Front (Part # 936-155).

DOOR GLASS

Your Masport stove is supplied with high temperature, 5 mm Neoceram ceramic glass that will withstand the highest heat that your unit will produce. If your glass requires cleaning, we recommend using an approved glass cleaner available at all authorized dealers. Do not use abrasive materials. Do not clean the glass when hot.

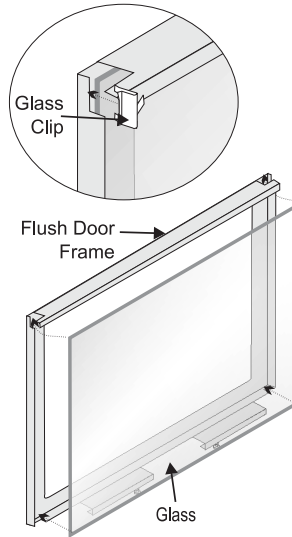
In the event that you break your glass by impact, purchase your replacement from an authorized Masport dealer only, and follow our step-by-step instructions for replacement.

WARNING: Do not operate the appliance with the glass panels removed, cracked or broken. Replacement of the glass panels should be done by a licensed or qualified service person.

Caution: Wear gloves when removing damaged or broken glass.

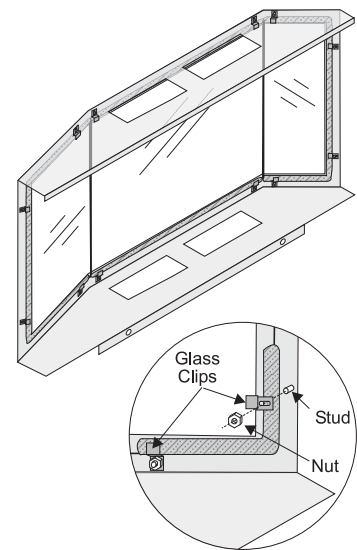
Flush Glass Replacement

Remove the flush door front. Remove the 4 glass clips from each corner. Slide in the new replacement glass. Push the 4 glass clips back onto the frame. **The glass must have gasketing around it.**



Bay Glass Replacement

- 1) Remove the door from the unit and place on a soft surface to prevent scratching.
- 2) Remove the nuts holding the glass clips in place and remove.
- 3) Replace the glass. **The glass must have gasketing around it.**
- 5) Reverse the previous steps, replace the glass clips and fasten with the nuts but do not over tighten, as this can break the glass.
- 6) Replace door on the stove and check the seal.



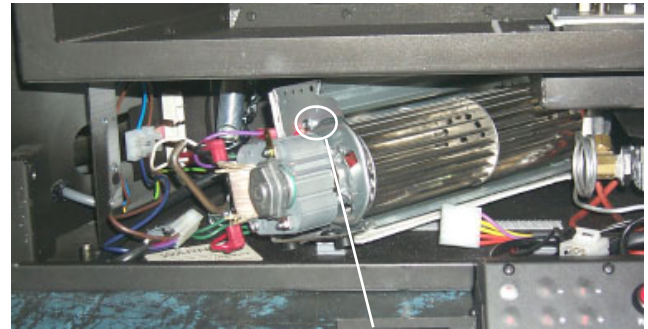
FAN REPLACEMENT

- 1) Shut off the power supply.
- 2) Remove the top louvre.
- 3) Remove the glass door.
- 4) Remove the 3 screws which secure the manual control box to the bottom louvre and remove the bottom louvre.



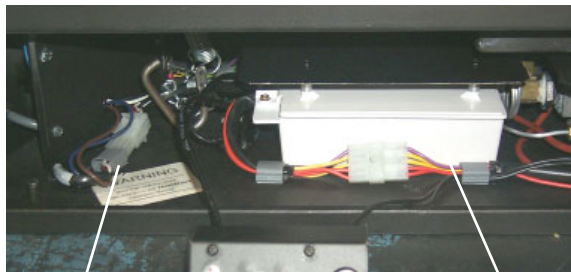
Manual Control Box

- 7) Unplug the black wire from the resistor.
- 8) Carefully slide the fan to the front left side of the unit.
- 9) Remove the screw which holds the ground wire and disconnect all electrical connectors that are attached to the fan.



Ground Wire

- 5) Unplug the 6 pin Molex connector and carefully pull out the ECS box.



6 Pin Molex Connector

ECS Box

- 10) Pull out the fan.

- 11) Reverse steps to install new fan.

- 6) Remove the electric cover by undoing the 2 screws, pull out the grommet and the harness.

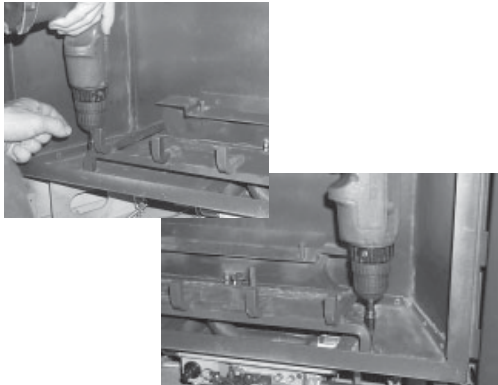


Electric Cover

MAINTENANCE

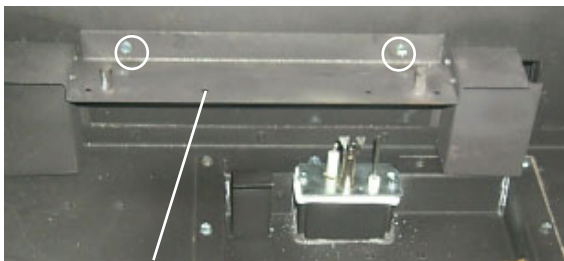
REMOVING VALVE TRAY

- 1) Shut off the gas supply.
- 2) Remove the louvres.
- 3) Open the flush door and remove door.
- 4) Remove the logs.
- 5) Remove the burner/grate assembly by removing the 2 Philips head screws and then lift the burner assembly out.



Remove the left and right screws and then lift out the burner/grate assembly.

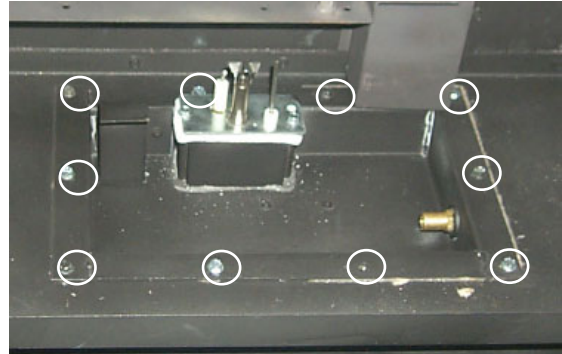
- 6) Remove the rear log log stand by removing the 2 screws.



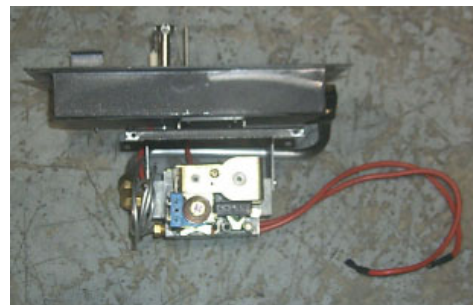
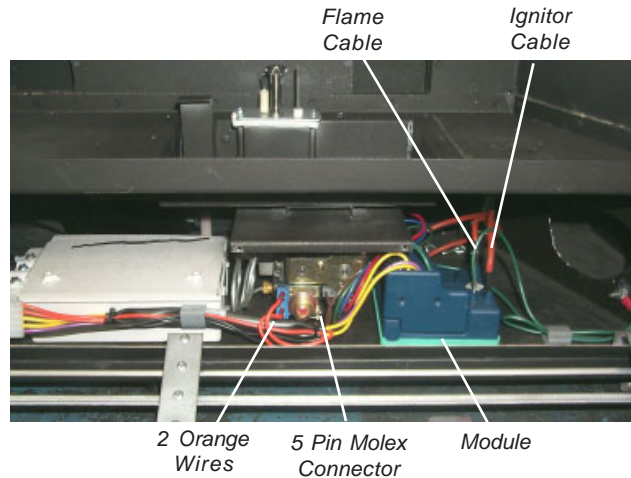
Rear Log Stand

- 7) Disconnect the inlet gas line.

- 8) Remove the 10 Philips screws which secure the valve tray assembly.



- 9) Unplug the 2 orange wires from the Gas Pressure Electric Modulator.
- 10) Unplug the 5 pin Molex Connector from the valve.
- 11) Unplug the ignitor and flame cables from the module and then lift the entire valve tray assembly out.



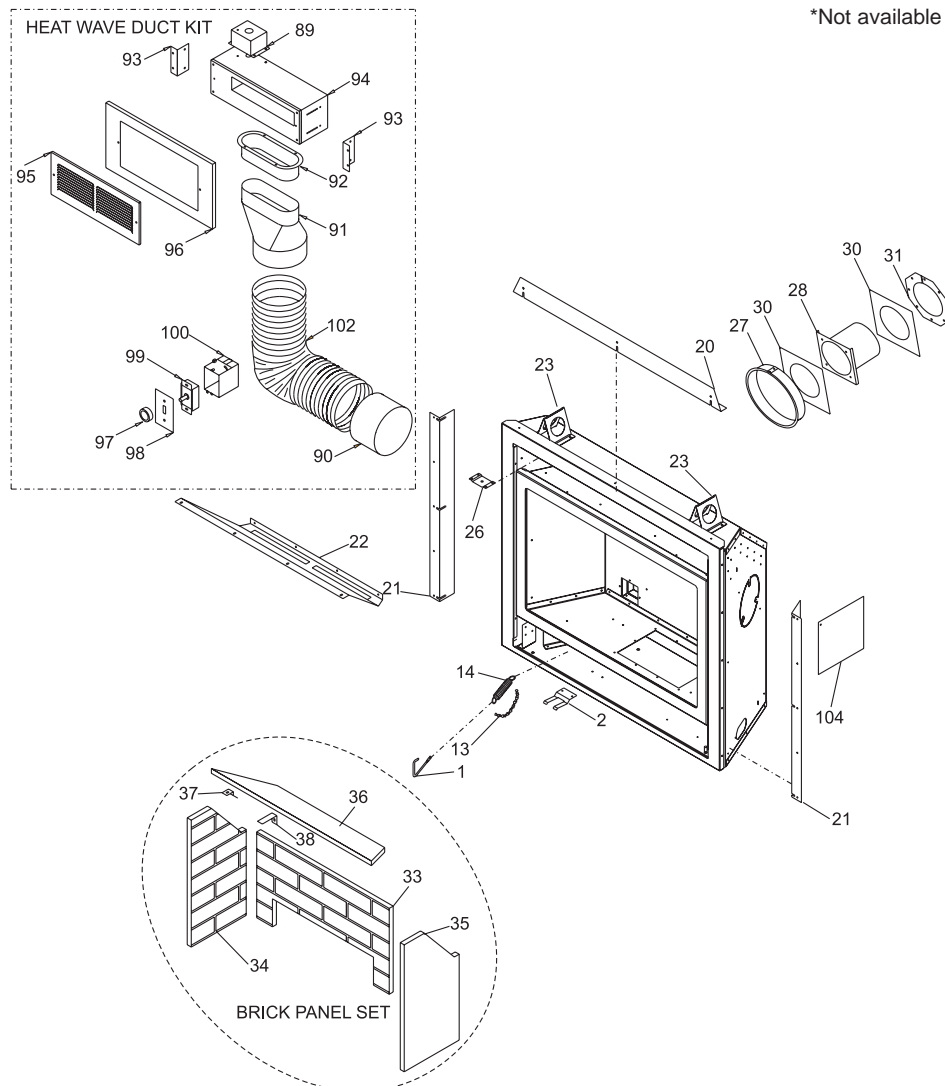
Valve Tray Assembly

- 12) To replace the burner tray assembly reverse these instructions.
- 13) Check for any gas leaks.
- 14) Check for proper flame appearance and glow on logs.

Main Assembly

Part #	Description	Part #	Description	Part #	Description
1)	948-247 Door Handle	432-928	Brick Panel Set - Standard	946-556	Optional Heat Wave Duct Kit
2)	* Thermodisc Bracket	432-901	Brick Panel Set - Standard Brown	89)	946-004 Junction Box
13)	948-045 #12 Jack Chain	432-902	Brick Panel Set - Standard Red	90)	946-000 Round Duct Adaptor
14)	948-115 Door Extension Spring	432-903	Brick Panel Set - Herringbone Brown	91)	946-002 Round to Oval Adaptor
20)	430-031 Top Nailing Strip	432-904	Brick Panel Set - Herringbone Red	92)	946-001 Oval Duct Adaptor
21)	430-032 Side Nailing Strip	33)	* Brick Panel - Rear	93)	946-007 Angle Bracket
22)	433-017 Firebox Baffle	34)	* Brick Panel - Left Side	95)	946-006 Grill Plate - White
23)	433-011F Top Standoff	35)	* Brick Panel - Right Side	96)	946-005 Wall Adaptor Plate - White
24)	511-044 Standoff - Side	36)	* Brick Panel - Top	102)	946-010 Flexible Air Duct
	790-091 Standoff - Rear	37)	430-056 Brick Clip - Top	946-038	Insulation 6" dia. x 24"
26)	* Louver Hold Down	38)	430-057 Brick Clip - Bottom	104)	690-022F Cover Plate
27)	* Outer Flue Collar	432-945	Herringbone Brick Panel Set (Optional)	436-969	Conversion Kit - NG to LPG
28)	* Inner Flue Collar Assembly	902-359	Brick Panel - Rear	436-967	Conversion Kit - NG to ULPG
30)	* Gasket - Flue Collar	902-358	Brick Panel - Left Side	510-994	Dura-Flue Adaptor
31)	* Flue Mounting Plate	902-360	Brick Panel - Right Side	918-329	Manual
		902-361	Brick Panel - Top		

*Not available as a replacement part.

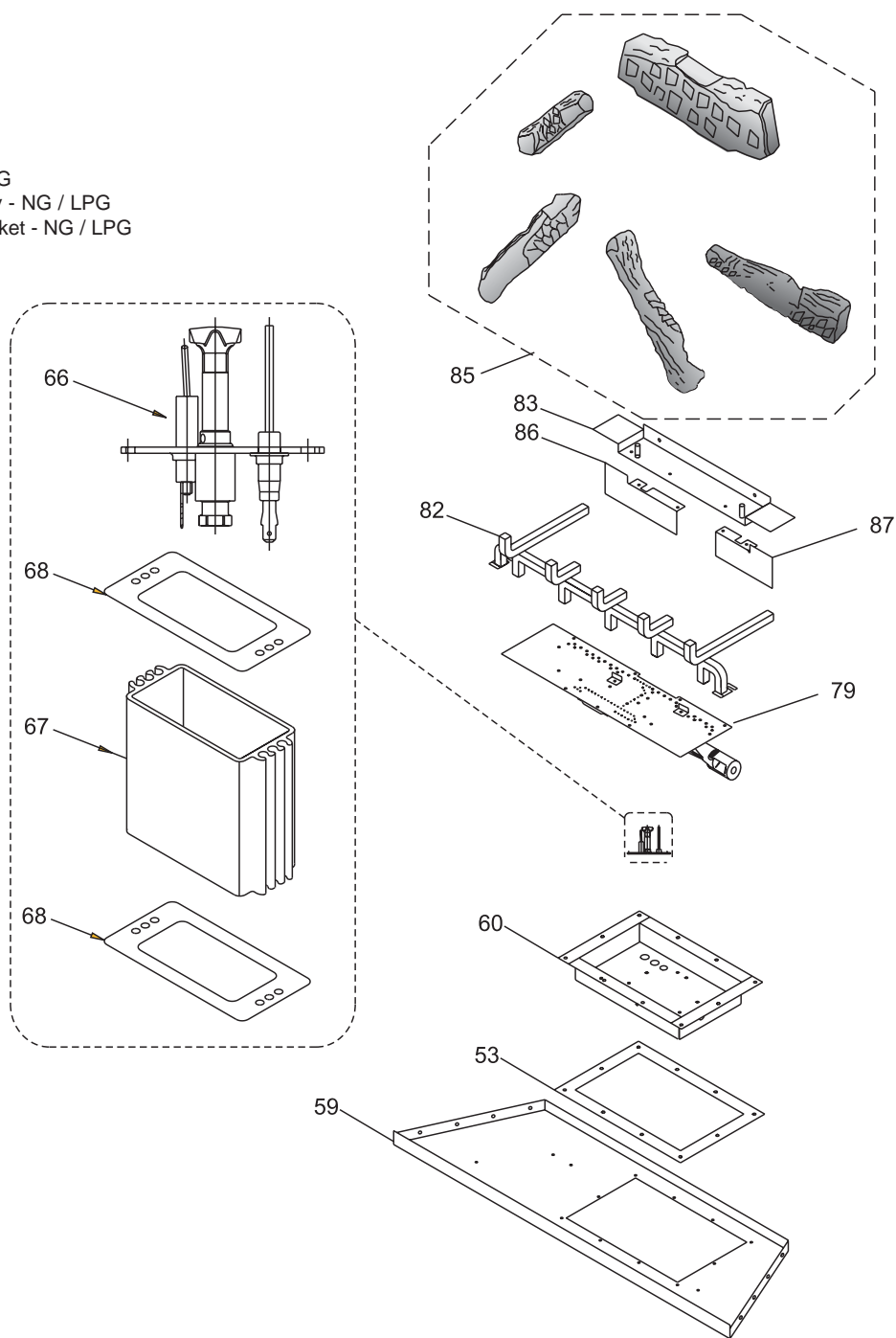


PARTS LIST

Burner & Log Assembly

Part	Description
53)	430-055 Gasket - Valve Access Plate - NG / LPG
	436-574/P Valve Assy - NG
	436-576/P Valve Assy - LPG
59)	* Firebox Base
60)	* Valve Tray
66)	910-915 Pilot Assembly - NG
	904-568 Orifice #44 - NG
	904-163 Orifice #54 - LPG
	904-575 Orifice #55 - ULPG
	936-170 Orifice Gasket
67)	* Pilot Holder
68)	W840470 Pilot Assembly Gasket
79)	433-525 Burner Assy - NG / LPG
82)	433-024 Burner Grate Assembly - NG / LPG
83)	* Rear Log Support Bracket - NG / LPG
85)	431-930 Log Set
86)	430-097 Air Deflector - Left
87)	433-018 Air Deflector - Right

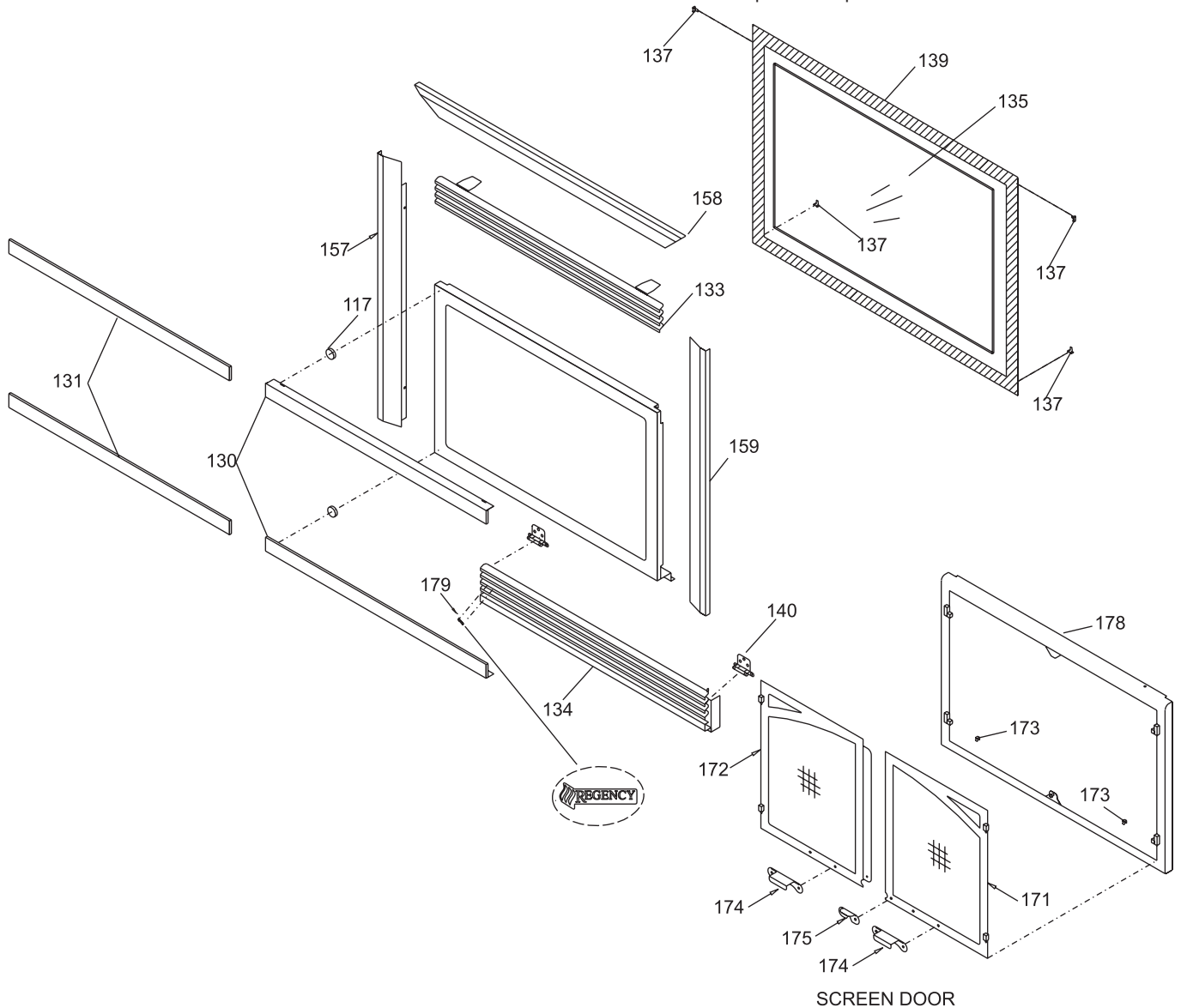
*Not available as a replacement part.



Flush Front & Louvers

Part #	Description	Part #	Description
117)	904-196 Magnet - 1' round	430-940	Finishing Trim (Set) - Black (Option)
130)	430-924 Flush Glass Trim (set) - Gold (Option)	430-942	Finishing Trim (Set) - Brass (Option)
131)	430-926 Flush Glass Trim (set) - Brass (Option)	157)	* Finishing Trim Left
	430-947 Flush Glass Trim (set) - Brushed Steel (Option)	159)	* Finishing Trim Right
		158)	* Finishing Trim Top
	430-918 Flush Louvers (set) - Gold / Black (Option)	431-943	Double Screen Door Complete (Option)
	430-920 Flush Louvers (set) - Brass / Black (Option)	171)	* Door Frame Left Assembly
	430-922 Flush Louvers (set) - Black (Option)	172)	* Door Frame Right Assembly
	430-923 Flush Louvers (set) - Black / Steel (Option)	173)	904-712 U-Clip for Frame
133)	* Flush Louver Assy - Top	174)	430-133 Door Handle
	430-162 Front Deflector	175)	511-084 Door Latch
134)	* Flush Louver Assy - Bottom	178)	* Door Support Frame Assembly
	433-538 Flush Door Assembly Complete	904-715	Pushnut Fastener 3/16"
135)	940-088/P Glass (Flush)	*	Screw - #8 x 1/2"
137)	904-691 U-Clip	179)	948-217 Masport Logo Plate
139)	936-155 Glass Gasket (Tadpole)		
140)	948-042 Spring Hinge - Black		

*Not available as a replacement part.

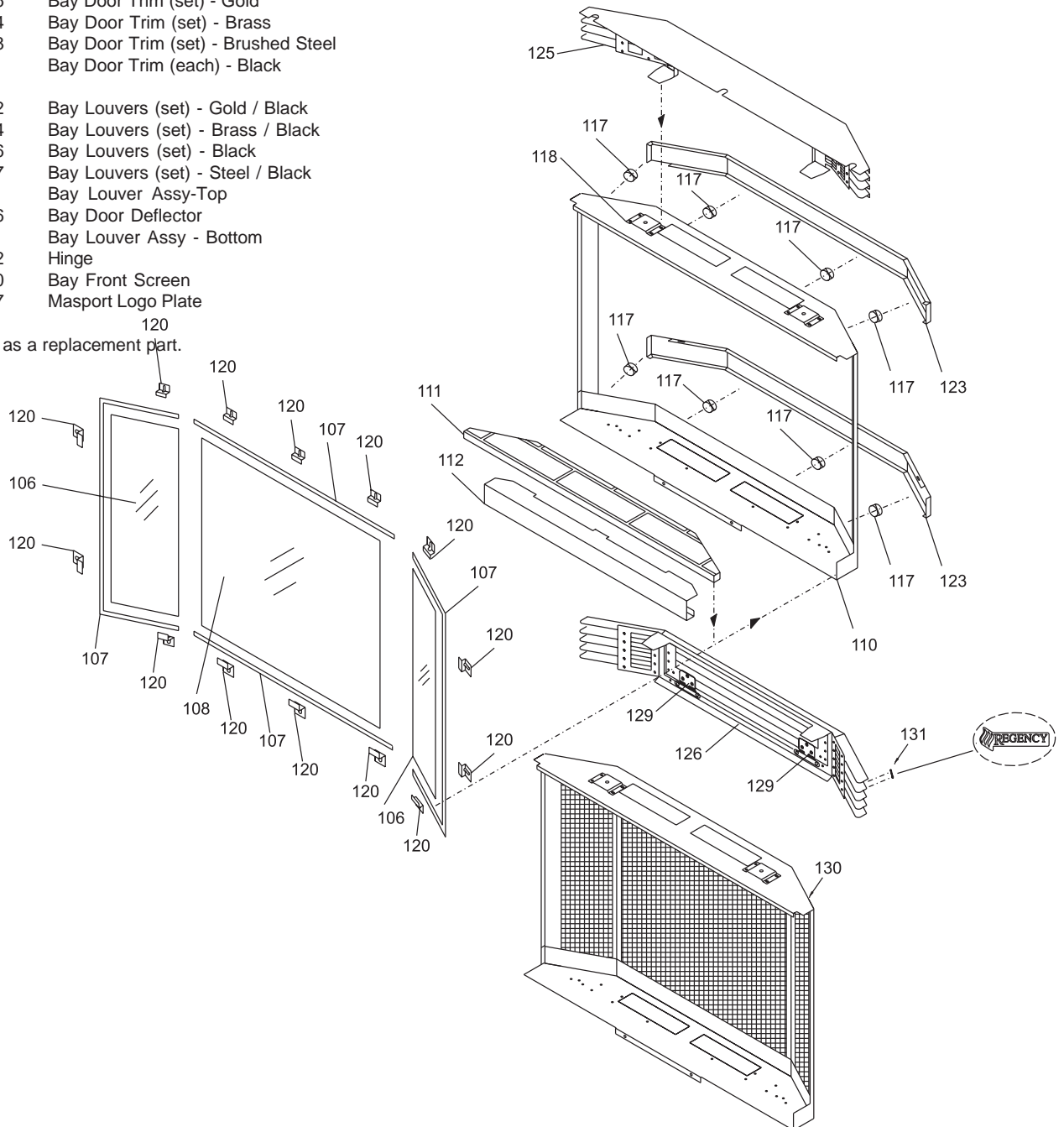


PARTS LIST

Bay Front & Louvers

Part #	Description
430-930	Bay Front Complete
106) 940-079/P	Side Glass
107) 936-243	Glass Gasket
108) 940-078/P	Center Glass
110) *	Bay Door Frame
111) 902-322	Bay Brick Panel - Standard
432-905	Bay Brick Panel - Standard Brown
432-906	Bay Brick Panel - Standard Red
112) *	Bay Brick Panel Spacer
117) 904-196	Magnet (1" round)
118) *	Louver Hold Down
120) 400-189	Glass Retainer
432-956	Bay Door Trim (set) - Gold
432-954	Bay Door Trim (set) - Brass
432-958	Bay Door Trim (set) - Brushed Steel
123) *	Bay Door Trim (each) - Black
430-932	Bay Louvers (set) - Gold / Black
430-934	Bay Louvers (set) - Brass / Black
430-936	Bay Louvers (set) - Black
430-937	Bay Louvers (set) - Steel / Black
125) *	Bay Louver Assy-Top
433-026	Bay Door Deflector
126) *	Bay Louver Assy - Bottom
129) 948-042	Hinge
130) 432-960	Bay Front Screen
131) 948-217	Masport Logo Plate

*Not available as a replacement part.



THE MASPORT EXPRESS WARRANTY

All new Masport Gas appliances are warranted, subject to the following conditions, to be free from defects in material or workmanship under normal use. The Express Warranty on all parts, including firebox components but excluding fans, flues and flue accessories is two years from date of original purchase as well as labour costs involved in the repair or replacement. The Express Warranty on fans, flues and accessories is for a period of twelve months from date of original purchase and includes labour costs involved in the repair or replacement.

This Express Warranty applies only with respect to defects in material and workmanship under normal and proper use of the NEW UNIT in its unmodified condition. Masport's obligation under this Express Warranty is limited to the repair or replacement, at its option, by an approved Masport Gas Service Agent (Retailer) of any part found to be defective in material or workmanship.

Labour costs involved in the repair or replacement are also covered under this Express Warranty as per the time condition outlined.

If an approved Masport Gas Service Agent is requested to attend on a service call that is not covered under this Express Warranty, a call out charge may be applicable, regardless of whether a repair is carried out or not.

Masport can accept no obligation whatsoever for any incidental, consequential or special damages or expenses resulting from any product defect. This Express Warranty applies from the date of original purchase, applies to the original purchaser, and is not transferable. The decision to repair or replace defective components will be made by Masport or its agent and actioned by an approved Masport Service Agent.

This Express Warranty Does Not Cover:

1. Defects, malfunctions or failures caused by incorrect installation, normal wear and tear, misuse, neglect, accidental damage or failure to follow the fuel selection, product operating and maintenance instructions, or resulting from installations, repairs or modifications to the equipment carried out by unauthorised persons.
2. Defects, malfunctions or failures caused by an act or omission of other persons after the product has left Masport's control.
3. The costs of collection and delivery of the equipment.
4. The cost of labour or materials as a consequence of faulty installation of gas supply line, flue, burner or log settings, or non-compliance with local codes.

The Express Warranty is not intended to exclude any rights the purchaser may have under the laws of the place, state, or country of purchase. Nothing in this Express Warranty limits or restricts any other statutory right or remedy available to the purchaser.

How You Obtain Warranty Service:

Provide proof of the date of purchase. Should the need for a warranty claim arise reasonable proof of the purchase date is required therefore you should retain your sales receipt. Where flueless appliances are not permanently installed, they should be returned to a Service Agent for evaluation.

Make the faulty part(s) available for inspection by Masport and/or its agents so that the validity of the claim can be established by them.

Australia Distributor:

Masport Pty Limited
P.O. Box 533
Braeside, Victoria, 3195

New Zealand:

Masport Limited
P.O. Box 14-349
Panmure
Auckland 6

For your own records, please complete the following:

Model: _____	Serial Number: _____
Retailer: _____	

Purchase Date: _____	

