

Owners & Installation

Manual

LISTINGS AND CODE APPROVALS

These gas appliances have been tested in accordance with AG 103, NZS 5262 and have been certified by the Australian Gas Association for installation and operation as described in these Installation and Operating Instructions.

Your unit should be serviced annually by an authorised service person.

Masport®

Direct Vent Gas Fireplace

Models: HG35-NG
HG35-LPG



PLEASE KEEP THESE INSTRUCTIONS FOR FUTURE REFERENCE

WARNING:

Improper installation, adjustment, alteration, service or maintenance can cause injury or property damage. Refer to this manual. For assistance or additional information consult an authorised installer, service agency or the gas supplier.

FOR YOUR SAFETY

Do not store or use gasoline or other flammable vapours and liquids in the vicinity of this or any other appliance.

Installation and service must be performed by an authorised installer, service agency or the gas supplier.

FOR YOUR SAFETY

What to do if you smell gas:

- Do not try to light any appliance
- Do not touch any electrical switch: do not use any phone in your building.
- Immediately call your gas supplier from a neighbour's phone. Follow the gas supplier's instructions.
- If you cannot reach your gas supplier, call the fire department.

Head Office - New Zealand
1-37 Mt Wellington Hwy. Panmure,
P.O. Box 14349
Auckland 6.

Australia
P.O. Box 533
Braeside, Victoria, 3195

MASPORT

Direct Vent Freestanding Gas Stove

To the New Owner:

Congratulations!

You are the owner of a state-of-the-art Masport Gas Stove. The HG35 has been designed to provide you with all the warmth and charm of a wood fireplace. As it also bears our own mark, it promises to provide you with economy, comfort and security for many trouble free years to follow. Please take a moment now to acquaint yourself with these instructions and the many features of your Masport Stove. (A seismic restraint is required in New Zealand).

UNIT DIMENSIONS

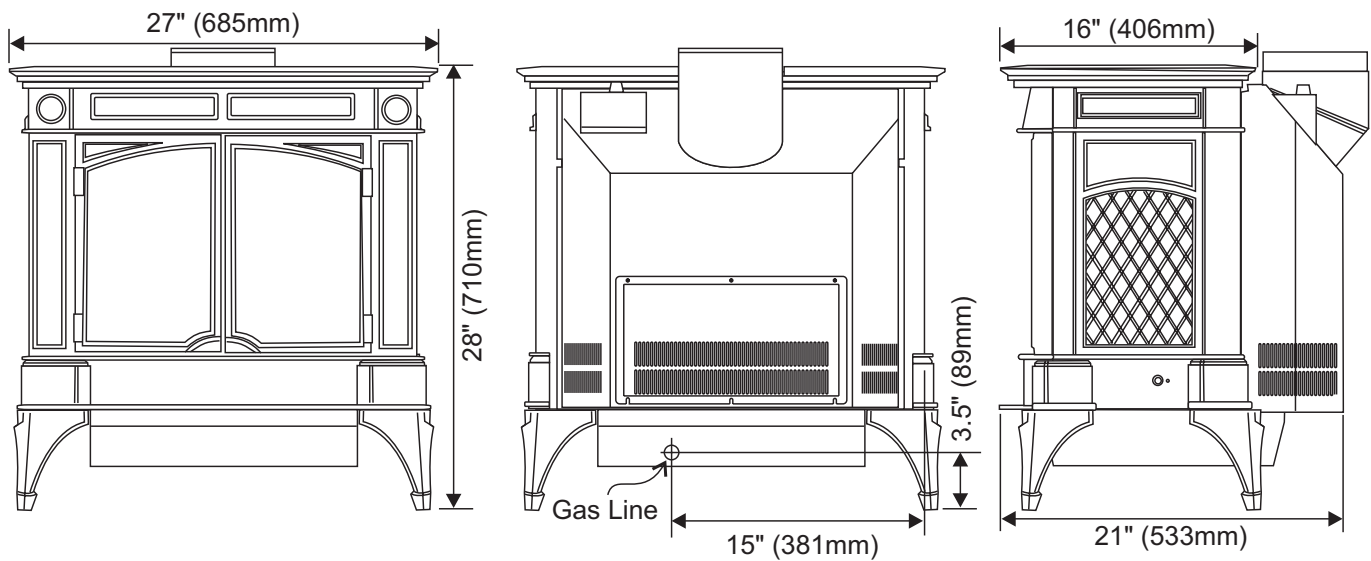


TABLE OF CONTENTS

	Page		Page
		Operating Instructions	
Safety Label		Operating Instructions	23
Safety Label	4	Lighting Instructions	23
Installation		Resetting the Unit	23
Specifications	5	Shutdown Instructions	23
Before You Start	5	First Fire	23
General Safety Information	6	Fan Operation	24
Installation Checklist	6	Adjusting Flame Height	24
Clearances to Combustibles	6	Final Check	24
Locating Your Gas Stove	7	Summary of Controls	24
Combustion and Ventilation Air	7	Pilot Adjustment	24
Flueing Introduction	8	Copy of Lighting Plate Instructions	25
Installation Precautions	8	Normal Operating Sounds of Gas Appliances	26
Safety Precautions for the Installer	8	Maintenance	
Flue Restrictor Position	8	Maintenance Instructions	26
Exterior Flue Terminal Locations	9	General Flue Maintenance	27
Rotating Elbow for Horizontal Terminations	10	Log Replacement	27
Flueing Arrangements - Horizontal Terminations	10	Glass Replacement	27
Flueing Arrangements - Vertical Terminations	10	Fan Maintenance	28
Gas Connection	11	Parts List	
System Data	11	Main Assembly	29
Aeration Adjustment	12	Burner & Log Assembly	31
Gas Pipe Pressure Testing	12	Warranty	
S.I.T. Valve Description	12	Warranty	35
Conversion from NG to LPG	13		
Conversion from NG to ULPG	15		
Conversion to Lower BTU	17		
Log Set Installation	18		
Optional Double Door Installation	20		
Decorative Door Grill Installation	20		
Tile Inset Installation	20		
Door Hinge Removal	21		
Wiring Diagram	22		
Remote Control Installation	23		

SAFETY LABEL

This is a copy of the label that accompanies each Masport Gas Fireplace. We have printed a copy of the contents here for your review.

NOTE: Masport units are constantly being improved. Check the label on the unit and if there is a difference, the label on the unit is the correct one.

Masport Gas Fireplace

Model	<input type="radio"/>	<input type="radio"/>	<input type="radio"/>
Gas Type	NG	LPG	ULPG
Model	HG35-NG	HG35-LPG	HG35-ULPG
Gas Consumption	34.7mj.	37.0mj.	30.6mj.
Manifold Pressure	0.95kPa	2.64kPa	2.64kPa
Injector Size	1x#33 2.87mm	1x#51 1.70mm	1x#52 1.61mm
AGA Approval number to			
Code AG103	6783	6783	6783

Distributed by:

Masport Pty. Ltd.
PO Box 533
Braeside, Victoria. 3195

Masport Ltd.
1-37 Mt. Wellington H/Way
Auckland 6
New Zealand

To be installed by an authorised person in accordance with installation instructions provided with the appliance

Electrical: 240VAC 50Hz 1.0 amp max.



Serial Number 282

918-366



- DO NOT** OPERATE THIS APPLIANCE BEFORE READING THE INSTRUCTIONS BOOKLET.
- DO NOT** PLACE ARTICLES ON OR AGAINST THIS APPLIANCE
- DO NOT** STORE CHEMICALS OR FLAMMABLE MATERIALS, OR SPRAY AEROSOLS NEAR THIS APPLIANCE.
- DO NOT** OPERATE WITH PANELS, COVERS OR GUARDS REMOVED FROM THIS APPLIANCE.
- DO NOT** ENCLOSE THIS APPLIANCE.

908-602

THE GUARD IS FITTED TO THIS APPLIANCE TO REDUCE THE RISK OR FIRE OR INJURY FROM BURNS AND NO PART OF IT SHOULD BE PERMANENTLY REMOVED.



FOR PROTECTION OF YOUNG CHILDREN OR THE INFIRM, A SECONDARY GUARD IS REQUIRED.

(Australia Only)

IMPORTANT: SAVE THESE INSTRUCTIONS

The Direct Vent Freestanding Gas Stove must be installed in accordance with these instructions. Carefully read all the instructions in this manual first. Consult the building authority having jurisdiction to determine the need for a permit prior to starting the installation.

Note: Failure to follow the instructions could cause a malfunction of the heater which could result in death, serious bodily injury, and/or property damage. Failure to follow these instructions may also void your fire insurance and/or warranty.

SPECIFICATIONS

Fuels: HG35-NG is approved for use with natural gas.

HG35-LPG is approved for use with liquefied petroleum gases (LPG).

HG35-ULPG is approved for use with a propane butane mixture (ULPG).

Electrical: 240V A.C. system.

Circulation Fan: Two Speed, 125/75.

Log Sets: Ceramic fibre, 7 per set.

BEFORE YOU START

The HG35 gas stove must be installed in accordance with these instructions. Carefully read all the instructions in this manual first. Consult the authority having jurisdiction if you require a permit.

INSTALLATION AND REPAIRS SHOULD BE DONE BY A QUALIFIED SERVICE PERSON. THIS APPLIANCE SHOULD BE INSTALLED, REPAIRED, INSPECTED BEFORE USE AND AT LEAST ANNUALLY BY A QUALIFIED SERVICE PERSON. MORE FREQUENT CLEANING MAY BE REQUIRED DUE TO EXCESSIVE LINT FROM CARPETING, ETC. IT IS IMPERATIVE THAT THE CONTROL COMPARTMENT, BURNERS AND CIRCULATING AIR PASSAGEWAYS OF THE APPLIANCE BE KEPT CLEAN.

DUE TO HIGH TEMPERATURES, THE APPLIANCE SHOULD BE LOCATED OUT OF TRAFFIC AND AWAY FROM FURNITURE AND DRAPERIES.

WARNING: FAILURE TO INSTALL THIS APPLIANCE CORRECTLY WILL VOID YOUR WARRANTY AND MAY CAUSE A SERIOUS HOUSE FIRE.

CHILDREN AND ADULTS SHOULD BE ALERTED TO THE HAZARDS OF HIGH SURFACE TEMPERATURES, ESPECIALLY THE FIRE-PLACE GLASS, AND SHOULD STAY AWAY TO AVOID BURNS OR CLOTHING IGNITION.

YOUNG CHILDREN SHOULD BE CAREFULLY SUPERVISED WHEN THEY ARE IN THE SAME ROOM AS THE APPLIANCE.

CLOTHING OR OTHER FLAMMABLE MATERIAL SHOULD NOT BE PLACED ON OR NEAR THE APPLIANCE.

- 1) Provide adequate clearances for servicing, proper operation and around the air openings into the combustion chamber.
- 2) The appliance must be installed on a flat, solid, continuous surface (e.g. wood, metal, concrete). This may be the floor, or it can be raised up on a platform to enhance its visual impact. The appliance may be installed on carpeting, tile, wood flooring or other combustible material, because the appliance's base extends the full width and depth of the appliance. The Direct Vent Freestanding Gas Stove can be installed in a wide variety of ways and will fit nearly any room layout. It may be installed in a recessed position, framed out into the room, or across a corner.
- 3) The Direct Vent Freestanding Gas Stove is approved for alcove installations, which meet the clearances listed on page 6. This unit is approved for manufactured home installations, see page 7 and pages 9 and 10.
- 4) This appliance is Listed for bedroom installations when used with a Listed Millivolt Thermostat. Some areas may have further requirements, check local codes before installation.
- 5) This appliance is Listed for Alcove installations, maintain minimum Alcove clearances as follows, minimum width of 40" (1016mm), a maximum depth of 36" (914mm), and minimum ceiling height of 64" (1626mm) from floor to ceiling.
- 6) We recommend that you plan your installation on paper using exact measurements for clearances and floor protection before actually installing this appliance. Have a qualified building inspector review your plans before installation.

INSTALLATION

GENERAL SAFETY INFORMATION

- 1) The appliance shall be installed in accordance with the manufacturer's installation instructions, local gas fitting regulations, municipal building codes, water supply regulations, electrical wiring regulations, with AG 601 (AGA gas installation code) NZS 5261 (New Zealand)
- 2) **Installation and repair should be done ONLY by an authorised person.**
- 3) **DO NOT CONNECT TO MASONARY FLUE.**
- 4) **This appliance must be connected to the specified flue and termination cap to the outside of the building envelope. Never flue to another room or inside a building. Make sure that the flue is fitted as per Flueing instructions.**
- 5) Inspect the flueing system annually for blockage and any signs of deterioration.
- 6) Flueing terminals shall not be recessed into a wall or siding.
- 7) Any safety glass removed for servicing must be replaced prior to operating the appliance.
- 8) To prevent injury, do not allow anyone who is unfamiliar with the operation to use the fireplace.
- 9) Wear gloves and safety glasses for protection while doing required maintenance.
- 10) Be aware of electrical wiring locations in walls and ceilings when cutting holes for termination.
- 11) Under no circumstances should this appliance be modified. Parts that have to be removed for servicing should be replaced prior to operating this appliance.
- 12) Installation and any repairs to this appliance should be done by an authorised service person. An authorised service person should be called to inspect this appliance annually. Make it a practice to have all of your gas appliances checked annually.
- 13) Do not slam shut or strike the glass door.
- 14) Under no circumstances should any solid fuels (wood, paper, cardboard, coal, etc.) be used in this appliance.
- 15) The appliance area must be kept clear and free of combustible materials, (gases and other flammable vapours and liquids).

INSTALLATION CHECKLIST

- 1) Check Clearances to Combustibles, location of unit and flueing requirements.
- 2) Set flue restrictors, page 8.
- 3) Install flueing: Check all flueing requirements.
- 4) Make gas connections. Test the pilot. Must be as per diagram, page 32.
If converting to LPG, make changes prior see pages 21.
- 5) Test Gas Pressure, page 20.
- 6) Install logs and embers where indicated on page 26.
- 7) Install optional Remote Control, page 31.
- 8) Final check, page 32.

Before leaving this unit with the customer, the installer must ensure that the appliance is firing correctly and **operation fully explained to customer.**

This includes:

- 1) Clocking the appliance to ensure the correct firing rate (rate noted on label) after burning appliance for 15 minutes.
- 2) If required, adjusting the primary air to ensure that the flame does not carbon. First allow the unit to burn for 15-20 min. to stabilize.

CAUTION: Any alteration to the product that causes sooting or carboning that results in damage is not the responsibility of the manufacturer.

CLEARANCES TO COMBUSTIBLES

The clearances listed are MINIMUM distances. Measure the clearance to both the appliance and the chimney connector. **The farthest distance is correct if the two clearances do not coincide.**

For example, if the appliance is set as indicated in one of the figures but the connector is too close, move the stove until the correct clearance to the connector is obtained.

This appliance may be installed only with the clearances as shown in the situations pictured. **Do not combine clearances from one type of installation with another in order to achieve closer clearances.**

This unit can be installed on a solid combustible surface like a wood floor. This unit can also be installed directly on carpeting or vinyl.

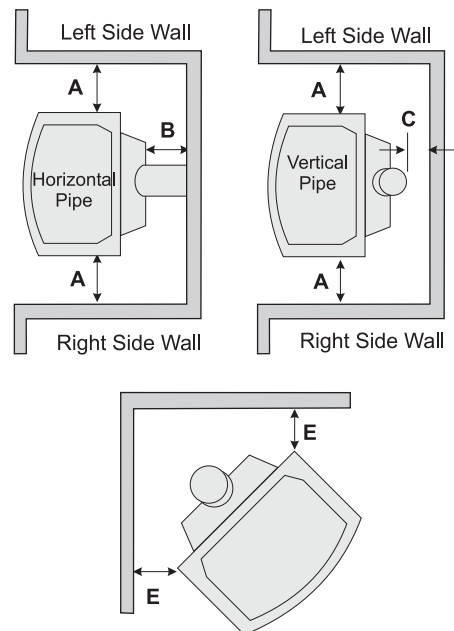
Use the minimum clearances shown in the diagrams below:

HG35-NG, HG35-LPG

& HG35-ULPG Clearances

A Side Wall to Unit	6-1/2" / 165 mm
B Back Wall to Unit	6" / 152 mm
C Vertical Flue Pipe to Back Wall	2" / 50 mm
E Unit Corner to Wall	2" / 50 mm
Unit Top to Alcove Ceiling	36" / 914 mm

Minimum ceiling height is 36" / 914 mm from top of unit.

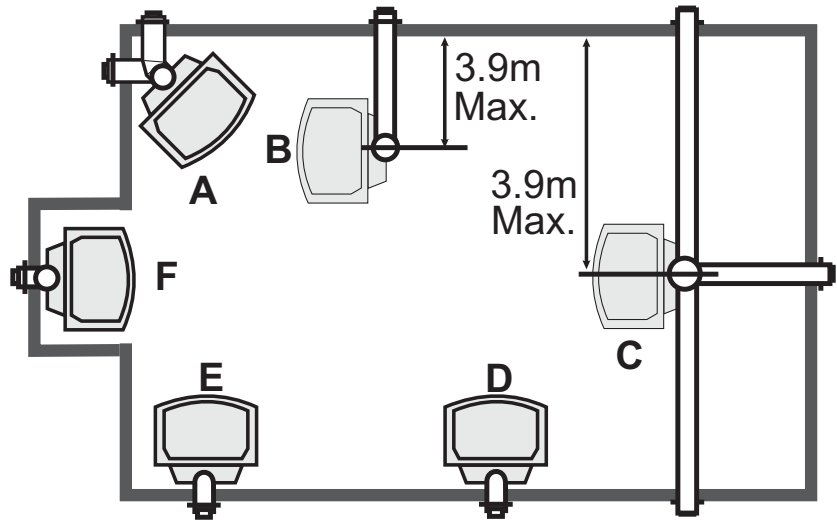


LOCATING YOUR GAS STOVE

When selecting a location for your stove, ensure that the clearances listed above are met as well as ensuring that there is adequate accessibility for servicing and proper operation.

- A) Cross Corner
- B) Room Divider
- C) Island
- D) Flat on Wall
- E) Flat on Wall Corner
- F) Flush with Wall/Alcove

For Flue Termination requirements, see page 9.



COMBUSTION AND VENTILATION AIR

The combustion air from this appliance is drawn from outside the building through the outer flue. **Extra provision for combustion air inside the room is not required.**

INSTALLATION

FLUEING INTRODUCTION

The Horizontal Termination Kit and the Simpson Dura-Vent Direct Vent System Model DV-GS venting systems, in combination with the Direct Vent Freestanding Gas Stoves, HG35-NG, HG35-LPG, and HG35-ULPG have been tested and listed as direct flue heater systems by AGA.

These units use the "balanced flue" technology Co-Axial system. The inner liner flues products of combustion to the outside while the outer pipe draws outside combustion air into the combustion chamber thereby eliminating the need to use heated room air for combustion and losing warm room air up the chimney.

Note: These flue pipes must not be connected to any other appliance.

The gas appliance and flue system must be flued directly to the outside of the building, and never be attached to a chimney serving a separate solid fuel or gas burning appliance. Each direct vent gas appliance must use its own separate flue system. Common flue systems are prohibited.

IMPORTANT

Read all instructions carefully before starting the installation. Failure to follow these instructions may create a fire or other safety hazard, and will void the warranty. Be sure to check the flueing and clearance to combustible requirements. Consult your local building codes before beginning installation.

The location of the termination cap must conform to the requirements in the Exterior Flue Terminal Locations on page 9.

INSTALLATION PRECAUTIONS

These flueing systems are engineered products that have been designed and tested for use with the HG35-NG, HG35-LPG, and HG35-ULPG. The warranty will be voided and serious fire, health or other safety hazards may result from any of the following actions:

- 1) Installation of any damaged Direct Vent component
- 2) Unauthorized modification of the Direct Vent System
- 3) Installation of any component part not manufactured or approved by Masport.
- 4) Installation other than as instructed by Masport.

Warning: Always maintain required clearances (air spaces) to nearby combustibles to prevent a fire hazard. Do not fill air spaces with insulation.

Be sure to check the flue termination clearance requirements from decks, windows, soffits, gas regulators, air supply inlets and public walkways as specified in the Exterior Flue Terminal Locations on page 9 and in your local building codes.

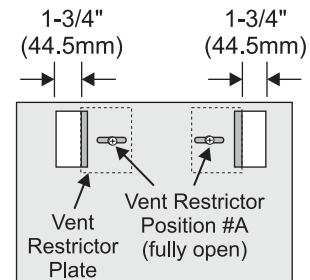
The gas appliance and flue system must be flued directly to the outside of the building, and never be attached to a chimney serving a separate solid fuel or gas-burning appliance. Each direct vent gas appliance must use its own separate flue system. Common flue systems are prohibited.

SAFETY PRECAUTIONS FOR THE INSTALLER

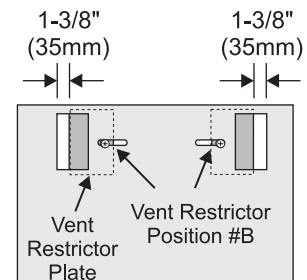
- 1) Wear gloves and safety glasses for protection.
- 2) Exercise extreme caution when using ladders or on roof tops.
- 3) Be aware of electrical wiring locations in walls and ceilings.

FLUE RESTRICTOR POSITION

To set the Flue restriction as indicated in the Flueing Arrangement diagrams on page 10, simply loosen the screws and push the flue restrictor plate to the correct position. Tighten the screws.

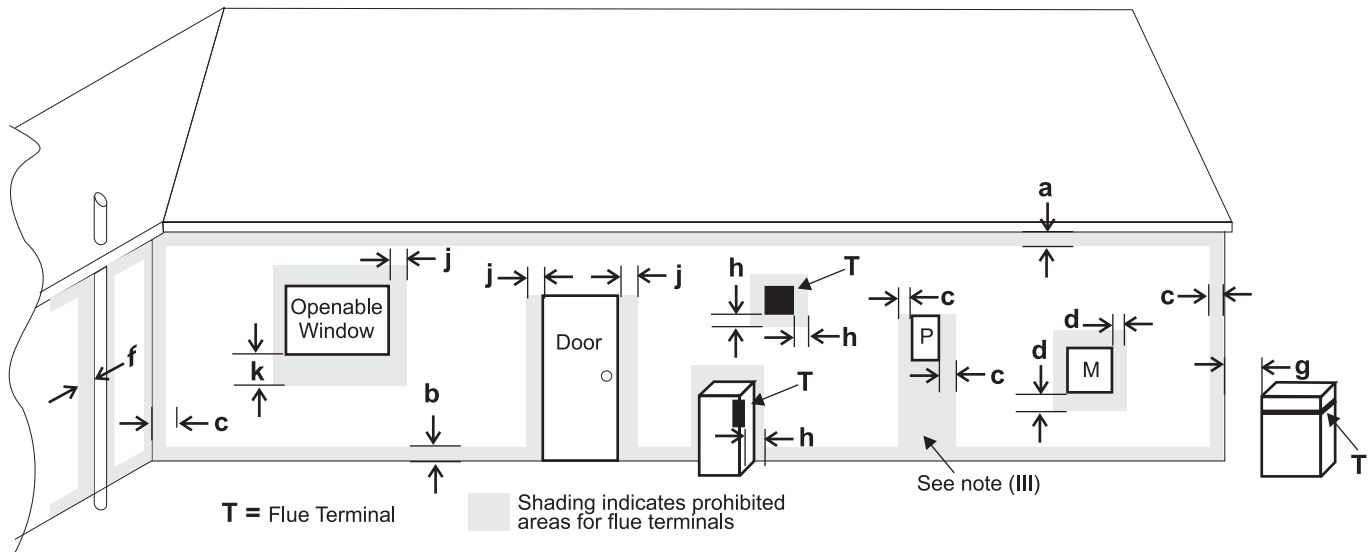


*Horizontal Termination:
Flue Restrictor setting at 36,000 Btu/h*



*Vertical Termination:
Flue Restrictor setting at 36,000 Btu/h*

EXTERIOR FLUE TERMINAL LOCATIONS



Minimum clearances required for balanced flue terminals or the flue terminals of outdoor appliances according to AG 601 (AGA gas installation code) or NZS 5261 (New Zealand)

	Minimum Clearance (mm)
a Below eaves, balconies or other projections:	
- Appliances up to 50 MJ/h input	300
- Appliances over 50 MJ/h input	500
b From the ground or above a balcony	300
c From a return wall or external corner	500
d From a gas meter (M)	1000
e From an electricity meter or fuse box (P)	500
f From a drain or soil pipe	150
g Horizontal from any building structure (unless appliance is approved for closer installation) or obstruction facing a terminal	500
h From any other flue terminal, cowl or combustion air intake	500
j Horizontally from an openable window, door, or non-mechanical air inlet, or any other opening into a building, with the exception of sub-floor ventilation (see also Note (I)):	
- Appliances up to 150 MJ/h input	500
- Appliances over 150 MJ/h input	1500
k Vertically below an openable window, door, or non-mechanical air inlet, or any other opening into a building, with the exception of sub-floor ventilation (see also Note (I)): see table below	

Clearance 'k' in mm			
Space Heaters	All Other Appliances		
Up to 50 MJ/h input	Up to 50 MJ/h input	Over 50 MJ/h input to 150 MJ/h input	Over 150 MJ/h input
150	500	1000	1500

NOTES:

- (I) For mechanical air inlets, including spa blowers, the clearance 'j' and 'k' shall be 1500 mm in all cases.
- (II) All distances shall be measured vertically or horizontally along the wall to a point in line with the nearest part of the terminal.
- (III) Prohibited area below electricity meter or fuse box extends to ground level.
- (IV) A flue terminal of this type shall not be located under a roofed area unless the roofed area is fully open on at least two sides and a free flow of air at the appliance is achieved.

INSTALLATION

ROTATING 45° ELBOW FOR STRAIGHT HORIZONTAL TERMINATIONS

1) Remove all 4 screws that secure the elbow to the unit using a 1/4" magnetic nut driver.



Remove all 4 screws and washers

2) Rotate the elbow 180°

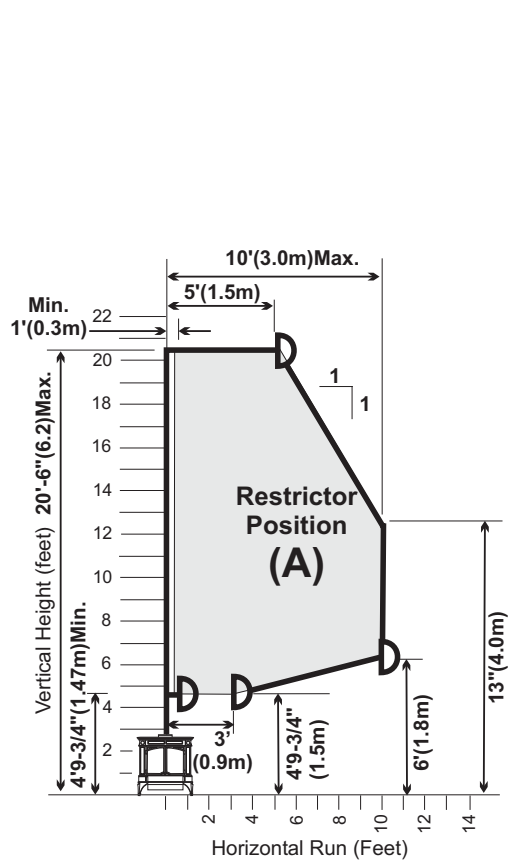


3) Secure the elbow by securing it with the 4 screws.

FLUEING ARRANGEMENTS

Horizontal Terminations for All Flueing Systems

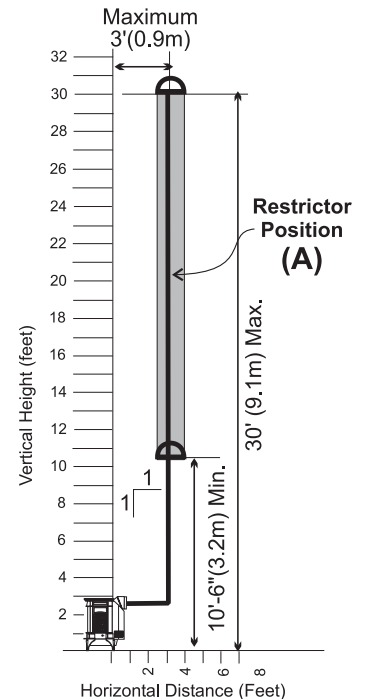
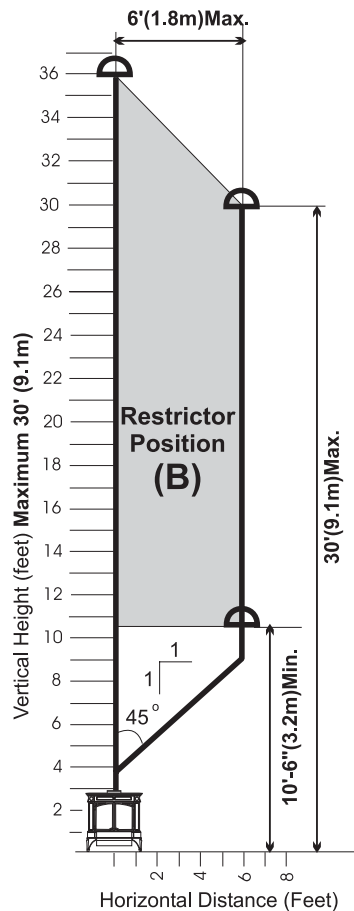
The shaded areas in the diagram below show all allowable combinations of vertical runs with horizontal terminations. Maximum one 90° elbow (two 45° elbows equal one 90° elbow).



Vertical Terminations

The shaded area in the diagram below shows all allowable combinations of straight vertical and offset to vertical runs with vertical terminations. Maximum two 45° elbows.

Offset to Vertical Terminations



Flueing Arrangements - Riser Flue Termination

Refer to instructions with Masport DV Rear Exit Flue Kit.

Riser Terminations:

For installations requiring a vertical rise on the exterior of the building, Riser Flue Terminations as shown in Diagram below is available. Follow the same installation procedures as used for standard Horizontal Termination.

NEVER install the Riser flue upside down.

NOTE:

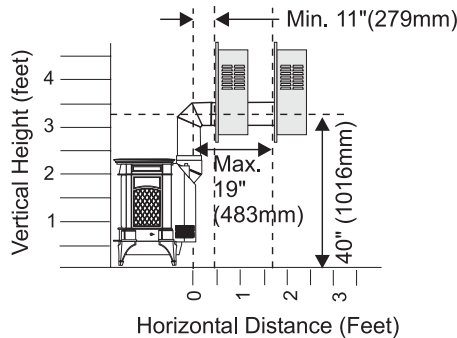
For Riser terminations in ABOVE grade installations, follow national or local code requirements.

Below Grade Riser Installation

If the Riser Termination must be installed below grade, i.e. basement application, proper drainage must be provided to prevent water from entering the Riser Termination. Do not attempt to enclose the Riser within the wall, or any other type of enclosure.

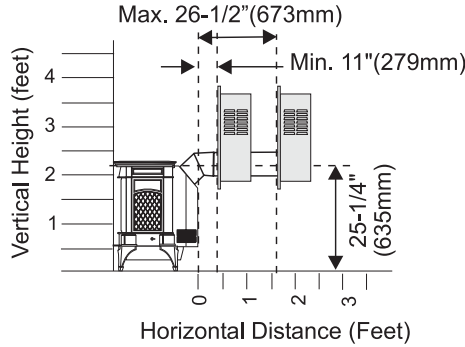
NOTE:

All joints shall be sealed with Mill-Pac.

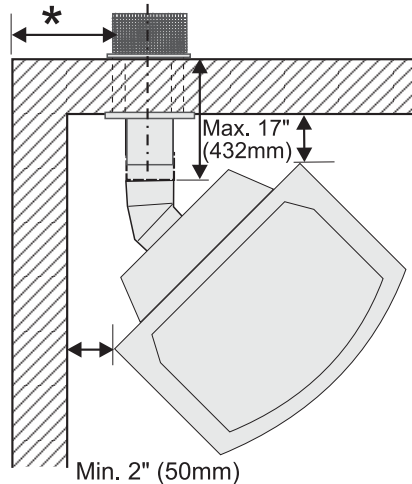


Restrictor Position 'A'
Riser Flue Termination

Flueing Arrangements - Straight Horizontal Termination at a De-Rated BTU



Restrictor Position 'A'
Riser Flue Termination



*If this is an outside corner, the minimum distance between the flue and the outside corner is 6" (15cm). See "F" on the diagram on page 9.

GAS CONNECTION

The gas line should be rigid pipe. Copper may also be used if approved by AG 601.

The gas connection at the valve is 1/2 male. For minimum and maximum supply pressure see the System Data Table.

SYSTEM DATA	
For 0 to 4500 feet altitude	
Natural Gas	
Max. Input Rating	34.7 mj.
Min. Input Rating	18 mj.
Orifice Size	#33 DMS
Convertible to:	
Max. Input Rating	31.6 mj.
Min. Input Rating	15 mj.
Orifice Size	#37 DMS
LPG	
Max. Input Rating	37 mj.
Min. Input Rating	20 mj.
Orifice Size	#51 DMS
Convertible to:	
Max. Input Rating	30.6 mj.
Min. Input Rating	16.8 mj.
Orifice Size	#52 DMS
ULPG	
Max. Input	30.6 mj.
Min. Input	16.8 mj.
Orifice Size	#52 DMS
Supply Pressure	
Natural Gas	min. 1.13 kPa
LPG & ULPG	min. 2.75 kPa
Manifold Pressure	
Natural Gas	0.95 kPa
LPG & ULPG	2.64 kPa

INSTALLATION

AERATION ADJUSTMENT

The burner aeration is factory set but may need adjusting due to either the local gas supply, air supply or altitude.

Natural Gas	Fully Open
LPG	Fully Open
ULPG	Fully Open

Caution: Carbon will be produced if the air shutter is closed too much.

Note: Any damage due to carboning resulting from improperly setting the aeration controls is NOT covered under warranty.

Note: Aeration Adjustment should only be performed by an authorized Masport Installer at the time of installation or service.

GAS PIPE PRESSURE TESTING

The appliance must be isolated from the gas supply piping system by closing its individual manual shut-off valve during any pressure testing of the gas supply piping system at test pressures equal to or less than 1/2 psig. (3.45 kPa). Disconnect piping from valve at pressures over 1/2 psig.

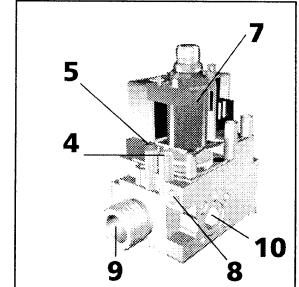
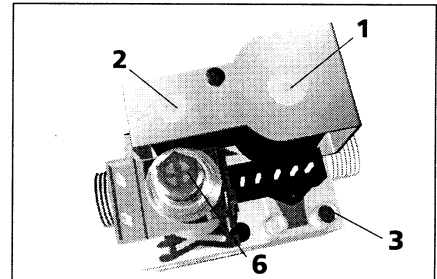
The manifold pressure is controlled by a regulator built into the gas control, and should be checked at the pressure test point.

Note: To properly check gas pressure, both inlet and manifold pressures should be checked using the valve pressure ports on the valve.

- 1) Make sure the valve is in the "OFF" position.
- 2) Loosen the "IN" and/or "OUT" pressure tap(s), turning counterclockwise with a 1/8" wide flat screwdriver.
- 3) Attach manometer to "IN" and/or "OUT" pressure tap(s) using a 5/16" ID hose.
- 4) Light the pilot and turn the valve to "ON" position. Read manometer.
- 5) The pressure check should be carried out with the unit burning and the setting should be within the limits specified on the safety label.
- 6) When finished reading manometer, turn off the gas valve, disconnect the hose and tighten the screw (clockwise) with a 1/8" flat screwdriver. **Note: Screw should be snug, but do not over tighten**

S.I.T. VALVE DESCRIPTION

- 1) On-Off Solenoid Valve EV1
- 2) On-Off Solenoid Valve EV2
- 3) Inlet Pressure Test Point
- 4) Outlet Pressure Test Point
- 5) Connection for Pressure Regulator/Combustion Chamber Compensation
- 6) Pressure Regulator for Minimum and Maximum Outlet Pressure
- 7) Gas Outlet Pressure Electric Modulator
- 8) Pilot Outlet
- 9) Main Gas Outlet
- 10) Side Outlet



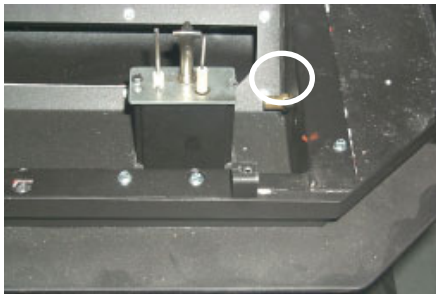
CONVERSION FROM NG TO LPG

THIS CONVERSION MUST BE DONE BY A QUALIFIED GAS FITTER IF IN DOUBT DO NOT DO THIS CONVERSION !!

Conversion Kit 746-969 Contains:

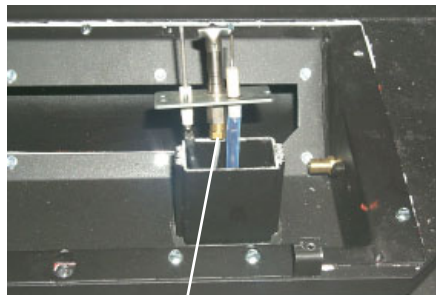
Qty.	Part #	Description
1	904-645	Burner Orifice #51
1	908-528	Red "LPG" label
2	908-255	Decal Valve Conversion to LP
1	918-392	Instruction Sheet Conversion LPHG35
1	910-920	Orifice Lp #14 (PSE-727)
1	910-432	Tube Aluminum 1/8x24 w/Fittings Sit

- 1) Shut off the gas supply and unplug the power cord.
- 2) Remove the Cast Top, Glass Front, Logs and Lava Rock.
- 3) Remove burner.
- 4) Remove burner orifice with a 1/2" wrench and discard. Use a wrench to hold on to the elbow behind the orifice.
- 5) Reinstall new burner orifice LPG stamped #51 and tighten.



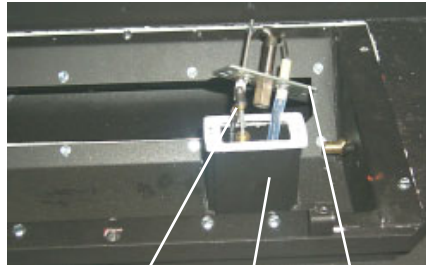
Burner Orifice

- 6) Remove the 2 screws which hold the pilot assembly.



Pilot Tube

- 7) Lift the pilot assembly and remove the pilot tube using an 11mm wrench.
- 15) Remove the jumper using a plier.

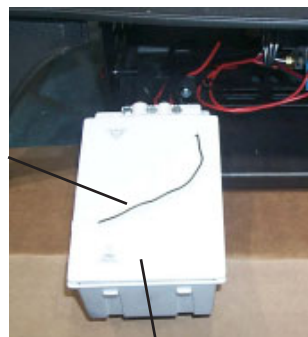


Pilot Orifice Pilot Extrusion Tube Pilot Assembly

- 8) Remove the NG orifice and replace it with the LPG orifice.
- 9) Install the pilot tube to the pilot assembly.
- 10) Place the pilot assembly over the pilot extrusion tube and secure it with 2 screws.
- 11) Adjust the burner aeration setting to 8 mm and install the burner.
- 12) Open the bottom door.
- 13) Carefully pull out the control box.

Note: The control box is held in place by velcro.

- 14) Remove the control box cover by undoing the 3 screws. Maneuver through antenna.

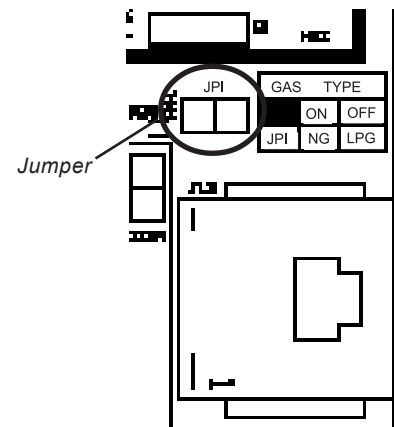


Antenna

Control Box Cover



Jumper Location



- 16) Stick the conversion label "This unit has been converted to LPG" over top of the serial number decal.
- 17) Replace the yellow "NG" label with the red "LPG" label.
- 18) Reverse steps 14 and 13.

INSTALLATION

19) Turn on the gas supply and plug in the power cord.

20) Adjusting the Outlet Pressure

All the adjustments must be carried out in the following order:

Remove the modulator plastic cap (A) using needle nose pliers.

Maximum pressure: Turn the unit ON to its highest input rating. Screw in the nut (B) to increase the outlet pressure and screw it out to decrease it. Use a 10 mm wrench.

NOTE: The outlet pressure must be set to maximum 2.64 kPa.

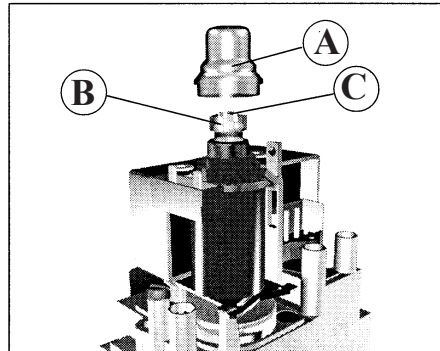
Minimum pressure: Remove one of the cables connected to the electric modulator. Keeping the nut (B) blocked, screw in the screw (C) to increase the pressure and screw it out to decrease it. Use a screwdriver 6 x 1 blade.

NOTE: The outlet pressure must be set to minimum 0.74 kPa.

After carrying out all adjustments, block the setting screws with paint, taking care not to obstruct the breather orifice of the pressure.

Put back the modulator plastic cap.

WARNING: To ensure the correct operation of the modulator it is necessary that the plastic cap (A) is returned to its original location.



21) At the end of all setting and adjustment operations, check electrical insulation and gas leaks.

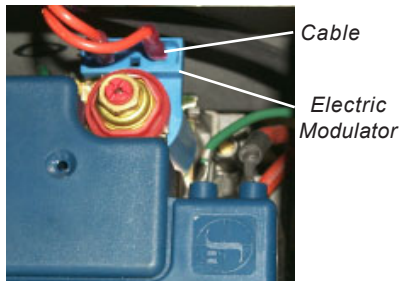
22) Close the bottom door, place the logs and lava rocks back into position, install the glass front and put in the cast top back in position.

23) Check operation of fan and flame control.

24) Check for proper flame appearance and glow on logs.

Installer Notice:

These instructions must be left with the appliance.



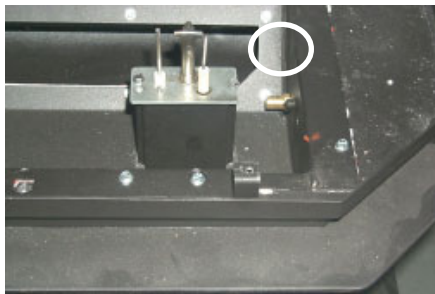
CONVERSION FROM NG TO ULPG

THIS CONVERSION MUST BE DONE BY A QUALIFIED GAS FITTER IF IN DOUBT DO NOT DO THIS CONVERSION !!

Conversion Kit 746-967 Contains:

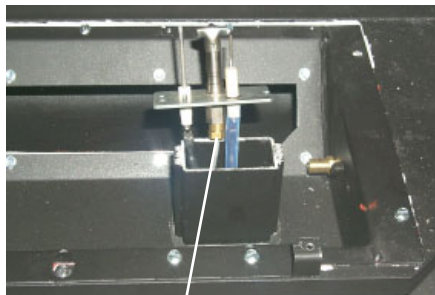
Qty.	Part #	Description
1	904-390	Burner Orifice #52
1	918-273	Red "ULPG" label
2	918-272	Decal Unit Label Conversion to ULPG
1	918-397	Instruction Sheet Conversion ULPG HG35
1	910-920	Orifice Lp #14 (PSE-727)
1	910-432	Tube Aluminum 1/8x24 w/Fittings Sit

- 1) Shut off the gas supply and unplug the power cord.
- 2) Remove the Cast Top, Glass Front, Logs and Lava Rock.
- 3) Remove burner.
- 4) Remove burner orifice with a 1/2" wrench and discard. Use a wrench to hold on to the elbow behind the orifice.
- 5) Reinstall new burner orifice ULPG stamped #52 and tighten.



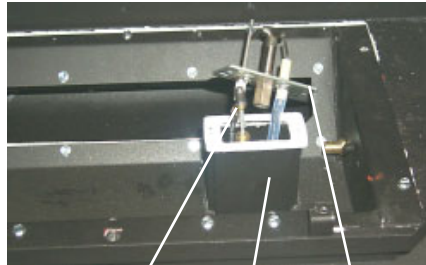
Burner Orifice

- 6) Remove the 2 screws which hold the pilot assembly.



Pilot Tube

- 7) Lift the pilot assembly and remove the pilot tube using an 11mm wrench.
- 15) Remove the jumper using a plier.

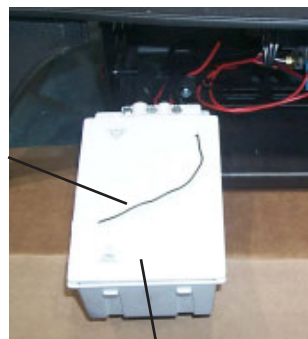


Pilot Orifice Pilot Extrusion Tube Pilot Assembly

- 8) Remove the NG orifice and replace it with the ULPG orifice.
- 9) Install the pilot tube to the pilot assembly.
- 10) Place the pilot assembly over the pilot extrusion tube and secure it with 2 screws.
- 11) Adjust the burner aeration setting to fully open and install the burner.
- 12) Open the bottom door.
- 13) Carefully pull out the control box.

Note: The control box is held in place by velcro.

- 14) Remove the control box cover by undoing the 3 screws. Maneuver through antenna.

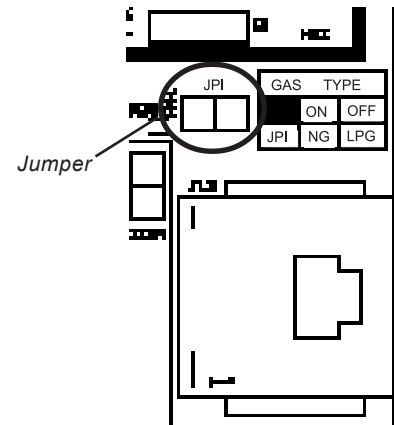


Antenna

Control Box Cover



Jumper Location



- 16) Stick the conversion label "This unit has been converted to ULPG" over top of the serial number decal.
- 17) Replace the yellow "NG" label with the red "ULPG" label.
- 18) Reverse steps 14 and 13.

INSTALLATION

19) Turn on the gas supply and plug in the power cord.

20) Adjusting the Outlet Pressure

All the adjustments must be carried out in the following order:

Remove the modulator plastic cap (A) using needle nose pliers.

Maximum pressure: Turn the unit ON to its highest input rating. Screw in the nut (B) to increase the outlet pressure and screw it out to decrease it. Use a 10 mm wrench.

NOTE: The outlet pressure must be set to maximum 2.64 kPa.

Minimum pressure: Remove one of the cables connected to the electric modulator. Keeping the nut (B) blocked, screw in the screw (C) to increase the pressure and screw it out to decrease it. Use a screwdriver 6 x 1 blade.

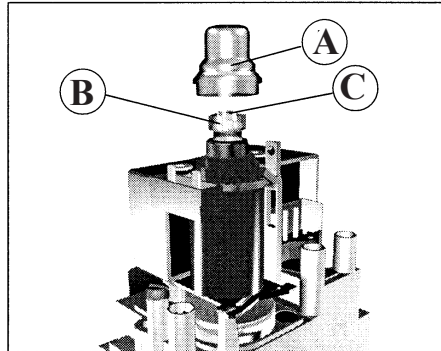
NOTE: The outlet pressure must be set to minimum 0.74 kPa.



After carrying out all adjustments, block the setting screws with paint, taking care not to obstruct the breather orifice of the pressure.

Put back the modulator plastic cap.

WARNING: To ensure the correct operation of the modulator it is necessary that the plastic cap (A) is returned to its original location.



21) At the end of all setting and adjustment operations, check electrical insulation and gas leaks.

22) Close the bottom door, place the logs and lava rocks back into position, install the glass front and put in the cast top back in position.

23) Check operation of fan and flame control.

24) Check for proper flame appearance and glow on logs.

Installer Notice:
These instructions must be left with the appliance.

Conversion Kit to Lower Btu Rating NG - Kit #: 740-950 LPG - Kit # 740-952

**THIS CONVERSION MUST BE DONE BY A QUALIFIED GAS FITTER
IF IN DOUBT DO NOT DO THIS CONVERSION !!**

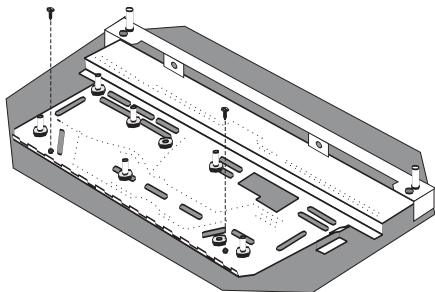
NG Conversion Kit 740-950 Contains:

Qty.	Part #	Description
1	904-240	Burner Orifice #37 (NG)
1	918-034	Decal "Converted to 31.6 mj."
1	918-148	Instruction Sheet

LPG Conversion Kit 740-952 Contains:

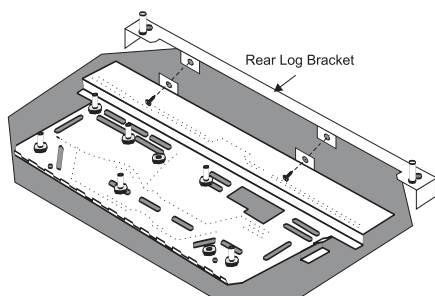
Qty.	Part #	Description
1	904-390	Burner Orifice #52 (LPG)
1	918-149	Decal "Converted to 30.6 mj."
1	918-148	Instruction Sheet

- 1) Shut off the gas supply.
- 2) Open the front door. Carefully remove the logs and lava rock. (Refer to manual for more detailed instructions.)
- 3) Remove burner by removing 2 screws, sliding the burner to the left and lift out. See diagram below.

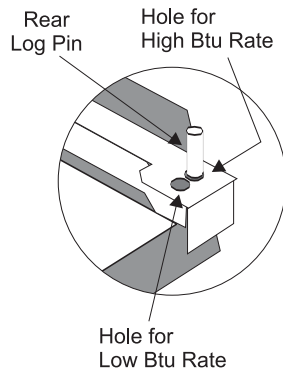


Note: Use a magnetic type screwdriver if possible.

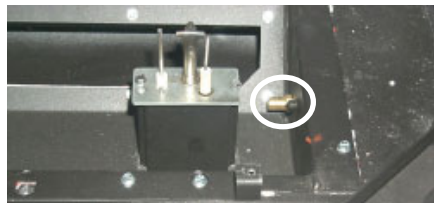
- 4) Remove Rear Log Bracket by removing 2 screws. See diagram below.



- 5) Unscrew the 2 Rear Log Pins and move to the front hole position.



- 6) Reinstall Rear Log Bracket.
- 7) Remove burner orifice with a 1/2" wrench and discard.

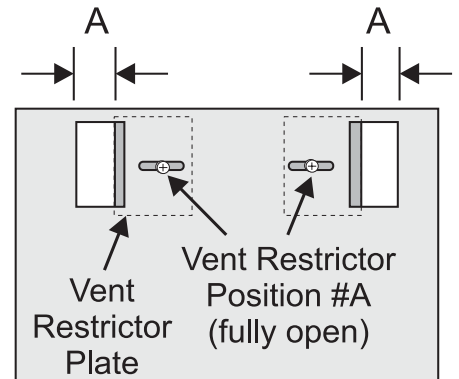


Burner Orifice

- 8) Reinstall new burner orifice (NG stamped #37 or LPG stamped #52) and tighten.
- 9) Reverse steps 3) and 2).

- 10) Adjust flue restrictor setting: To set the flue restriction as indicated in the diagram, simply loosen the screws and push the flue restrictor plate to the correct position. Tighten the screws.

Unit	mj	Restrictor Opening
HG35 NG	31.6	A 1-3/4" (45mm)
HG35 LPG	30.6	A 1-3/4" (45mm)



Flue Restrictor setting at Low Btu for Straight Horizontal Flueing

- 11) Attach the label "This unit has been converted to..." on top of the Serial # decal over the higher Btu information.
- 12) Check for gas leaks.
- 13) Check inlet and outlet pressures.
- 14) Check operation of flame control. Check for proper flame appearance and glow on logs.

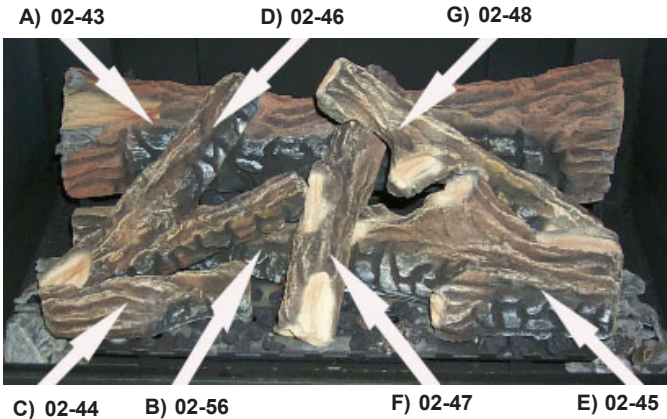
INSTALLATION

LOG SET INSTALLATION

Read the instructions below carefully and refer to the diagrams. If logs are broken do not use the unit until they are replaced. Broken logs can interfere with the pilot operation.

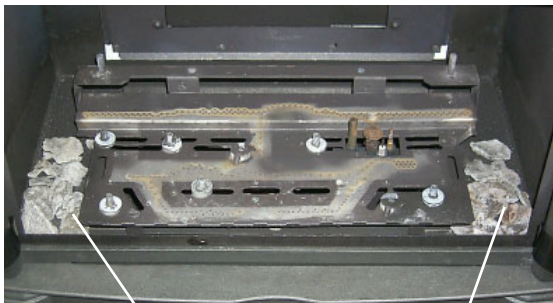
The gas log kit contains the following:

a)	02-43	Rear Log	902-227
b)	02-56	Middle Left Log	902-230
c)	02-44	Front Left Log	902-228
d)	02-46	Left Top Log	902-231
e)	02-45	Front Right Log	902-229
f)	02-47	Center Log	902-232
g)	02-48	Middle Right Log	902-226
h)		Embers	902-151
i)		Lava	902-154



The "02" refer numbers (i.e. 02-43) are molded into the rear of each log.

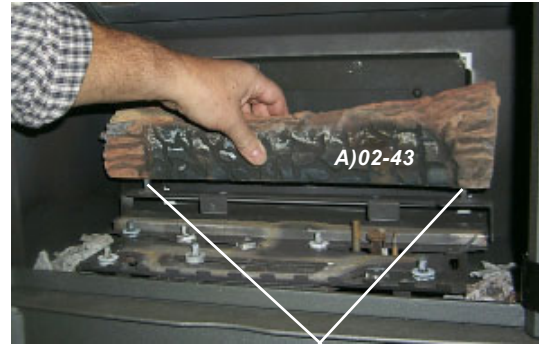
- 1) Carefully remove the logs from the box and unwrap them. The logs are fragile, handle with care - **do not force into position.**
- 2) Lift off the Cast Top and remove the glass front.
- 3) Sprinkle the embers on the left and right sides of the firebox base.



Embers

Embers

- 3) Place Rear Log A)02-43 on the two pins on the rear log support.



Pins on Rear Log Support

- 4) Place the Middle Left Log B)02-56 on the two pins as shown.



- 5) Sprinkle some lava rock just in front of B) 02-56 on the burner holes.



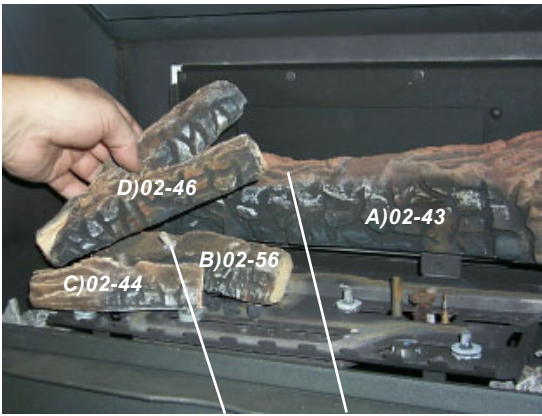
Lava Rock

- 6) Place Front Left Log C)02-44 onto the 2 front pins as shown.



INSTALLATION

- 7) Place the Left Top Log D)02-46 on the pin on Log B)02-56 and on top of the cutout on Log A)02-43.



Pin Cutout

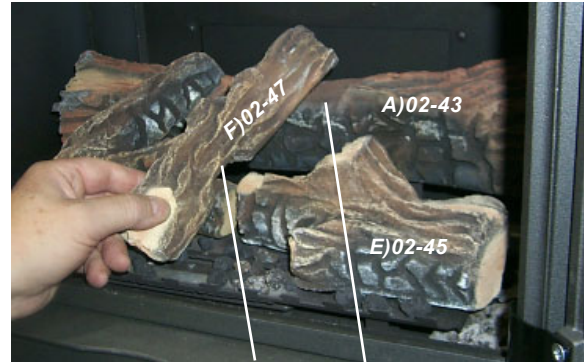
- 8) Place Front Right Log E)02-45 on the two pins as shown.



- 9) Place the lava rock in the area between the left and right logs, leaving a space in the middle for log (F) 02-47.

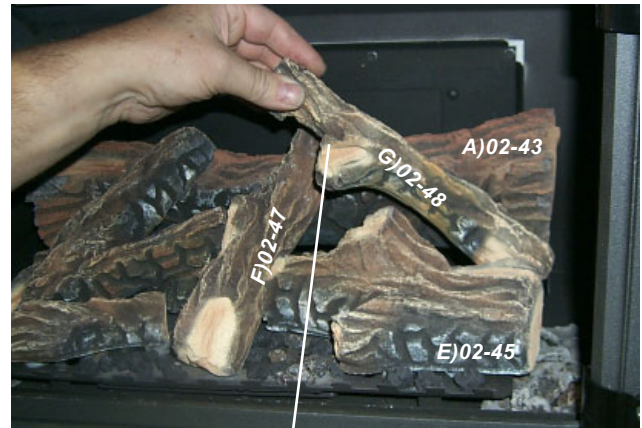


- 10) Place the notch in Center Log F)02-47 over Log E)02-45 and across the cutout on Log A)02-43.



Notch Cutout

- 11) Position notch in Front Right Log G)02-48 on Log F)02-47 and push the bottom right edge against the bracket on the burner tray.



Notch



Bracket

Side View

The bottom right edge of Log G)02-48 must sit snugly against the bracket. (Front Log 02-45 has been removed so that the bracket can be seen.)

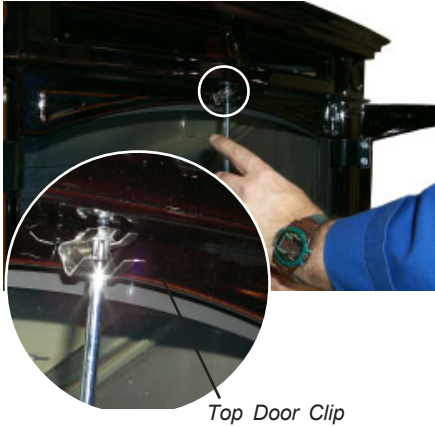
- 12) Test fire to ensure proper light off (make sure flame flows smoothly from one end of burner to the other. If there is any flame hesitation, check that area for any blockage of the burner port.

- 12) Test fire to ensure proper light off (make sure flame flows smoothly from one end of burner to the other. If there is any flame hesitation, check that area for any blockage of the burner port.

INSTALLATION

OPTIONAL DOUBLE DOOR INSTALLATION

- 1) Secure the Top Door Clip into the Top Front Casting.



- 2) Pull all four door hinges out from the sides of the Front Casting.



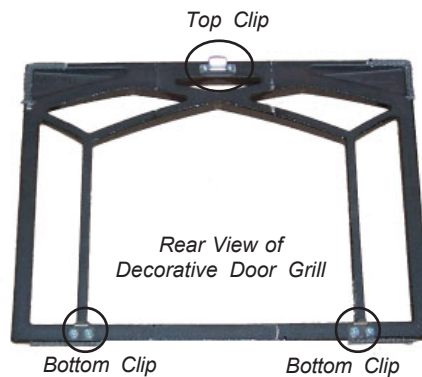
- 3) Fasten the Right Door to the 2 right hinges (2 screws per hinge).



Repeat for the Left Door.

DECORATIVE DOOR GRILL INSTALLATION

- 1) Hook the Top Clip on the Decorative Door Grill into the top lip of the Front Casting.
- 2) Lift the Decorative Door Grill slightly and drop the Bottom Clips into the bottom lip of the Front Casting.



TILE INSET INSTALLATION

Side Tile Inset

- 1) Slide the Standard Side Tile Inset out towards the back of the unit.



- 2) Slide the Optional Side Tile Inset into the side panel, over the spring clip.
- 3) Repeat for other side.

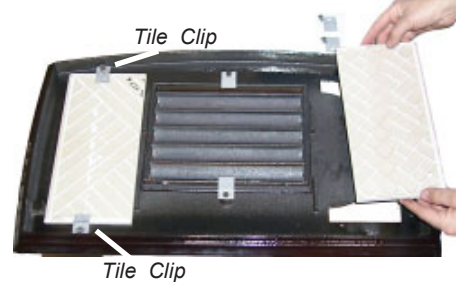
Top Tile Inset

- 1) Lift the Cast Top off the unit.

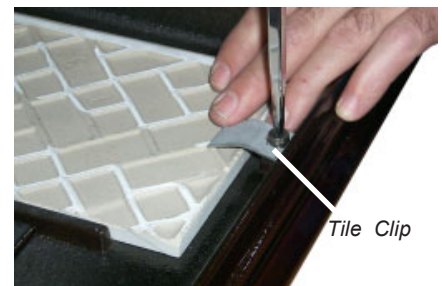


- 2) Place the Cast Top face down on a soft surface. Take care not to scratch the finish on the Top.

- 3) Remove the Tile Clips holding the Standard Tile Insets in place.



- 4) Place the Optional Tile Insets into position and secure with a top and bottom Tile Clip.



- 5) Replace the Cast Top on the unit.

DOOR HINGE REMOVAL

- 1) Remove the cast top by lifting it off of the stove.



- 2) Release the catches on the left and right side of the stove that secure the glass.



Release catch by pulling up.

- 3) Remove the glass by sliding it up and out.



- 4) Pull all four door hinges out from the sides of the front casting.



- 5) Use a 7/16" wrench to remove the screws that secure the door hinges.



Remove screws.

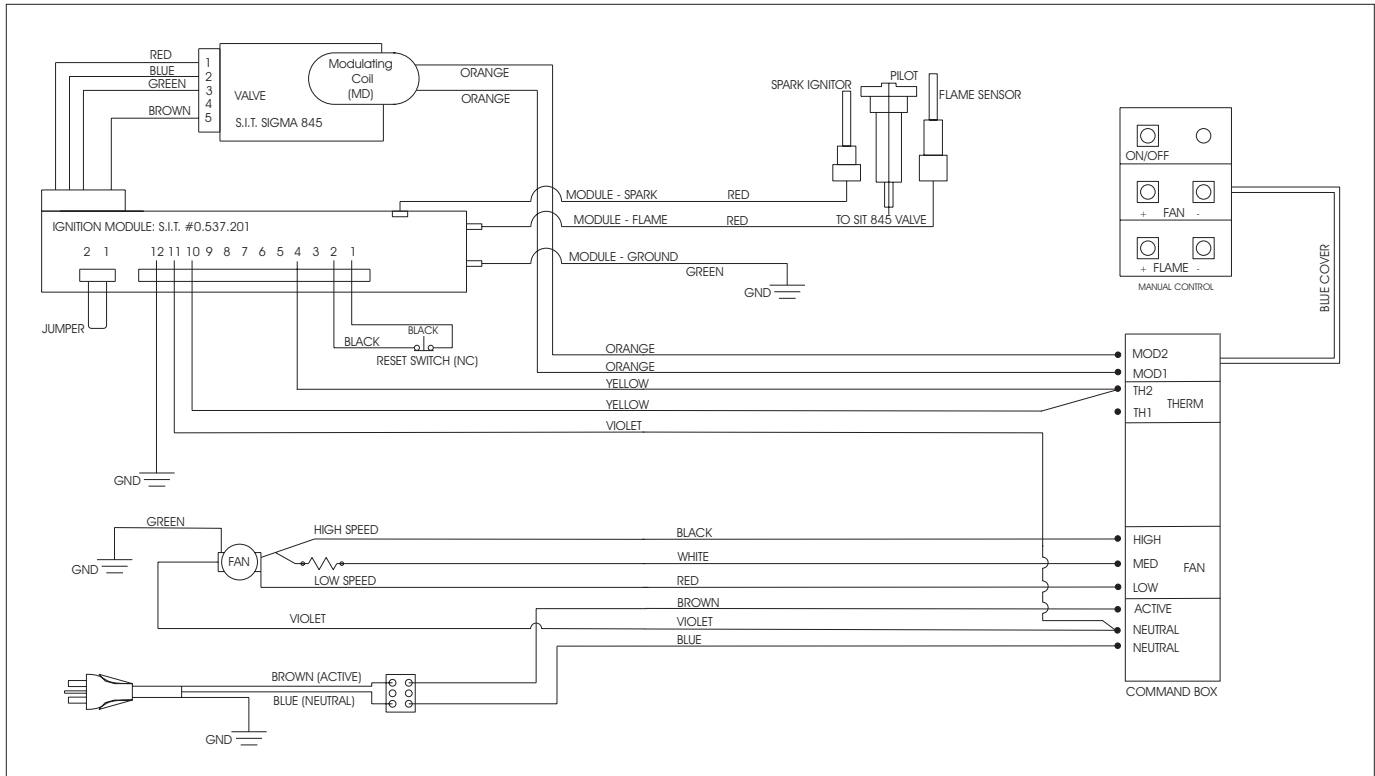
INSTALLATION

WIRING

This heater requires a 240V A.C. supply for the gas control to operate.

Caution: Ensure that the wires do not touch any hot surfaces and are away from sharp edges.

CAUTION: Label all wires prior to disconnection when servicing controls. Wiring errors can cause improper and dangerous operation.



WARNING: Electrical Grounding Instructions

This appliance is equipped with a three pronged (grounding) plug for your protection against shock hazard and should be plugged directly into a properly grounded three-prong receptacle. Do not cut or remove the grounding prong from this plug.

OPERATING INSTRUCTIONS

REMOTE CONTROL

Use the Masport Remote Control Kit approved for this unit. Use of other systems may void your warranty.

The remote control kit comes with a hand held transmitter and a wall mounting plate.

- 1) Choose a convenient location to mount the hand held transmitter, protection from extreme heat is very important.

The remote can also be used as a wall thermostat.



OPERATING INSTRUCTIONS

Before operating this appliance, proceed through the following check list.

- 1) Read and understand these Instructions before operating this appliance.
- 2) Check to see that all wiring is correct and enclosed to prevent possible shock.
- 3) Check to ensure there are no gas leaks.
- 4) Make sure the three pieces of door glass are properly positioned. Never operate the appliance with any of the glass removed or with the door open.
- 5) Verify that all flueing and the cap is unobstructed.
- 6) Verify log placement.

LIGHTING INSTRUCTIONS

- 1) Ensure polarity is correct from house socket.
- 2) Plug the power cord into a power outlet.
- 3) Press and release the ON/OFF button once to start the unit.
- 4) After approximately 3 seconds the spark ignition system will spark for 25 seconds to light the main burner.
- 5) If the main burner does not light, reset the unit.

RESETTING THE UNIT

- 1) Open the pedestal door on the unit.
- 2) Press the reset button for approximately 3 seconds and release. The reset button is located on the unit's control panel.
- 3) Wait for approximately 3 seconds and the pilot sparks can be heard and seen. It would take 2 to 3 seconds for the flame to be lit.

SHUTDOWN INSTRUCTIONS

- 1) Press the ON/OFF button once.
- 2) Turn off all electric power to the appliance if service is to be performed.

FIRST FIRE

The **FIRST FIRE** in your heater is part of the paint curing process. To ensure that the paint is properly cured, it is recommended that you burn your fireplace for at least four (4) hours the first time you use it with the fan on.

When first operated, the unit will release an odour caused by the curing of the paint and the burning off of any oils remaining from manufacturing. Smoke detectors in the house may go off at this time. Open a few windows to ventilate the room for a couple of hours. The glass may require cleaning.

NOTE: The main burner will always start on "HIGH" and resume it's last setting after 20 seconds of operation.

NOTE: When the glass is cold and the appliance is lit, it may cause condensation and fog the glass. This condensation is normal and will disappear in a few minutes as the glass heats up.

DONOTATTEMPTTOCLEANTHEGLASS WHILE IT IS STILL HOT!

DO NOT BURN THE APPLIANCE WITHOUT THE GLASS FRONT IN PLACE.

OPERATING INSTRUCTIONS

FAN OPERATION

The fan speed can be adjusted using the Control Panel located at the back of the unit on the top right hand side.

Pressing and releasing the plus (+) FAN button will change the fan speed as follows:

OFF -> LOW -> MEDIUM -> HIGH -> OFF, etc.

Pressing and releasing the minus (-) FAN button will be the reverse of the above.



ADJUSTING FLAME HEIGHT

There are six flame settings that can be adjusted by pressing and releasing the plus (+) and minus (-) FLAME button.

The FLAME setting button is located on the control panel in behind the pedestal door.

FINAL CHECK

Before leaving this unit with the customer, the installer must ensure that the appliance is firing correctly. This includes:

- 1) Locking the appliance to ensure the correct firing rate (rate noted on label) at 15 minutes.
- 2) If required, adjusting the primary air to ensure that the flame does not carbon. First allow the unit to burn for 15 min. to stabilize.
- 3) Check for proper draft.

CAUTION

Any alteration to the product that causes sooting or carboning that results in damage to the exterior fascia is not the responsibility of the manufacturer.

SUMMARY OF CONTROLS

On/Off Button

If the unit is switched off, pressing and releasing this button once will switch the unit on. The unit will resume its last settings.

If the unit is switched on, pressing and releasing this button once will switch the unit off.

Flame:

Increase - If the unit is switched on, pressing and releasing the flame plus (+) button once will increase the flame height to the next available high setting.

Decrease - If the unit is switched on, pressing and releasing the flame minus (-) button once will decrease the flame height to the next available low setting.

Fan:

Increase - If the unit is switched on, pressing and releasing the fan plus (+) button once will increase the fan speed to the next available high setting.

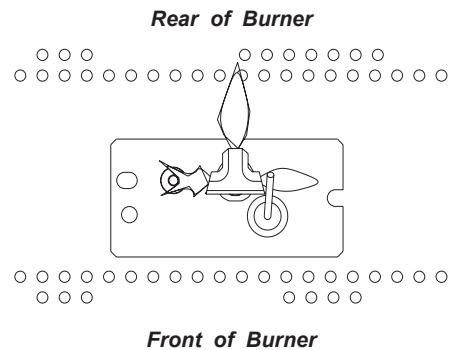
Decrease - If the unit is switched on, pressing and releasing the fan minus (-) button once will decrease the fan speed to the next available low setting.

PILOT ADJUSTMENT

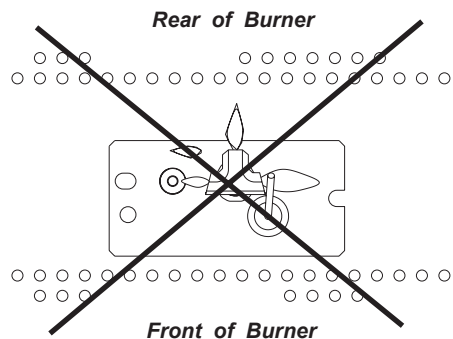
Periodically check the pilot flames. The correct flame pattern has 3 strong blue flames.

One flowing around the thermocouple, the second flowing across the rear of the burner (it does not have to be touching the burner) and the third flame flowing tangent to the spark ignitor.

NOTE: If you have an incorrect flame pattern, contact your Masport dealer for further instructions.



An incorrect flame pattern will have small, probably yellow flames, not coming into proper contact with the rear of the burner or thermopile.



COPY OF THE LIGHTING PLATE INSTRUCTIONS

**FOR YOUR SAFETY
READ BEFORE LIGHTING**

This appliance must be installed in accordance with local codes, if any; if not, follow the current CAN1-B149/ANSI Z 223.1 (Australia: AG601, New Zealand: NZS 5261)

WARNING: If you do not follow these instructions exactly, a fire or explosion may result causing property damage, personal injury or loss of life. Improper installation, adjustment, alteration, service or maintenance can cause injury or property damage. Refer to the owner's information manual provided with this appliance. For assistance or additional information consult a qualified installer, service agency or gas supplier.

A) **BEFORE LIGHTING** smell all around the appliance area for gas. Be sure to smell next to the floor because some gas is heavier than air and will settle on the floor.

WHAT TO DO IF YOU SMELL GAS

- Do not try to light any appliance
- Do not touch any electric switch, do not use any phone in your building
- Immediately call your gas supplier from a neighbors phone. Follow the gas supplier's instructions.
- If you cannot reach your gas supplier, call the fire department.

B) Do not use this appliance if any part has been under water. Immediately call a qualified service technician to inspect the appliance and to replace any part of the control system and any gas control which has been under water.

This appliance needs fresh air for safe operation and must be installed so there are provisions for adequate combustion and ventilation air.

CAUTION: Hot while in operation. Do not touch. Severe Burns may result. Due to high surface temperatures keep children, clothing and furniture, gasoline and other liquids having flammable vapors away. Keep burner and control compartment clean. See installation and operating instructions accompanying appliance.

LIGHTING INSTRUCTIONS

STOP! Read the safety information above on this label.

- 1) Plug the power cord into a power outlet.
- 2) Press and release the ON/OFF button once to start the unit.
- 3) After approximately 3 seconds the spark ignition system will spark for 25 seconds to light the main burner.
- 4) If the main burner does not light, check the gas and reset the unit.

TO TURN OFF GAS APPLIANCE

- 1) Press the ON/OFF button once.
- 2) Turn off all electric power to the unit if service is to be performed.

DO NOT REMOVE THIS INSTRUCTION PLATE
918-399

MAINTENANCE

NORMAL OPERATING SOUNDS OF GAS APPLIANCES

It is possible that you will hear some sounds from your gas appliance. This is perfectly normal due to the fact that there are various gauges and types of steel used within your appliance. Listed below are some examples. All are **normal operating sounds** and should not be considered as defects in your appliance.

Blower:

Masport gas appliances use high tech blowers to push heated air farther into the room. It is not unusual for the fan to make a "whirring" sound when ON. This sound will increase or decrease in volume depending on the speed setting of your fan speed control.

Burner Tray:

The burner tray is positioned directly under the burner tube(s) and logs and is made of a different gauge material from the rest of the firebox and body. Therefore, the varying thicknesses of steel will expand and contract at slightly different rates which can cause "ticking" and "cracking" sounds. You should also be aware that as there are temperature changes within the unit these sounds will likely re-occur. Again, this is normal for steel fireboxes.

Gas Control Valve:

As the gas control valve turns ON and OFF, a dull clicking sound may be audible, this is normal operation of a gas regulator or valve.

Unit Body/Firebox:

Different types and thicknesses of steel will expand and contract at different rates resulting in some "cracking" and "ticking" sounds will be heard throughout the cycling process.

MAINTENANCE INSTRUCTIONS

Any maintenance required accessing the glass door of the unit must be performed by an authorized service person.

- 1) Always unplug the power cord before cleaning. For relighting, refer to lighting instructions. Keep the burner and control compartment clean by brushing and vacuuming at least once a year. When cleaning the logs, use a soft clean brush as the logs are fragile and easily damaged.
- 2) Clean glass (never when unit is hot), appliance, louvres, and door with a damp cloth. Never use an abrasive cleaner. The gold louvres (and optional gold door) may be scratched if abrasives are used to clean them.

The heater is finished in a heat resistant paint and should only be refinished with heat resistant paint (not with wall paint). Masport uses StoveBright Paint - Metallic Black #6309.

- 3) Make a periodic check of burner for proper position and condition. Visually check the flame of the burner periodically, making sure the flames are steady; not lifting or floating. If there is a problem, call an authorized service person.
- 4) The appliance and flueing system must be inspected before use, and at least annually, by an authorized field service person, to ensure that the flow of combustion and ventilation air is not obstructed.

During the annual service call, the burners should be removed from the burner tray and cleaned. Replace the embers - do not block the pilot or burner ports.

- 5) Keep the area near the appliance clear and free from combustible materials, gasoline and other flammable vapours and liquids.

WARNING: CHILDREN AND ADULTS SHOULD BE ALERTED TO THE HAZARDS OF HIGH SURFACE TEMPERATURE AND SHOULD STAY AWAY TO AVOID BURNS OR CLOTHING IGNITION. YOUNG CHILDREN SHOULD BE CAREFULLY SUPERVISED WHEN THEY ARE IN THE SAME ROOM AS THE APPLIANCE.

CAUTION: ANY SAFETY SCREEN OR GUARD REMOVED FOR SERVICING AN APPLIANCE MUST BE REPLACED PRIOR TO OPERATING THE APPLIANCE.

CLOTHING OR OTHER FLAMMABLE MATERIAL SHOULD NOT BE PLACED ON OR NEAR THE APPLIANCE.

DO NOT USE THIS APPLIANCE IF ANY PART HAS BEEN UNDER WATER. IMMEDIATELY CALL AN AUTHORIZED SERVICE TECHNICIAN TO INSPECT THE APPLIANCE AND TO REPLACE ANY PART OF CONTROL SYSTEM AND ANY GAS CONTROL WHICH HAS BEEN UNDER WATER.

- 6) Verify proper operation after servicing.

GENERAL FLUE MAINTENANCE

Conduct an inspection of the flueing system semi-annually. Recommended areas to inspect as follows:

- 1) Check the Flueing System for corrosion in areas that are exposed to the elements. These will appear as rust spots or streaks, and in extreme cases, holes. These components should be replaced immediately.
- 2) Remove the Cap, and shine a flashlight down the Flue. Remove any bird nests, or other foreign material.
- 3) Check for evidences of excessive condensation, such as water droplets forming in the inner liner, and subsequently dripping out the joints. Continuous condensation can cause corrosion of caps, pipe, and fittings. It may be caused by having excessive lateral runs, too many elbows, and exterior portions of the system being exposed to cold weather.
- 4) Inspect joints, to verify that no pipe sections or fittings have been disturbed, and consequently loosened. Also check mechanical supports such as Wall Straps, or plumbers' tape for rigidity.

LOG REPLACEMENT

The unit should never be used with broken logs. Turn off the gas valve and allow the unit to cool before opening door to carefully remove the logs. The pilot light generates enough heat to burn someone. If for any reason a log should need replacement, you must use the proper replacement log. The position of these logs must be as shown in the diagram under Log Installation.

Note: Improper positioning of logs may create carbon build-up and will alter the unit's performance which is not covered under warranty.

GLASS REPLACEMENT

Your stove is supplied with high temperature, 5 mm Neoceram ceramic glass that will withstand the highest heat that your unit will produce. In the event that you break your glass by impact, purchase your replacement door from an authorized Masport dealer only, and follow our step-by-step instructions for replacement.

- 1) Lift off the Cast Top.



- 2) Open the 2 latches of the Glass Front.



Latches

- 3) Lift the Glass Front Assembly up.



- 4) Remove the glass and replace with the new glass.
- 5) Replace the door and Cast Top.

WARNING: Do not operate appliance with glass panel removed, cracked or broken. Replacement of the glass should be done by a licensed or qualified service person.

Note: Wearing gloves will protect your hands while handling glass.

MAINTENANCE

FAN MAINTENANCE

If your fan requires maintenance or replacement, access to the fan is through the rear access panel on the back of the unit. **NOTE: the unit MUST NOT be operated without the fan access panel securely in place and correctly sealed.**

IMPORTANT: These fans collect a lot of dust from within your home. Ensure you maintain these fan motors on a regular basis by vacuuming out the fan squirrel cages, around the motor, and around the grills on the back of the stove.

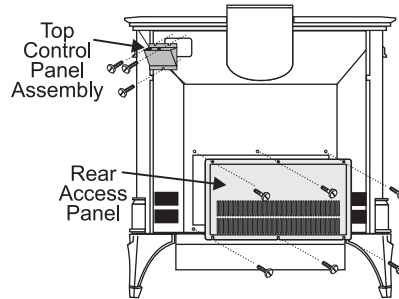
WARNING:

Electrical Grounding Instructions
This appliance is equipped with a three pronged (grounding) plug for your protection against shock hazard and should be plugged directly into a properly grounded three-prong receptacle. Do not cut or remove the grounding prong from this plug.

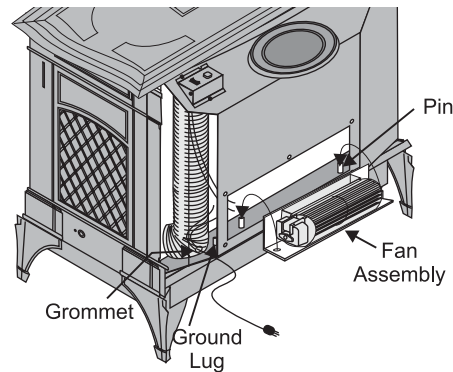
IMPORTANT
Disconnect power supply
before servicing

To Remove Fan:

- 1) Unplug or disconnect power source to stove.
- 2) Remove the 6 screws holding the access panel in place.



- 3) Unclip the black, violet and white wires from the fan motor.
- 4) Lift fan off of the 2 pins, tip back and pull through rear panel. Do not tear or damage the flex pipe when removing the fan. Disconnect the green ground wire from the right side of the fan as soon as you can reach it.



Replacing the Fan:

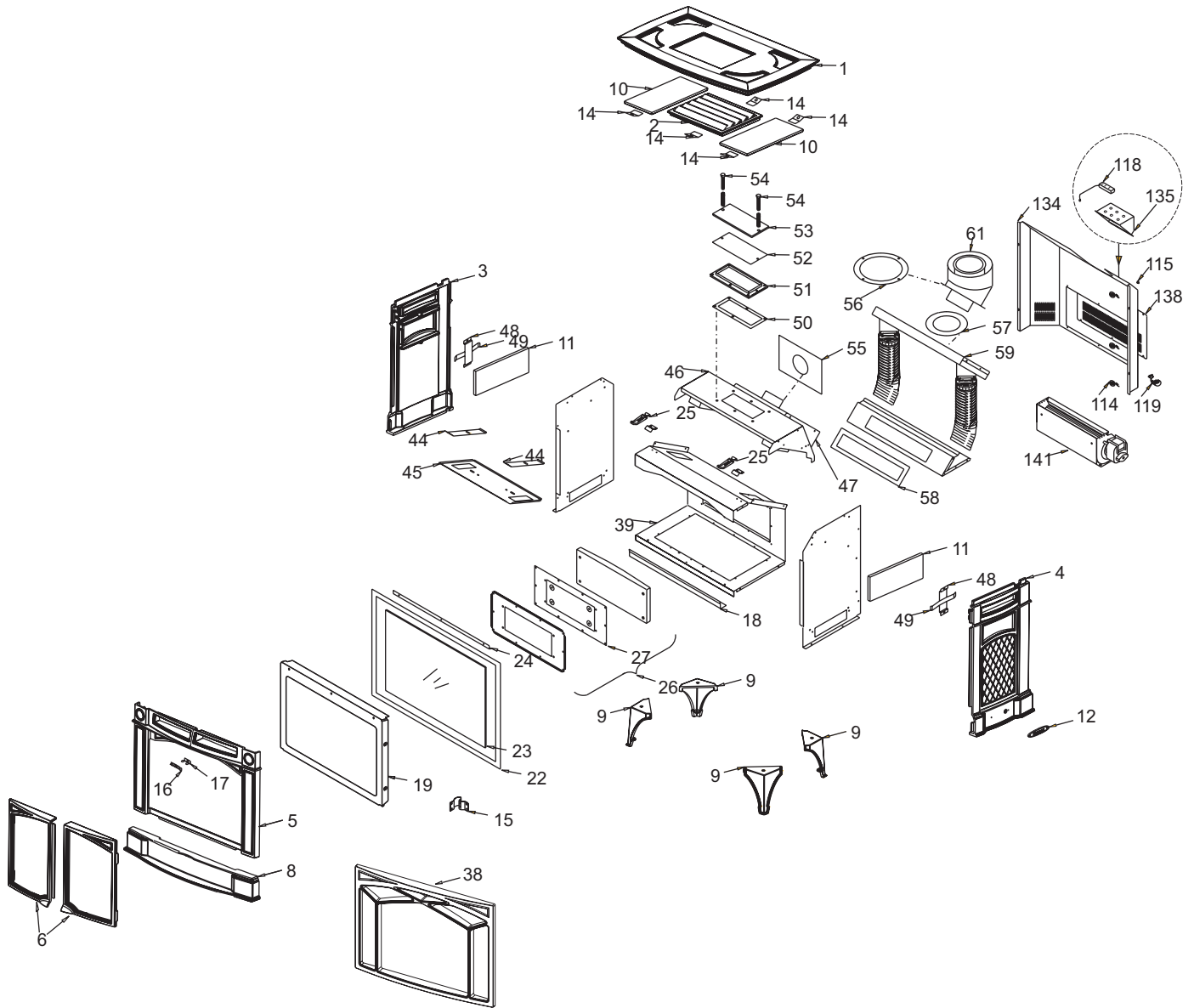
Reverse steps 4 thru 1. Make sure the fan wires and the ground wire are reattached.

Hint for pushing fan down onto pins - rub a bit of dish soap on the grommet so it will slide more easily onto the pin. Check to make sure the fan is seated properly on the pins - try to move the fan back and forth, there should be no noise, if there is check that the grommets haven't come loose.

MAIN ASSEMBLY

Part #	Description	Part #	Description	Part #	Description
1)	942-301** Casting - Top		Top Relief Door Assembly	138)	630-021F Fan Access Panel
2)	942-311** Casting - Top Grill	50)	W260260 Top Relief Frame Gasket		918-356 Decal-Rear Control Panel
3)	942-321** Casting - Left Side	51)	942-117 Top Relief Frame		
4)	942-331** Casting - Right Side	52)	W260280 Top Relief Plate Gasket		560-519/P Fan Assembly (Option)
5)	942-341** Casting - Front	53)	770-066F Top Relief Plate	141)	910-169/P Fan Blower
6)	740-931** Casting - Double Door	54)	* Capscrew 1/4 x 1-3/4 NC		910-714 Power Cord (240 V)
8)	942-371** Casting - Bottom Skirt				
9)	942-381** Casting - Leg				918-365 Manual
10)	942-391** Casting - Insert Plate - Top	55)	* Gasket - Transition Box/Air Passage		
11)	942-401** Casting - Insert Plate - Side	56)	W842051 Gasket - Upper Air Passage Top		*Note: Not available as a replacement part.
12)	948-217 Masport Logo Plate				**Last digit of part number indicated colour: 1=Charcoal Grey, 2=Slate Blue, 4=Ivory, 5=Timberline Brown.
14)	740-062 Top Insert Bracket	57)	W260108 Gasket - Upper Air Passage Bottom		
15)	904-209 Concealed Hinge	58)	630-009 Gasket - Lower Air Passage		
16)	740-069 Cast Door Catch - Top				
17)	740-067 Cast Door Catch - Lower	59)	* Upper Air Passage Assy		
	740-542 Front Door Assembly				
18)	740-051 Door Support	61)	945F Direct Vent Adaptor		
19)	740-055 Door Frame				
22)	41225 Gasket - Tadpole				
23)	940-324/P Replacement Glass	114)	* Rear Panel Assembly		
24)	740-056 Glass Bracket	115)	* Wire Tie Wrap		
25)	948-255 Latch	118)	910-087 High Temperature Wire Harness - Fan End		
26)	740-548 Relief Door Assembly	119)	* Grommet for Power Cord		
27)	740-059 Gasket - Mounting Relief	134)	746-007 Rear Panel		
		135)	746-005 Rear Control Panel		
38)	740-921** Front Grill				
39)	* Firebox				
	Baffle Restrictor Assembly				
44)	730-029 Restrictor				
45)	740-048 Baffle for Firebox				
46)	* Heat Exchanger Assy				
47)	* Transition Box Assy				
48)	740-061 Side Insert Bracket				
49)	740-063 Side Insert Spring				

PARTS LIST

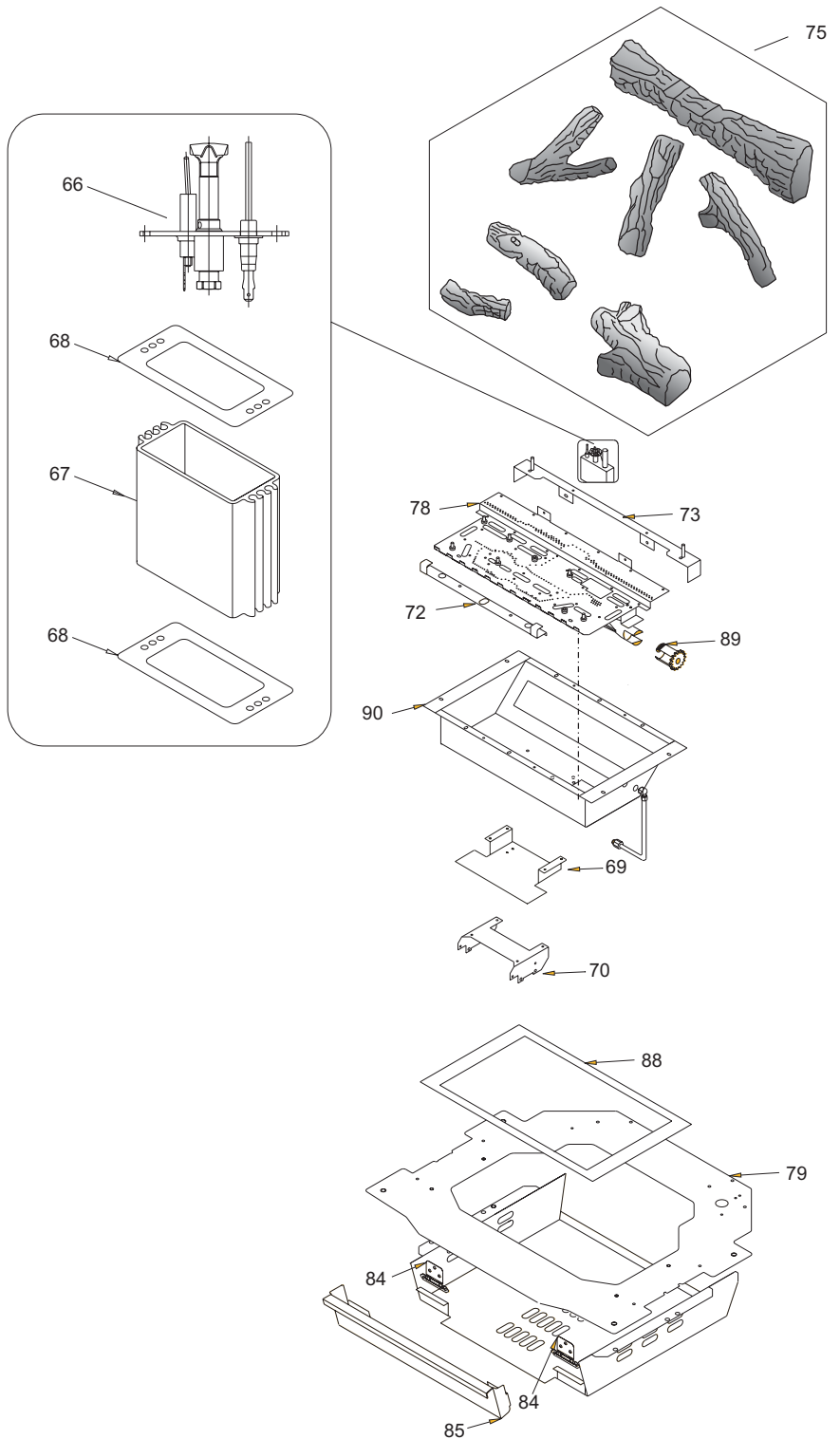


BURNER & LOG ASSEMBLY

Part # Description

	746-574/P	Valve Assembly Sigma - NG
	746-576/P	Valve Assembly Sigma - LPG
	904-689	#33 Orifice - NG
	904-645	#51 Orifice - LPG
	904-390	#52 ULPG
	936-170	Orifice Gasket
67)	730-041	Pilot Holder
68)	W840470	Pilot Assembly Gasket
69)	*	Valve Shield
70)	*	Valve Bracket
72)	*	Front Support
73)	730-528	Rear Log Bracket Assy
75)	402-935	Log Set
	740-572	Ember Package
78)	746-525	Burner Assy
79)	*	Base Plate
84)	948-042	Hinge of Valve
		Access Door
85)	260-056	Valve Access Door
88)	630-008	Burner Tray Firebox Gasket
90)	*	Burner Box
	746-969	Conversion Kit from NG to LPG
	746-967	Conversion Kit from NG to ULPG

*Note: Not available as a replacement part.



THE MASPORT EXPRESS WARRANTY

All new Masport Gas appliances are warranted, subject to the following conditions, to be free from defects in material or workmanship under normal use. The Express Warranty on all parts, including firebox components but excluding fans, flues and flue accessories is two years from date of original purchase as well as labour costs involved in the repair or replacement. The Express Warranty on fans, flues and accessories is for a period of twelve months from date of original purchase and includes labour costs involved in the repair or replacement.

This Express Warranty applies only with respect to defects in material and workmanship under normal and proper use of the NEW UNIT in its unmodified condition. Masport's obligation under this Express Warranty is limited to the repair or replacement, at its option, by an approved Masport Gas Service Agent (Retailer) of any part found to be defective in material or workmanship.

Labour costs involved in the repair or replacement are also covered under this Express Warranty as per the time condition outlined.

If an approved Masport Gas Service Agent is requested to attend on a service call that is not covered under this Express Warranty, a call out charge may be applicable, regardless of whether a repair is carried out or not.

Masport can accept no obligation whatsoever for any incidental, consequential or special damages or expenses resulting from any product defect. This Express Warranty applies from the date of original purchase, applies to the original purchaser, and is not transferable. The decision to repair or replace defective components will be made by Masport or its agent and actioned by an approved Masport Service Agent.

This Express Warranty Does Not Cover:

1. Defects, malfunctions or failures caused by incorrect installation, normal wear and tear, misuse, neglect, accidental damage or failure to follow the fuel selection, product operating and maintenance instructions, or resulting from installations, repairs or modifications to the equipment carried out by unauthorised persons.
2. Defects, malfunctions or failures caused by an act or omission of other persons after the product has left Masport's control.
3. The costs of collection and delivery of the equipment.
4. The cost of labour or materials as a consequence of faulty installation of gas supply line, flue, burner or log settings, or non-compliance with local codes.

The Express Warranty is not intended to exclude any rights the purchaser may have under the laws of the place, state, or country of purchase. Nothing in this Express Warranty limits or restricts any other statutory right or remedy available to the purchaser.

How You Obtain Warranty Service:

Provide proof of the date of purchase. Should the need for a warranty claim arise reasonable proof of the purchase date is required therefore you should retain your sales receipt. Where flueless appliances are not permanently installed, they should be returned to a Service Agent for evaluation.

Make the faulty part(s) available for inspection by Masport and/or its agents so that the validity of the claim can be established by them.

Australia Distributor:

Masport Pty Limited
P.O. Box 533
Braeside Victoria 3195

New Zealand:

Masport Limited
P.O. Box 14-349
Panmure
Auckland 6

For your own records, please complete the following:

Model: _____	Serial Number: _____
Retailer: _____	

Purchase Date: _____	

