

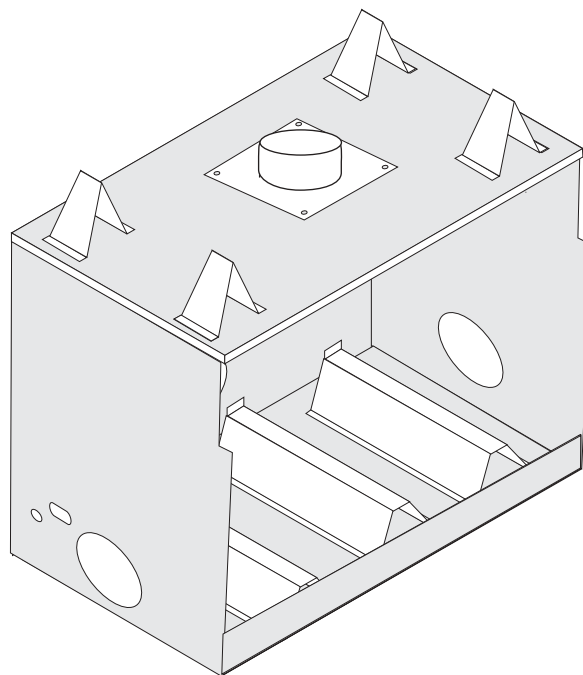
Masport®

Owners & Installation

Manual

G51 ZERO CLEARANCE KIT

KIT # 390-900



**PLEASE KEEP THESE INSTRUCTIONS
FOR FUTURE REFERENCE**

WARNING:

Improper installation, adjustment, alteration, service or maintenance can cause injury or property damage. Refer to this manual. For assistance or additional information consult an authorized installer, service agency or the gas supplier.

FOR YOUR SAFETY

Do not store or use gasoline or other flammable vapours and liquids in the vicinity of this or any other appliance.

Installation and service must be performed by an authorized installer, service agency or the gas supplier.

FOR YOUR SAFETY

What to do if you smell gas:

- | Do not try to light any appliance
- | Do not touch any electrical switch: do not use any phone in your building.
- | Immediately call your gas supplier from a neighbour's phone. Follow the gas supplier's instructions.
- | If you cannot reach your gas supplier, call the fire department.

Fireplace Products International Ltd.
6988 Venture St., Delta, B.C.
Canada, V4G 1H4

Masport Head Office - Australia
54 Boundary Rd. Braeside
P.O. Box 553
Mordialloc 3195

Australian Heating Distributors
10/46 James St.,
Guildford, Western Australia 6055

Masport Head Office - New Zealand
1-37 Mt Wellington Hwy. Panmure,
P.O. Box 14349
Auckland 6.

TABLE OF CONTENTS

G51 ZERO CLEARANCE KIT

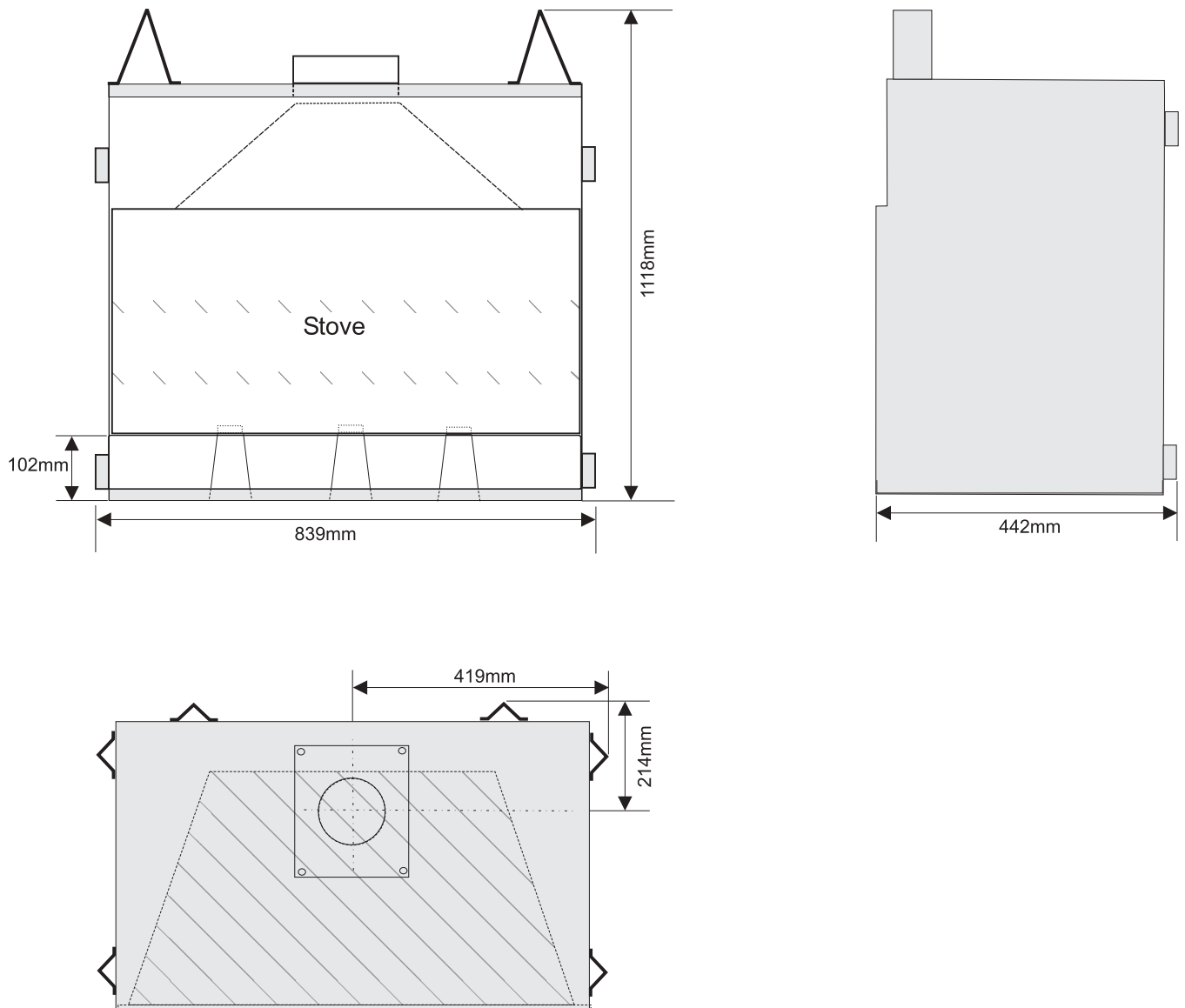
CONTENTS	PAGE
Listings & Code Approvals	3
Specifications	3
General Information	4
Parts	4
Clearances to Combustibles	4
Locating Your Fireplace	5
Framing	5
Kit Assembly	6
Venting	7
Zero Clearance Box Installation	8
Outside Combustion Air Supply Installation (optional)	9
Gas Supply Line	9
Electrical Supply	9

LISTINGS AND CODE APPROVALS

This gas component has been tested in accordance with National Safety Standards, and has been certified for installation and operation in Australia and New Zealand as described in these Installation and Operating Instructions.

Check with your local building code agency before you begin your installation to ensure compliance with local codes, including the need for "permits" and follow-up inspections. If any problems are encountered regarding code approvals, or if you wish clarification on any of the instructions contained here, contact your local dealer.

Specifications



INSTALLATION

GENERAL INFORMATION

This kit consists of factory built parts that require minimal assembly to form the Zero Clearance box for the G51 Gas Insert. The Zero Clearance box can then be fixed into a framed combustible construction, and a standard "B-vent" installed on the assembly for the required venting. The insert can be installed later. The faceplate will normally overlap on top of the finished wall. You can convert the G51 Gas Insert model into highly efficient heat producing Zero Clearance Fireplaces.

PARTS

Included with Kit:

- 1 Main Body Assembly
- 1 Faceplate Top Insulation
- 1 Zero Clearance Top Louver Assembly

CLEARANCES TO COMBUSTIBLES

The clearances for the Zero Clearance Kit are 0" to combustibles (back, side and floor) but when planning your installation review the clearances required (see below) after it is installed in the Zero Clearance Kit.

The Zero Clearance Kit must be installed on a flat, solid, continuous surface (e.g. wood, metal, concrete). This may be the floor, or raised up on a platform to enhance its visual impact.

Note: Ensure the paint that is used on the mantel and the facing is "heat resistant" or the paint may discolour.

Clearances to Combustibles

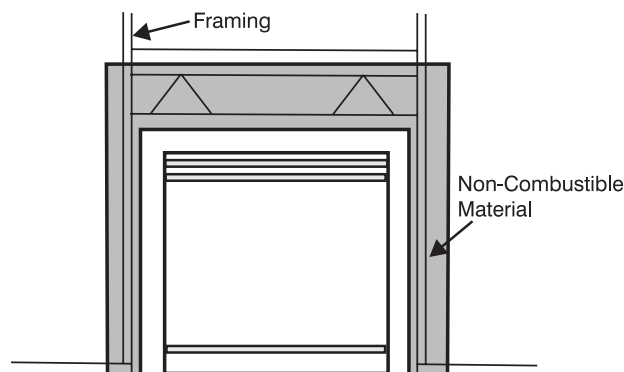
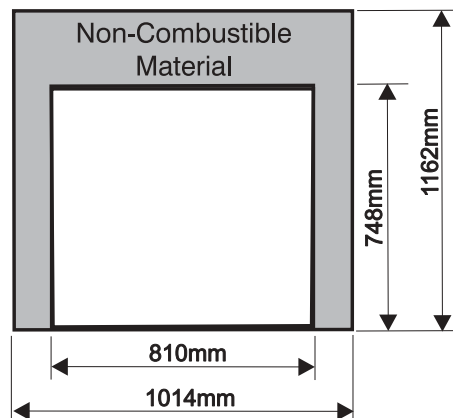
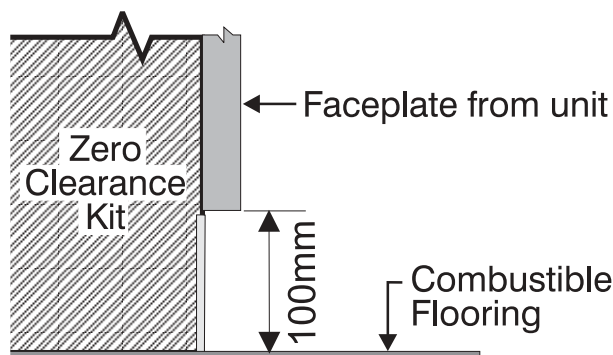
Refer to installation manual for clearances.

Facing Requirements

The fireplace requires a non-combustible material extending to the framing header and sides.

Combustible Mantel Clearances

Refer to installation instructions on page 7 of the manual for clearances.

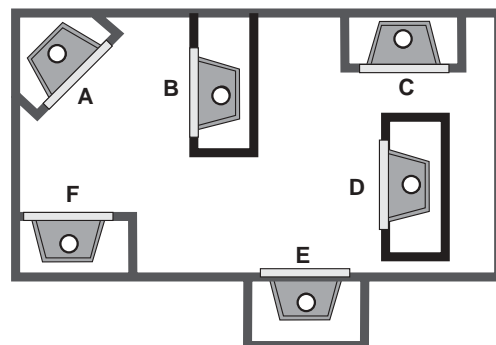


LOCATING YOUR G51 FIREPLACE

Due to high temperatures the Insert should be located out of traffic and away from furniture and draperies. Provide a minimum of 48" (1220mm) front clearance to the unit.

This appliance is Listed for Alcove installations, maintain minimum Alcove clearances as follows, minimum ceiling height of 65.5" (1666mm), minimum width of 56.5" (1435 mm) and a maximum depth of 36" (915 mm).

This unit is not approved for installation into a mobile home.

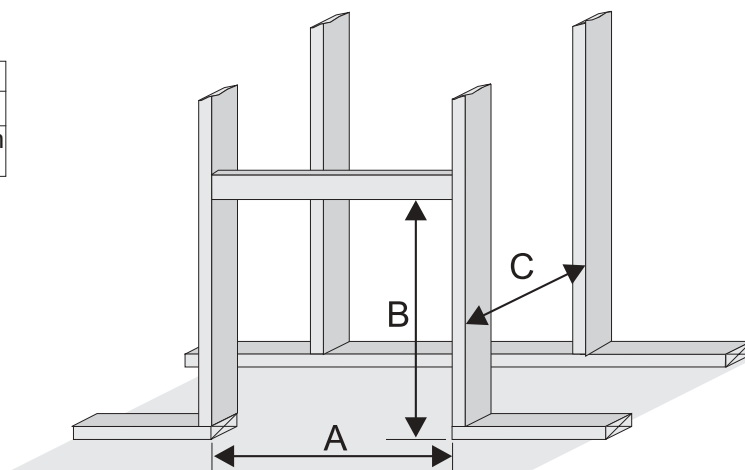


- a) Cross Corner
- b) Room Divider
- c) Flat on wall
- d) Island
- e) Flush with Wall
- f) Flat on Wall Corner

FRAMING

- 1) The trim kit allows for 1/2" (13 mm) of finish non-combustible facing material. The kit may be installed directly on and/or against standard combustible building materials.
- 2) Frame in the Zero Clearance box for the Kit with framing material.
- 3) For exterior walls, vapour barrier and insulate the Zero Clearance box to the same degree as the rest of the house, or according to local installation codes.
- 4) The appliance may be enclosed above the standoffs on the cabinet but the clearances stated on the b-vent chimney must be maintained.

Framing Dimensions		
A	B	C
839mm	1118mm	428mm



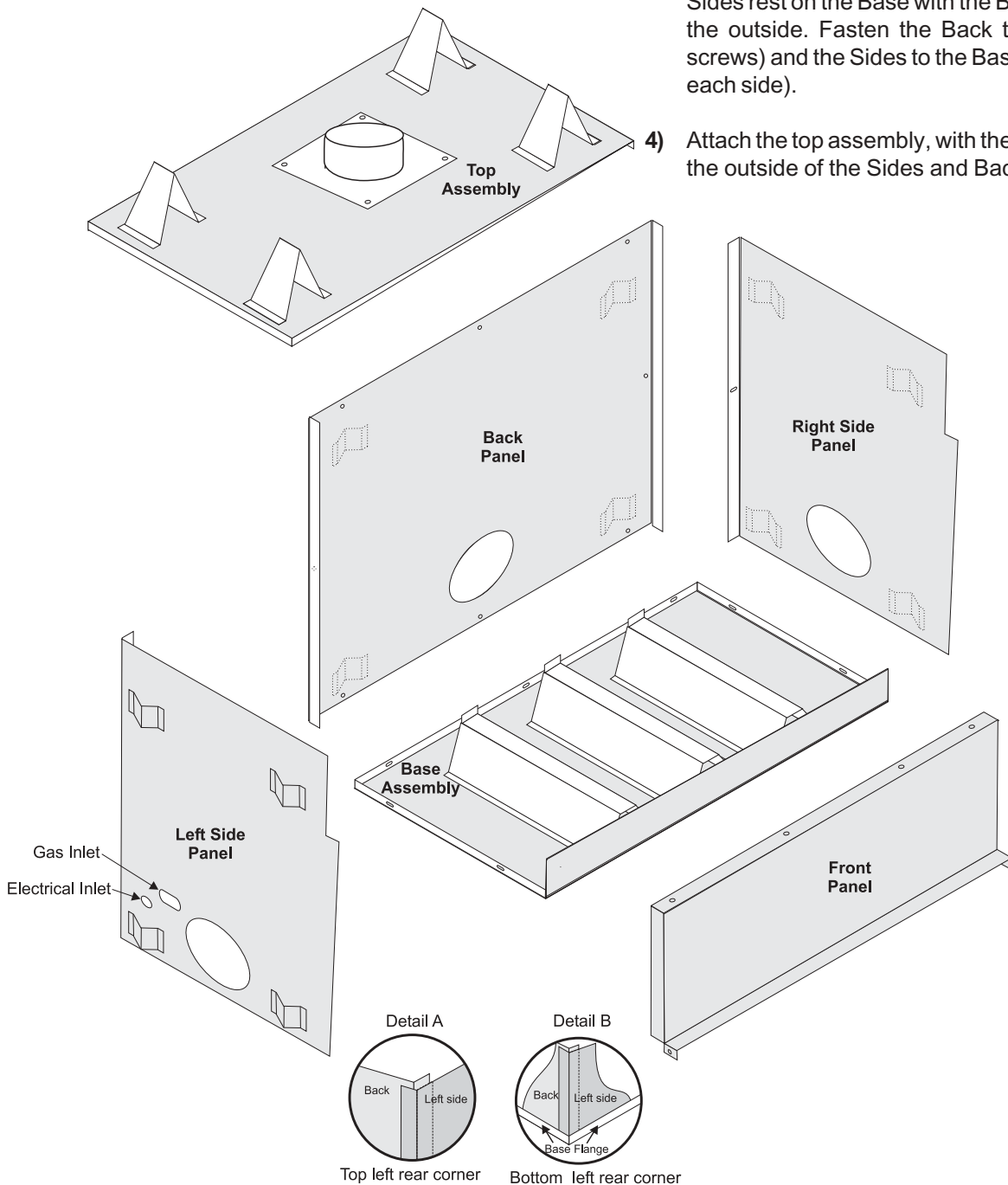
Warning: Combustible materials must not extend inside the stand-offs on the side, top and rear supports. For safety reasons do not modify or alter any components of the 390-900 kit.

INSTALLATION

KIT ASSEMBLY

Parts

- 1) Top Assembly
- 2) Base Assembly
- 3) Back Panel
- 4) Left Side Panel
- 5) Right Side Panel
- 6) Front Panel



Kit Assembly

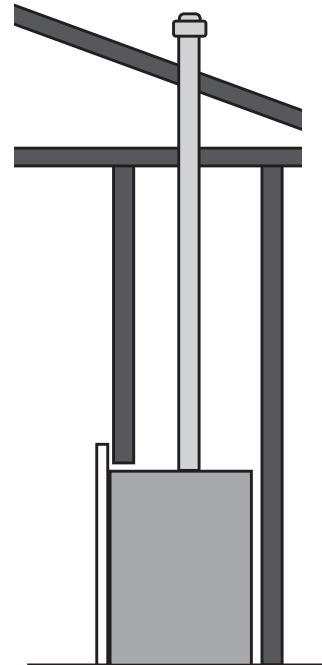
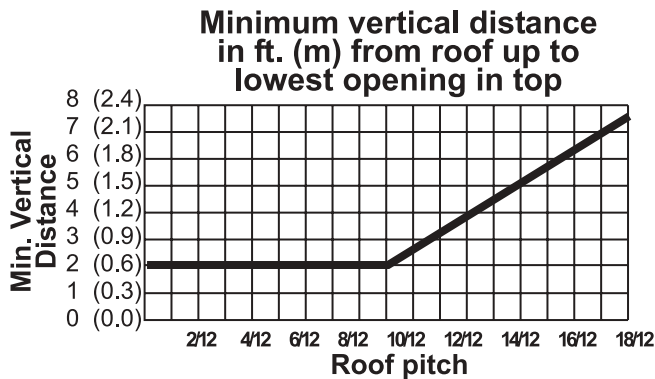
- 1) Lay the Base Assembly on a flat surface.
- 2) Attach the Left and Right Side panels to the Back panel (one screw each side).
NOTE: The side flanges are on the outside, back flanges are on the inside.
- 3) Lift the Back/Side Assembly onto the Base, position as shown in the diagram. The Back and Sides rest on the Base with the Base flanges on the outside. Fasten the Back to the Base (3 screws) and the Sides to the Base (2 screws for each side).
- 4) Attach the top assembly, with the top flanges on the outside of the Sides and Back panels.

VENTING

1) This fireplace must be vented with a 8" (200mm) diameter Class "B" vent. The installation of the venting system must conform and be in accordance with the natural gas installation code CAN/CGA - B149 (Canada), ANSI Z223.1 (U.S.A.), AG 601 (Australia), and NZS 5261 (New Zealand). Minimum chimney height from base of fireplace must be at least 12 feet (3.7m).

2) **Masonry Chimney Installation:**

This application can be connected to a masonry chimney flue. Make sure the masonry chimney is clean and in good working order. When an existing masonry chimney is unlined and local experience indicates that gas condensation may be a problem or if local codes dictate, an approved liner should be installed. Use "B" Vent to bridge the gap between the fireplace and the masonry chimney. To ensure proper flue sizing and operation it is recommended that the masonry chimney be lined with an approved aluminium chimney liner of the same diameter as the "B" Vent. Make sure connection between "B" Vent and masonry is completely sealed. Flue pipe exposed to cold air should be insulated in a chase. If condensation occurs, a trap should be installed at bottom of flue.



INSTALLATION

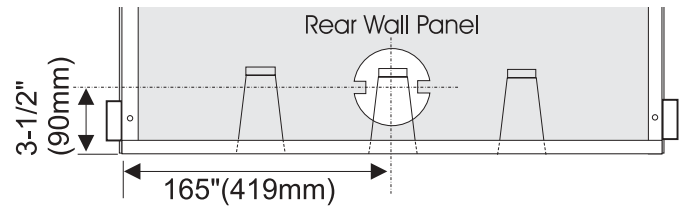
ZERO CLEARANCE BOX INSTALLATION

- 1) Assemble Zero Clearance box as per instructions on page 6. **DOT NOT INSTALL FRONT PLATE.**
- 2) Place the unit on the stand-offs in the Zero Clearance box.
- 3) Slide the unit in all the way back.
- 4) Run required gas and electrical connections to the Zero Clearance box, both are located on the left hand side of the unit. See "Gas Supply Line" on page 9 and "Electrical Supply" on page 9.
- 5) Attach flue collar to the top assembly. Align with holes in Zero Clearance box and secure with 4 screws.
- 6) Install front panel of zero clearance box, secure using 6 screws.
- 7) Make the final gas and electrical connections as per the instruction manual.



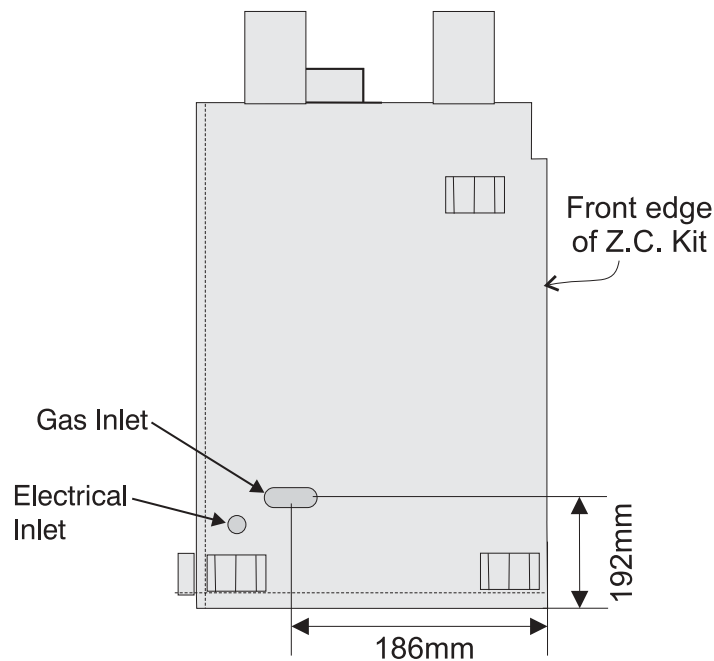
OPTIONAL OUTSIDE COMBUSTION AIR SUPPLY INSTALLATION

A 4" (100 mm) dia. aluminum flex pipe or equivalent may be installed from the outside (with a proper exterior cover) to the Zero Clearance cabinet. There is an outside hole provided on the rear wall of the kit. This will provide adequate outside combustion air supply to the heater.



GAS SUPPLY LINE

An authorized service person should install the gas line in accordance with all local building codes. If codes permit, flex gas line or coiled copper tubing may be used as gas supply line.



ELECTRICAL SUPPLY

Provide 120 VAC, 60 Hz (in Australia and New Zealand: 240 VAC, 50 Hz) receptacle within 24" (610mm) of the left side of the appliance (not inside the Zero Clearance Cabinet). Plug the cord on the appliance into the receptacle.
