

Owners & Installation

Manual

LISTINGS AND CODE APPROVALS

These gas appliances have been tested in accordance with AG 103, NZS 5262 and have been certified by the Australian Gas Association for installation and operation as described in these Installation and Operating Instructions.

Your unit should be serviced annually by an authorised service person.

Masport®

Freestanding Gas Fire

Geneva

Models: F37-NG
F37-LPG



PLEASE KEEP THESE INSTRUCTIONS FOR FUTURE REFERENCE

WARNING:

Improper installation, adjustment, alteration, service or maintenance can cause injury or property damage. Refer to this manual. For assistance or additional information consult an authorized installer, service agency or the gas supplier.

FOR YOUR SAFETY

Do not store or use gasoline or other flammable vapours and liquids in the vicinity of this or any other appliance.

Installation and service must be performed by an authorized installer, service agency or the gas supplier.

FOR YOUR SAFETY

What to do if you smell gas:

- Do not try to light any appliance
- Do not touch any electrical switch: do not use any phone in your building.
- Immediately call your gas supplier from a neighbour's phone. Follow the gas supplier's instructions.
- If you cannot reach your gas supplier, call the fire department.

Australia
P.O. Box 533
Braeside, Victoria 3195

New Zealand
1-37 Mt Wellington Hwy. Panmure,
P.O. Box 14349
Auckland 6.

To the New Owner:

Congratulations! You are the owner of a state-of-the-art Masport Rear Flued Room Sealed Freestanding Gas Fire. The Masport Gas Series of hand crafted appliances has been designed to provide you with all the warmth and charm of a woodfire, at the flick of a switch. The models F37-NG, and F37-LPG of this series has been approved by AGA for both safety and efficiency. As it also bears our own mark, it promises to provide you with economy, comfort and security for many trouble free years to follow. Please take a moment now to acquaint yourself with these instructions and the many features of your Masport Rear Flued Room Sealed Freestanding Gas Fire.

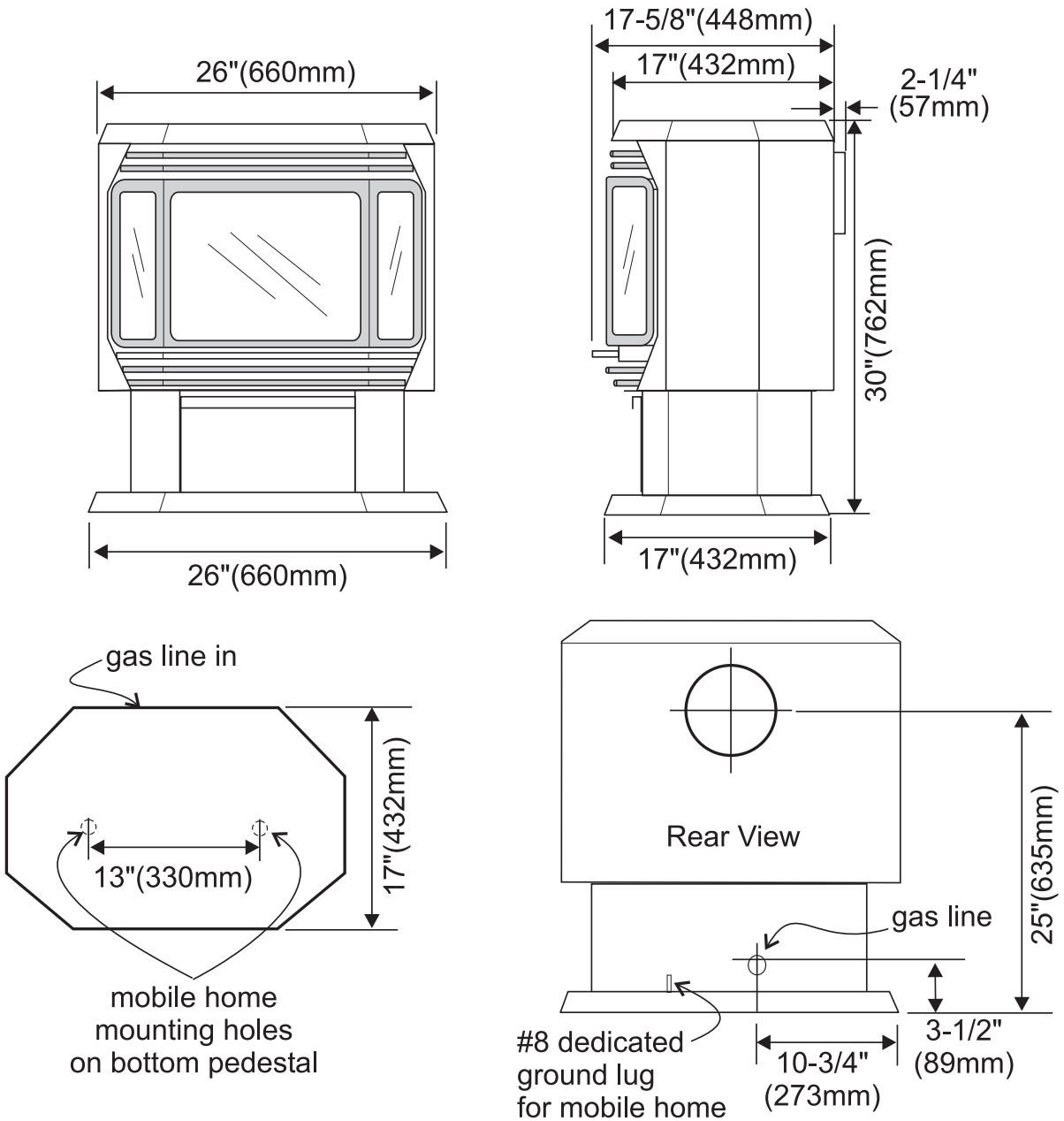


TABLE OF CONTENTS

	Page		Page
Specifications diagram	2		
Data Plate	4		
Installation		Operating Instructions	
Specifications	5	Operating Instructions	16
Before You Start	5	Lighting Procedure	16
General Safety Information	5	Shutdown Procedure	16
Installation Checklist	6	First Fire	16
Locating Your MASPORT Gas Fire	6	Convection Fan Operation	16
Clearances to Combustibles	6	Normal Operating Sounds of Gas Appliances	16
Combustion and Ventilation Air	6	Copy of Lighting Plate Instructions	17
Exterior Flue Terminal Locations	7	Maintenance	
Flueing	8	Maintenance Instructions	18
Flueing Installation Precautions	8	General Flue Maintenance	18
Safety Precautions for the Installer	8	Log Replacement	18
Planning Your Flueing Installation	8	Gold Plated Doors	18
Flueing Arrangements - Vertical Terminations for both Residential & Manufactured Homes/Mobile Homes	9	Door Gasket	18
Flue Restrictor Position	9	Latch Adjustment	19
Horizontal Installations	10	Glass Replacement	19
Gas Connection	10	Fan Maintenance	20
System Data Chart	10	Removing Valve	20
Conversion from NG to LPG	11	Firebox Paint	21
Aeration Adjustment	12	Replacement Parts List	22
Log Installation	12	Warranty	
Door Installation	13	Warranty	27
Pressure Testing	14		
Valve Description	14		
Louvre Installation	14		
Optional Wall Thermostat	14		
Optional Remote Control	15		
Final Check	15		
Wiring Diagram	15		

DATA PLATE

This is a copy of the label that accompanies each MASPORT Rear Flued Room Sealed Freestanding Gas Fire. We have printed a copy of

the contents here for your review. The data plate is located on the inside of the drop down pedestal door.

NOTE: Masport units are constantly being improved. Check the label on the unit and if there is a difference, the label on the unit is the correct one.

Masport Gas Fireplace

Model	<input type="radio"/>	<input type="radio"/>	<input type="radio"/>	<input type="radio"/>
Gas Type	NG	LPG	NG	LPG
Model	F37-NG	F37-LPG	F39-NG	F39-LPG
Gas Consumption	31.7mj.	31mj.	40mj.	38mj.
Manifold Pressure	.89kPa	2.55kPa	.94kPa	2.55kPa
Injector Size:	1x#37 2.64mm	1x#52 1.61mm	1x#32 2.95mm	1x#50 1.78 mm
AGA Approval number to Code AG103	6240	6240	6240	6240


Distributed by:

Masport Pty. Ltd.
PO Box 533
Braeside, Victoria. 3195

Masport Ltd.
1-37 Mt. Wellington H/Way
Auckland 6
New Zealand

To be installed by an authorised person in accordance with installation instructions provided with the appliance

Electrical: 240VAC 50Hz 1.0 amp max.

 **N2134**

Serial Number **230**

918-084b



DO NOT OPERATE THIS APPLIANCE BEFORE READING THE INSTRUCTIONS BOOKLET.

DO NOT PLACE ARTICLES ON OR AGAINST THIS APPLIANCE

DO NOT STORE CHEMICALS OR FLAMMABLE MATERIALS, OR SPRAY AEROSOLS NEAR THIS APPLIANCE.

DO NOT OPERATE WITH PANELS, COVERS OR GUARDS REMOVED FROM THIS APPLIANCE.

DO NOT ENCLOSE THIS APPLIANCE.

908-602

THE GUARD IS FITTED TO THIS APPLIANCE TO REDUCE THE RISK OR FIRE OR INJURY FROM BURNS AND NO PART OF IT SHOULD BE PERMANENTLY REMOVED.

FOR PROTECTION OF YOUNG CHILDREN OR THE INFIRM, A SECONDARY GUARD IS REQUIRED.

(Australia Only)

IMPORTANT: SAVE THESE INSTRUCTIONS

The MASPORT Rear Flued Room Sealed Freestanding Gas Fire must be installed in accordance AG601 and NZS 5261 and with these instructions. Carefully read all the instructions in this manual first. Consult the building authority having jurisdiction to determine the need for a permit prior to starting the installation.

Note: Failure to follow the instructions could cause a malfunction of the heater which could result in death, serious bodily injury, and/or property damage. Failure to follow these instructions may also void your fire insurance and/or warranty.

SPECIFICATIONS

Fuels: F37-NG is approved for use with NG. F37-LPG is approved for use with liquefied petroleum gases (LPG).

Electrical: 240 V A.C. system.

Circulation Fan: Two Speed

Log Sets: Ceramic fibre, 7 per set.

Flue System:

Axial (6-5/8" outer / 4" inner liner) rigid flue and Riser Vent Terminal.

BEFORE YOU START

Safe installation and operation of this appliance requires common sense, however, please be aware of the following:

INSTALLATION AND REPAIRS SHOULD BE DONE BY AN AUTHORIZED SERVICE PERSON. THIS APPLIANCE SHOULD BE INSTALLED, REPAIRED, INSPECTED BEFORE USE AND AT LEAST ANNUALLY BY AN AUTHORIZED SERVICE PERSON. MORE FREQUENT CLEANING MAY BE REQUIRED DUE TO EXCESSIVE LINT FROM CARPETING, ETC. IT IS IMPERATIVE THAT THE CONTROL COMPARTMENT, BURNERS AND CIRCULATING AIR PASSAGEWAYS OF THE APPLIANCE BE KEPT CLEAN.

DUE TO HIGH TEMPERATURES, THE APPLIANCE SHOULD BE LOCATED OUT OF TRAFFIC AND AWAY FROM FURNITURE AND DRAPERIES.

WARNING: FAILURE TO INSTALL THIS APPLIANCE CORRECTLY WILL VOID YOUR WARRANTY AND MAY CAUSE A SERIOUS HOUSE FIRE.

CHILDREN AND ADULTS SHOULD BE ALERTED TO THE HAZARDS OF HIGH SURFACE TEMPERATURES, ESPECIALLY THE FIREPLACE GLASS, AND SHOULD STAY AWAY TO AVOID BURNS OR CLOTHING IGNITION.

YOUNG CHILDREN SHOULD BE CAREFULLY SUPERVISED WHEN THEY ARE IN THE SAME ROOM AS THE APPLIANCE.

CLOTHING OR OTHER FLAMMABLE MATERIAL SHOULD NOT BE PLACED ON OR NEAR THE APPLIANCE.

- 1) Provide adequate clearances for servicing, proper operation and around the air openings into the combustion chamber.
- 2) The appliance must be installed on a flat, solid, continuous surface (e.g. wood, metal, concrete). This may be the floor, or it can be raised up on a platform to enhance its visual impact. The appliance may be installed on carpeting, tile, wood flooring or other combustible material, because the appliance's metal pedestal base extends the full width and depth of the appliance. The MASPORT Rear Flued Room Sealed Freestanding Gas Fire can be installed in a wide variety of ways and will fit nearly any room layout. It may be installed in a recessed position, framed out into the room, or across a corner.
- 3) The MASPORT Rear Flued Room Sealed Freestanding Gas Fire is approved for manufactured home installations, see pages 6 to 9 for the required flue arrangements. If installed into a manufactured home the unit must be bolted down to the floor.

- 4) We recommend that you plan your installation on paper using exact measurements for clearances and floor protection before actually installing this appliance. Have an authorized building inspector review your plans before installation.

GENERAL SAFETY INFORMATION

- 1) The appliance shall be installed in accordance with the manufacturer's installation instructions, local gas fitting regulations, municipal building codes, water supply regulations, electrical wiring regulations, with AG 601 (AGA gas installation code) NZS 5261 (New Zealand)
- 2) Installation and repair should be done ONLY by an authorised person.
- 3) DO NOT CONNECT TO MASONRY FLUE.
- 4) This appliance must be connected to the specified flue and termination cap to the outside of the building envelope. Never flue to another room or inside a building. Make sure that the flue is fitted as per Flueing instructions.
- 5) Inspect the flueing system annually for blockage and any signs of deterioration.
- 6) Flueing terminals shall not be recessed into a wall or siding.
- 7) Any safety glass removed for servicing must be replaced prior to operating the appliance.
- 8) To prevent injury, do not allow anyone who is unfamiliar with the operation to use the fireplace.
- 9) Wear gloves and safety glasses for protection while doing required maintenance.
- 10) Be aware of electrical wiring locations in walls and ceilings when cutting holes for termination.
- 11) Under no circumstances should this appliance be modified. Parts that have to be removed for servicing should be replaced prior to operating this appliance.
- 12) Installation and any repairs to this appliance should be done by an authorised service person. An authorised service person should be called to inspect this appliance annually. Make it a practice to have all of your gas appliances checked annually.
- 13) Do not slam shut or strike the glass door.

INSTALLATION

14) Under no circumstances should any solid fuels (wood, paper, cardboard, coal, etc.) be used in this appliance.

15) The appliance area must be kept clear and free of combustible materials, (gases and other flammable vapours and liquids).

INSTALLATION CHECKLIST

- 1) Check Clearances to Combustibles (page 6), location of unit (page 6) and fluing requirements (pages 6-9).
- 2) Install fluing: Check all fluing requirements, pages 8-10.
- 3) Make gas connections, page 10. Test the pilot. Must be as per diagram, page 12.
- 4) If necessary, convert from NG to LPG (page 11).
- 5) Install log set, page 12.
- 6) Install Front Door Front, page 13.
- 7) Test Gas Pressure, page 14.
- 8) Install Louvres, page 14.
- 9) Install optional Remote Control, or Wall Thermostat, pages 14 and 15.
- 10) Final check, page 15.

Before leaving this unit with the customer, the installer must ensure that the appliance is firing correctly and **operation fully explained to customer.**

This includes:

- 1) Clocking the appliance to ensure the correct firing rate (rate noted on label) after burning appliance for 15 minutes.
- 2) If required, adjusting the primary air to ensure that the flame does not carbon. First allow the unit to burn for 15-20 min. to stabilize.

CAUTION: Any alteration to the product that causes sooting or carboning that results in damage is not the responsibility of the manufacturer.

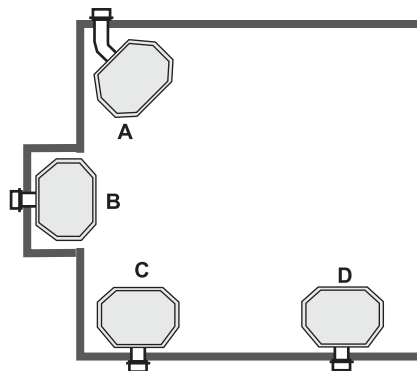
LOCATING YOUR MASPORT GAS FIRE

When selecting a location for your stove, ensure that the clearances listed above are met as well as ensuring that there is adequate accessibility for servicing and proper operation.

For Flue Termination requirements, see page 7.

This appliance is Listed for bedroom installations when used with a Listed Millivolt Thermostat. Some areas may have further requirements, check local codes before installation.

This appliance is Listed for Alcove installations, maintain minimum Alcove clearances as follows, minimum ceiling height of 1.7m, minimum width of 1.0m and a maximum depth of 0.9m.



- A) Cross Corner
- B) Flush with Wall/Alcove
- C) Flat on Wall Corner
- D) Flat on Wall

CLEARANCES TO COMBUSTIBLES

The clearances listed are MINIMUM distances. Measure the clearance to both the appliance and the chimney connector. **The farthest distance is correct if the two clearances do not coincide.** For example, if the appliance is set as indicated in one of the diagrams but the connector is too close, move the stove until the correct clearance to the connector is obtained.

This appliance may be installed only with the clearances as shown in the situations pictured. **Do not combine clearances from one type of installation with another in order to achieve closer clearances.**

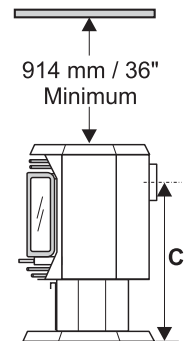
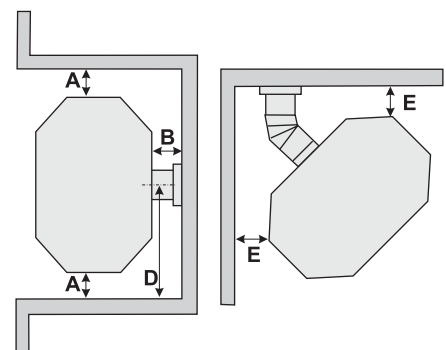
This unit can be installed on a solid combustible surface like a wood floor. This unit can also be installed directly on carpeting or vinyl when the bottom pedestal cover plate (provided with unit) is installed.

Use the minimum clearances shown in the diagrams below:

F37-NG & F37-LPG Clearances	
A Side Wall to Unit	190 mm
B Back Wall to Unit	76 mm
E Side Wall to Unit	114 mm

F37-NG & F37-LPG Reference Dimensions

- C Floor to Flue Centerline 635 mm
- D Side Wall to Flue Centerline 521 mm

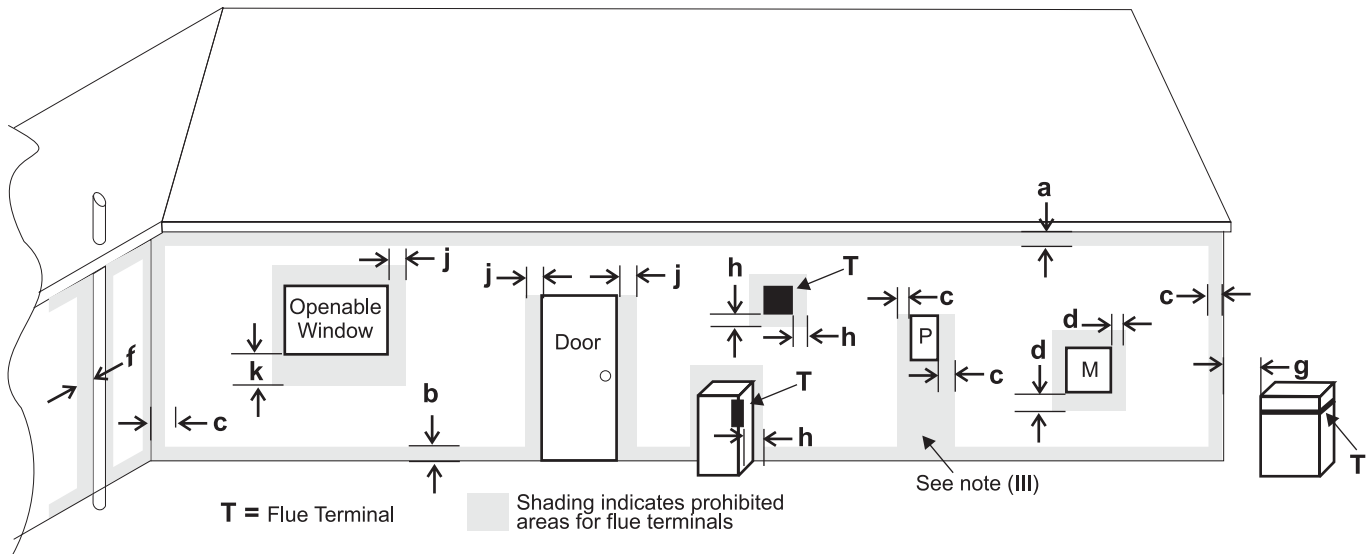


Minimum ceiling height is 914 mm from top of unit.

COMBUSTION AND VENTILATION AIR

The combustion air from this appliance is drawn from outside the building through the outer flue. **Extra provision for combustion air inside the room is not required.**

EXTERIOR FLUE TERMINATION LOCATIONS



Minimum clearances required for balanced flue terminals or the flue terminals of outdoor appliances according to AG 601 (AGA gas installation code) or NZS 5261 (New Zealand). For vertical termination heights refer to AG 601 or NZS 5261.

	Minimum Clearance (mm)
a Below eaves, balconies or other projections:	
- Appliances up to 50 MJ/h input	300
- Appliances over 50 MJ/h input	500
b From the ground or above a balcony	300
c From a return wall or external corner	500
d From a gas meter (M)	1000
e From an electricity meter or fuse box (P)	500
f From a drain or soil pipe	150
g Horizontal from any building structure (unless appliance is approved for closer installation) or obstruction facing a terminal	500
h From any other flue terminal, cowl or combustion air intake	500
j Horizontally from an openable window, door, or non-mechanical air inlet, or any other opening into a building, with the exception of sub-floor ventilation (see also Note (I)):	
- Appliances up to 150 MJ/h input	500
- Appliances over 150 MJ/h input	1500
k Vertically below an openable window, door, or non-mechanical air inlet, or any other opening into a building, with the exception of sub-floor ventilation (see also Note (I)): see table below	

Clearance 'k' in mm			
Space Heaters	All Other Appliances		
Up to 50 MJ/h input	Up to 50 MJ/h input	Over 50 MJ/h input to 150 MJ/h input	Over 150 MJ/h input
150	500	1000	1500

NOTES:

- (I) For mechanical air inlets, including spa blowers, the clearance 'j' and 'k' shall be 1500 mm in all cases.
- (II) All distances shall be measured vertically or horizontally along the wall to a point in line with the nearest part of the terminal.
- (III) Prohibited area below electricity meter or fuse box extends to ground level.
- (IV) A flue terminal of this type shall not be located under a roofed area unless the roofed area is fully open on at least two sides and a free flow of air at the appliance is achieved.

INSTALLATION

FLUEING

The Horizontal Termination Kit includes everything required for a straight through the wall installation, or add a 45° elbow for a corner installation.

IMPORTANT

Read all instructions carefully before starting the installation. Failure to follow these instructions may create a fire or other safety hazard, and will void the warranty. Be sure to check the fluing and clearance to combustibles requirements on pages 6 to 9. Consult your local building codes before beginning installation.

The location of the termination cap must conform to the requirements in the Exterior Flue Terminal Locations diagram on page 7.

Refer to the Masport Flue Kit instructions supplied with each kit.

FLUEING INSTALLATION PRECAUTIONS

The Masport Room Sealed System are engineered products that have been designed and tested for use with the F37-NG, and F37-LPG. The Masport warranty will be voided and serious fire, health or other safety hazards may result from any of the following actions:

- 1) Installation of any damaged Room Sealed component
- 2) Unauthorized modification of the Room Sealed System
- 3) Installation of any component part not manufactured or approved by Masport.
- 4) Installation other than as instructed by Masport.

Warning: Always maintain required clearances (air spaces) to nearby combustibles to prevent a fire hazard. Do not fill air spaces with insulation.

The minimum clearance requirements between the outer wall of the flue pipe and nearby combustible surfaces is 40mm. Be sure to check the flue termination clearance requirements from decks, windows, soffits, gas regulators, air supply inlets and public walkways as specified on page 7 and in your local building codes.

The gas appliance and flue system must be flued directly to the outside of the building, and never be attached to a chimney serving a separate solid fuel or gas-burning appliance.

Each Room Sealed gas appliance must use its own separate flue system. Common flue systems are prohibited.

SAFETY PRECAUTIONS FOR THE INSTALLER

- 1) Wear gloves and safety glasses for protection.
- 2) Exercise extreme caution when using ladders or on roof tops.
- 3) Be aware of electrical wiring locations in walls and ceilings.

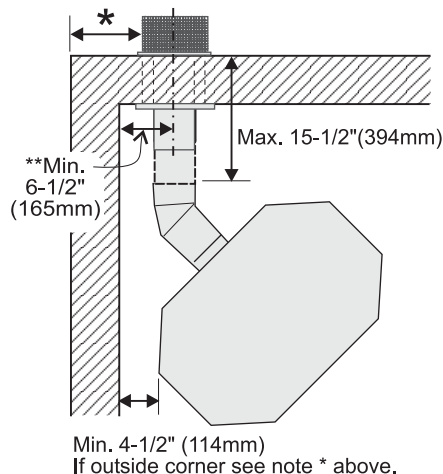
PLANNING YOUR FLUEING INSTALLATION

See page 7 for Exterior Flue Termination requirements.

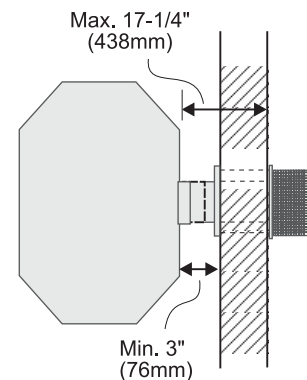
When planning your installation, it will be necessary to select the proper length of flue pipe for your particular requirements. Determine the minimum clearance to combustibles from the rear of the unit to the wall. It is also important to note the wall thickness. Before cutting the flue hole through the wall ensure that ALL flue and termination clearances (see page 7) will be met.

NOTE: Ensure compliance with the outside flue terminal location before cutting hole as both dimensions must be met.

*If this is an outside corner, the minimum distance between the flue and the outside corner is 500mm. See "C" in the diagram on page 7.



For corner installation, Restrictor must be set at 1-1/4" (32mm) open.



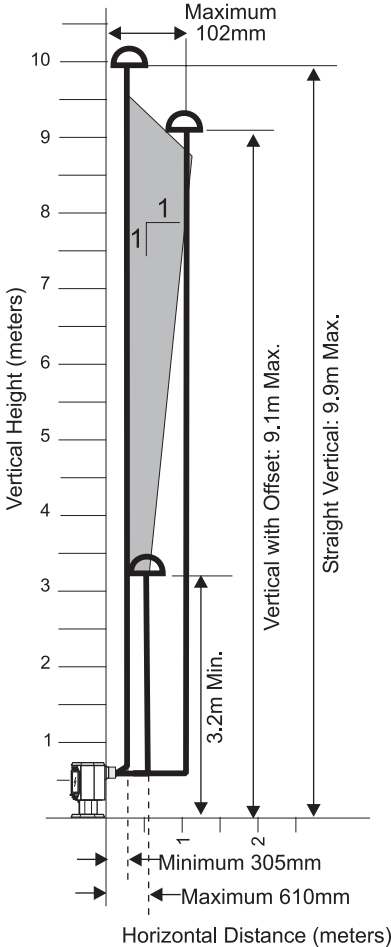
For straight rear installation, Restrictor must be set at 1-1/8" (28.5mm) open.

FLUEING ARRANGEMENTS - VERTICAL TERMINATIONS FOR BOTH RESIDENTIAL & MANUFACTURED HOMES/MOBILE HOMES

Vertical Terminations

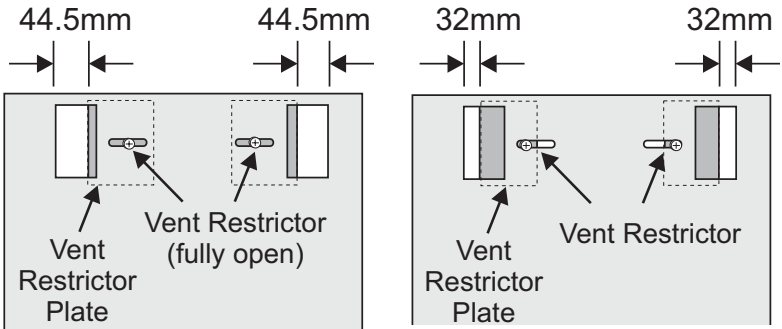
The shaded areas in the two diagrams below show all allowable combinations of straight vertical and offset to vertical runs with vertical terminations. **Maximum one 90° elbow.** All vertical and offset to vertical flue installations require Flue Restrictor to be set to 32mm open. If the flue is ENCLOSED in a chase (min. size 255mm x 255mm) maintain a 40mm clearance to combustibles.

Offset to Vertical Terminations



Flue Restrictor Position

To set the Flue restriction as indicated in the diagram, simply loosen the screws and push the flue restrictor plate to the correct position. Tighten the screws.



INSTALLATION

HORIZONTAL INSTALLATIONS

Refer to instructions with Masport DV Rear Exit Flue Kit.

- 1) Set the unit in its desired location. Check to determine if wall studs are in the way when the fluing system is attached. If this is the case, you may want to adjust the location of the unit.
- 2) Assemble the desired combination of pipe and elbow to the appliance adapter with pipe seams oriented down. Offset the pipe seams as double seams in one place will cause the outer pipe to take an oval shape. Kit comes complete with 18" (457mm) of straight flue - 6-5/8" (168mm) dia. black outer pipe and 4" (102mm) dia. inner flue.
- 3) With the pipe attached to the stove, slide the stove into its correct location, and mark the wall for a 9-1/2" (241mm) (inside dimensions) round hole. The center of the round hole should line up with the centerline of the horizontal pipe, as shown in diagram 1. Cut and frame the 9-1/2" (241mm) round hole in the exterior wall where the flue will be terminated. If the wall being penetrated is constructed of non-combustible material, i.e. masonry block or concrete, a 7" (178mm) diameter hole is acceptable.

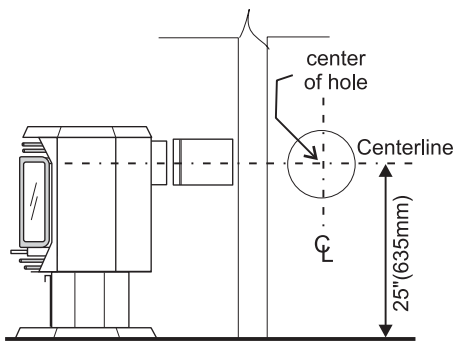


Diagram 1

Note:

- a) The horizontal run of flue should have a 1/4 inch (6mm) rise for every 1 foot (305mm) of run towards the termination. Never allow the flue to run downward. This could cause high temperatures and may present the possibility of a fire.
- b) The location of the horizontal flue termination on an exterior wall must meet all local and national building codes, and must not be blocked or obstructed. For External Flue Terminal Locations, see diagram on page 7.

c) Riser Terminations:

For installations requiring a vertical rise on the exterior of the building, Riser Vent Terminations as shown in Diagram 2 is available. Follow the same installation procedures as used for standard Horizontal Termination.

NEVER install the Riser vent upside down.

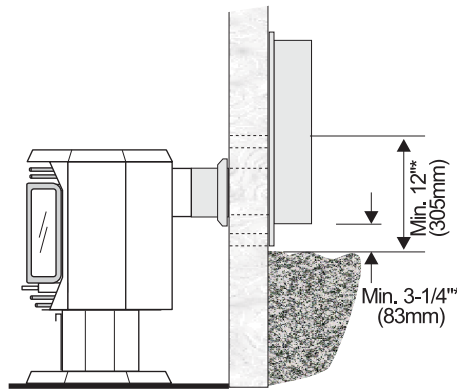


Diagram 2

*Diagram 2: Local codes or regulations may require different clearances.

NOTE: For Riser terminations in ABOVE grade installations, follow national or local code requirements.

Below Grade Riser Installation

If the Riser Termination must be installed below grade, i.e. basement application, proper drainage must be provided to prevent water from entering the Riser Termination. Do not attempt to enclose the Riser within the wall, or any other type of enclosure.

NOTE:

All joints shall be sealed with Mill-Pac.

GAS CONNECTION

The gas connection is a 1/2" NPT Male Thread. Copper can be used or other connections approved by AG 604.

When using copper or flex connectors use only approved fittings. Always provide a union so that gas lines can be easily disconnected for burner and/or valve servicing. Flare nuts for copper lines are usually considered to meet this requirement.

Important: Always check for gas leaks with a soap and water solution or gas leak detector. Do not use open flame for leak testing.

Note: Prior to any pressure testing of the gas supply piping system that exceeds test pressures of 3.45 kPa, this appliance must be disconnected from the piping system. If test pressures equal to or less than 3.45 kPa are used then this appliance must be isolated from the piping system by closing its individual manual shut-off valve during the testing.

System Data - F37	
Burner Inlet Orifice Sizes:	
Burner	NG LPG #37 #52
Max. Input Rating	31.7 mj
Min. Input Rating	16 mj
Supply Pressure	
NG	min. 1.13kPa
LPG	min. 2.75kPa
Manifold Pressure	
NG	.89 kPa
LPG	2.55 kPa

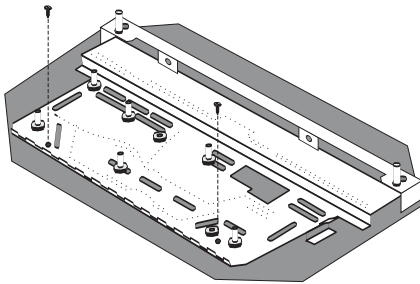
Conversion Kit from NG to LPG

**THIS CONVERSION MUST BE DONE BY AN AUTHORIZED GAS FITTER
IF IN DOUBT DO NOT DO THIS CONVERSION !!**

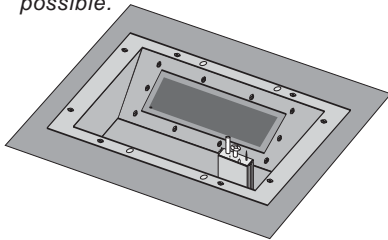
Conversion Kit # 680-969 Contains:

Qty.	Part #	Description
1	910-018	SIT Conversion Kit- 50% Turndown LPG
1	910-037	LPG Injector (Pilot Orifice)
1	904-390	Burner Orifice #52
1	908-528	Red "LPG" label
1	908-255	Label "Converted to LPG"
1	918-031	Instruction Sheet

- 1) Shut off the gas supply.
- 2) Open the front door and carefully remove the logs and lava rock.
- 3) Remove burner. See diagram below.



Note: Use a magnetic type screwdriver if possible.

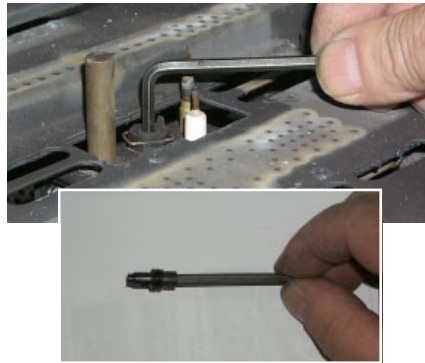


Pilot assembly is now accessible for steps 4) to 9).

- 4) Remove and discard the 3 pressure regulator mounting screws (A), pressure regulator tower (B) and diaphragm (C).
- 5) Insure that the rubber gasket (D) is properly positioned and install the new HI/LO pressure regulator assembly to the valve using the new screws (E) supplied with the kit. Tighten screws securely.
- 6) Pull off the pilot cap to expose the pilot orifice.



- 7) Unscrew the pilot orifice with the allen key and replace with the LPG pilot orifice in the kit.

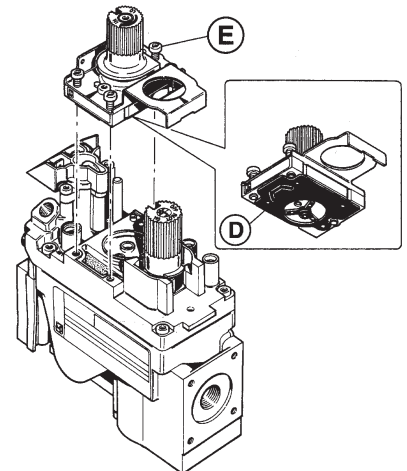
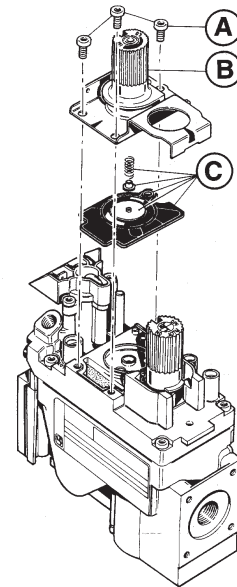


- 8) Remove burner orifice with a 1/2" spanner and discard. Use a spanner to hold on to the elbow behind the orifice.



Burner Orifice

- 9) Reinstall new burner orifice LPG stamped #52 and tighten.
- 10) Reverse steps 3) to 2).
- 11) Attach the Conversion label "This unit has been converted to LPG" on top of the Serial # decal.
- 12) Replace yellow "NG" label with red "LPG" label
- 13) Check for gas leaks.
- 14) Check inlet and outlet pressures.
- 15) Check operation of flame control.
- 16) Check for proper flame appearance and glow on logs.



**Installer Notice:
These instructions must be left
with the appliance.**

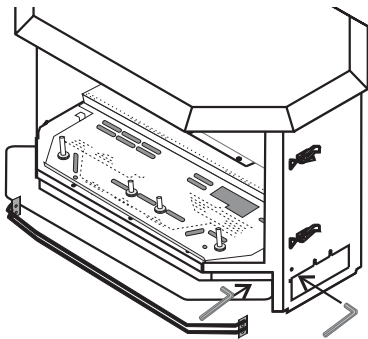
INSTALLATION

AERATION ADJUSTMENT

The burner aeration is factory set but may need adjusting due to either the local gas supply, air supply or altitude.

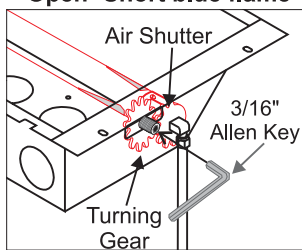
NG: 10mm open
LPG: 10mm open

The aeration adjustment gears are located on the right side of the burner box and can be accessed from the side or from the front when the louvres are removed.



To adjust the aeration: use the allen key to turn the turning gear which will adjust the air shutter. Open the air shutter for a blue flame or close it for a yellower flame. This adjustment is performed by an authorized installer. The factory setting should be sufficient for most installations.

Closed -Tall yellow flame
Open -Short blue flame



Clockwise to open,
counter-clockwise to close.

Caution: Carbon will be produced if the air shutter is closed too much.

Note: Any damage due to carboning resulting from improperly setting the aeration controls is NOT covered under warranty.

LOG SET INSTALLATION

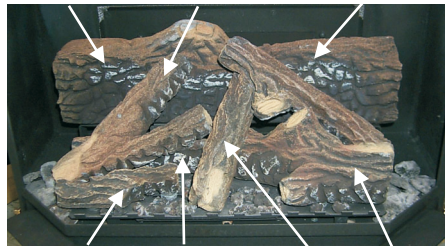
Read the instructions below carefully and refer to the diagrams. If logs are broken do not use the unit until they are replaced. Broken logs can interfere with the pilot operation.

The gas log kit contains the following:

- | | | | |
|----|-------|------------------|---------|
| a) | 02-65 | Rear Log | 902-267 |
| b) | 02-56 | Middle Left Log | 902-230 |
| c) | 02-44 | Front Left Log | 902-228 |
| d) | 02-46 | Left Top Log | 902-231 |
| e) | 02-45 | Front Right Log | 902-229 |
| f) | 02-47 | Center Log | 902-232 |
| g) | 02-48 | Middle Right Log | 902-226 |
| h) | | Embers | 902-151 |
| i) | | Lava | 902-154 |

Note: Install Optional Brick Panels prior to installing logs.

A) 02-65 D) 02-46 G) 02-48



C) 02-44 B) 02-56 F) 02-47 E) 02-45

The "02" refer numbers (i.e. 02-65) are molded into the rear of each log.

- Carefully remove the logs from the box and unwrap them. The logs are fragile, handle with care - do not force into position.
- Sprinkle the embers on the left and right sides of the firebox base.



Embers

Embers

- Place Rear Log A)02-65 on the two pins on the rear log support.

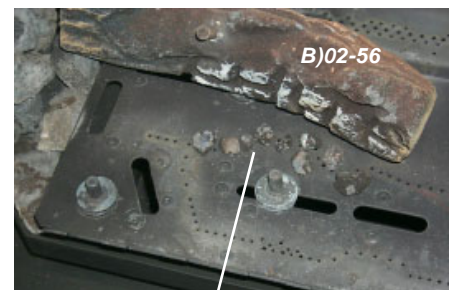


Pins on Rear Log Support

- Place the Middle Left Log B)02-56 on the two pins as shown.



- Sprinkle some lava rock just in front of B) 02-56 on the burner holes.



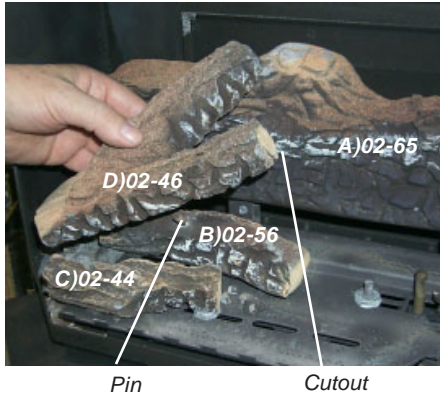
lava rock

- Place Front Left Log C)02-44 onto the 2 front pins as shown.

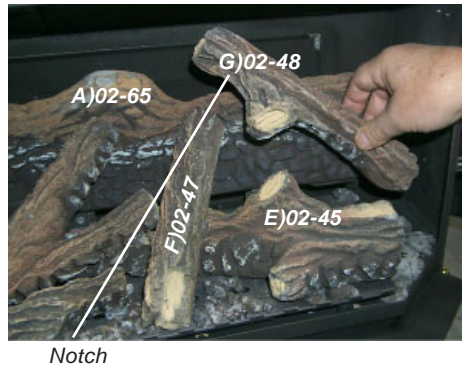


INSTALLATION

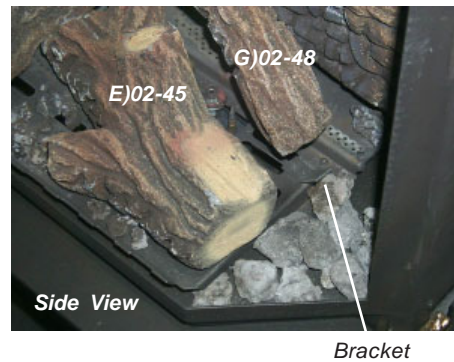
- 7) Place the Left Top Log D)02-46 on the pin on Log B)02-56 and on top of the cutout on Log A)02-65.



- 11) Position notch in Front Right Log G)02-48 on Log F)02-47 and push the bottom right edge against the bracket on the burner tray.

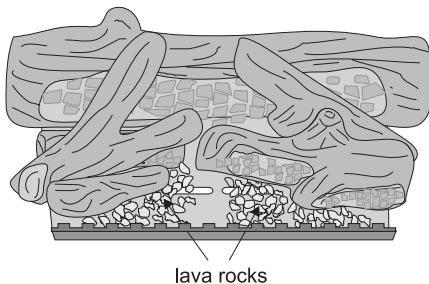


- 8) Place Front Right Log E)02-45 on the two pins as shown.

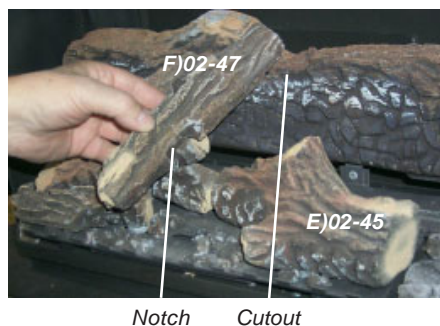


The bottom right edge of Log G)02-48 must sit snugly against the bracket

- 9) Place the lava rock in the area between the left and right logs, leaving a space in the middle for log (F) 02-47.



- 10) Place the notch in Center Log F)02-47 over Log E)02-45 and across the cutout on Log A)02-65.



- 12) Test fire to ensure proper light off (make sure flame flows smoothly from one end of burner to the other. If there is any flame hesitation, check that area for any blockage of the burner port.



DOOR INSTALLATION (Packaged Separately)

- 1) Open the two side panels.

- 2) Slide the door onto the two hinge pins making sure the two pieces are flush together. See diagram 1.

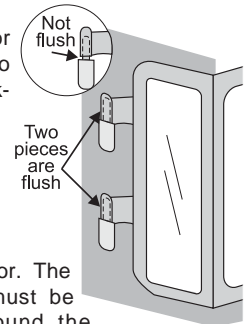


Diagram 1

- 3) Close the door. The latch plate must be centered around the alignment pin. See diagram 2. If the latch plate interferes with the corner of the stove you may want to angle the plate slightly so the door closes easier.

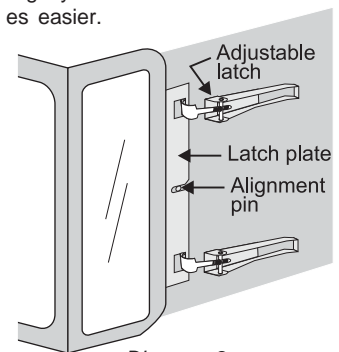


Diagram 2

- 4) The latches should already be at the proper setting. If they are too hard or too easy to close, you may want to adjust them by loosening the locking nut and turning the latch catch. See diagram 3.

- 5) Remove the blue plastic protective coating from the glass.

- 6) Test the seal around the door by placing a piece of paper between the unit and the door, close the door and try to pull the paper out. If it slips out easily, then the door is not properly sealed. Tighten or loosen the latch by turning the latch catch inward or outward. See diagram 3.

Note: The door latch may require adjustment as the door gasket material compresses after a few fires and after glass replacement. Turn the latch catch inward or outward.

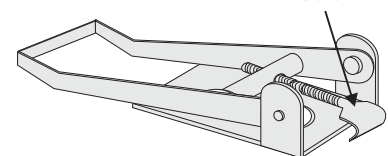


Diagram 3

INSTALLATION

PRESSURE TESTING

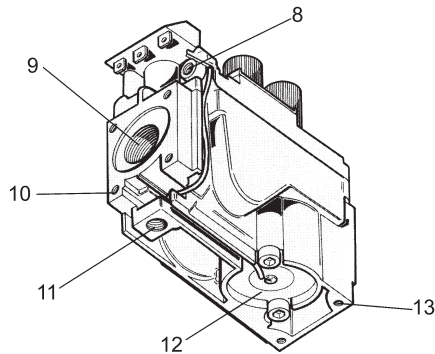
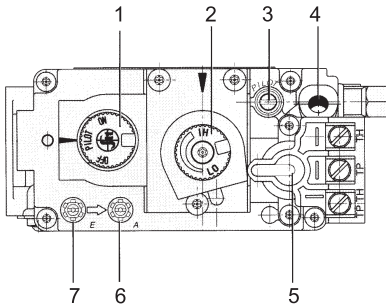
The manifold pressure is controlled by a regulator built into the gas control, and should be checked at the pressure test point.

Note: To properly check gas pressure, both inlet and manifold pressures should be checked using the valve pressure ports on the valve.

- 1) Make sure the valve is in the "OFF" position.
- 2) Loosen the "IN" and/or "OUT" pressure tap(s), turning counterclockwise with a 1/8" wide flat screwdriver.
- 3) Attach manometer to "IN" and/or "OUT" pressure tap(s) using a 5/16" ID hose.
- 4) Light the pilot and turn the valve to "ON" position. Read manometer.
- 5) The pressure check should be carried out with the unit burning and the setting should be within the limits specified on the safety label.
- 6) When finished reading manometer, turn off the gas valve, disconnect the hose and tighten the screw (clockwise) with a 1/8" flat screwdriver. **Note: Screw should be snug, but do not over tighten**

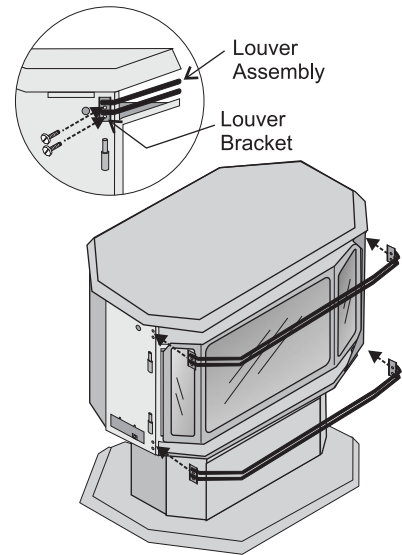
Valve Description

- 1) Gas cock knob
- 2) Manual high/low adjustment
- 3) Pilot Adjustment
- 4) Thermocouple Connection
- 5) Main Operator
- 6) Outlet Pressure Tap (Manifold Pressure)
- 7) Inlet Pressure Tap (Supply Pressure)
- 8) Pilot Outlet
- 9) Main Gas Outlet
- 10) Flange Securing Screw Holes
- 11) Alternative TC Connection Point
- 12) Thermoelectric Unit
- 13) Additional Valve Mounting Hole



LOUVRE INSTALLATION

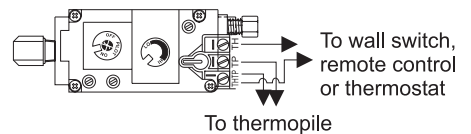
Attach the top & bottom louvres to the side stove panel using 2 screws per side.



OPTIONAL WALL THERMOSTAT

A wall thermostat may be installed if desired. Connect the wires as per the wiring diagrams. Note that the wires are connected to the "TH" on the gas valve. Use table below to determine the maximum wire length:

CAUTION
Do not connect the millivolt wall thermostat wires to the 240V wires.



INSTALLATION

OPTIONAL REMOTE CONTROL

Use the Masport Remote Control Kit approved for this unit. Use of other systems may void your warranty.

The remote control kit comes with a hand held transmitter, a receiver and a wall mounting plate.

- 1) Choose a convenient location on the wall to install the receiver and the receptacle box (protection from extreme heat is very important). Run wires from the fireplace to that location, use Thermostat Wire Table.
- 2) Connect the wires as per the wiring diagram above.

CAUTION
Do not connect the millivolt remote control wires to the 240V wires.

- 3) Install 3 AAA alkaline batteries in transmitter and 4 AA alkaline batteries in the receiver. Install the receiver and its cover in the wall. Switch the remote receiver to "remote" mode. The remote control is now ready for operation.

Thermostat Wire Table

Recommended Maximum Lead Length (Two-Wire) When Using Wall Thermostat (CP-2 System)	
Wire Size	Max. Length
14 GA.	15.24 m
16 GA.	9.75 m
18 GA.	6.10 m
20 GA.	3.66 m
22 GA.	2.71 m

Refer to specific detailed instructions supplied with each Masport kit.

FINAL CHECK

Before leaving this unit with the customer, the installer must ensure that the appliance is firing correctly. This includes:

- 1) Clocking the appliance to ensure the correct firing rate (rate noted on label) at 15 minutes.
- 2) If required, adjusting the primary air to ensure that the flame does not carbon. First allow the unit to burn for 15 min. to stabilize.

CAUTION

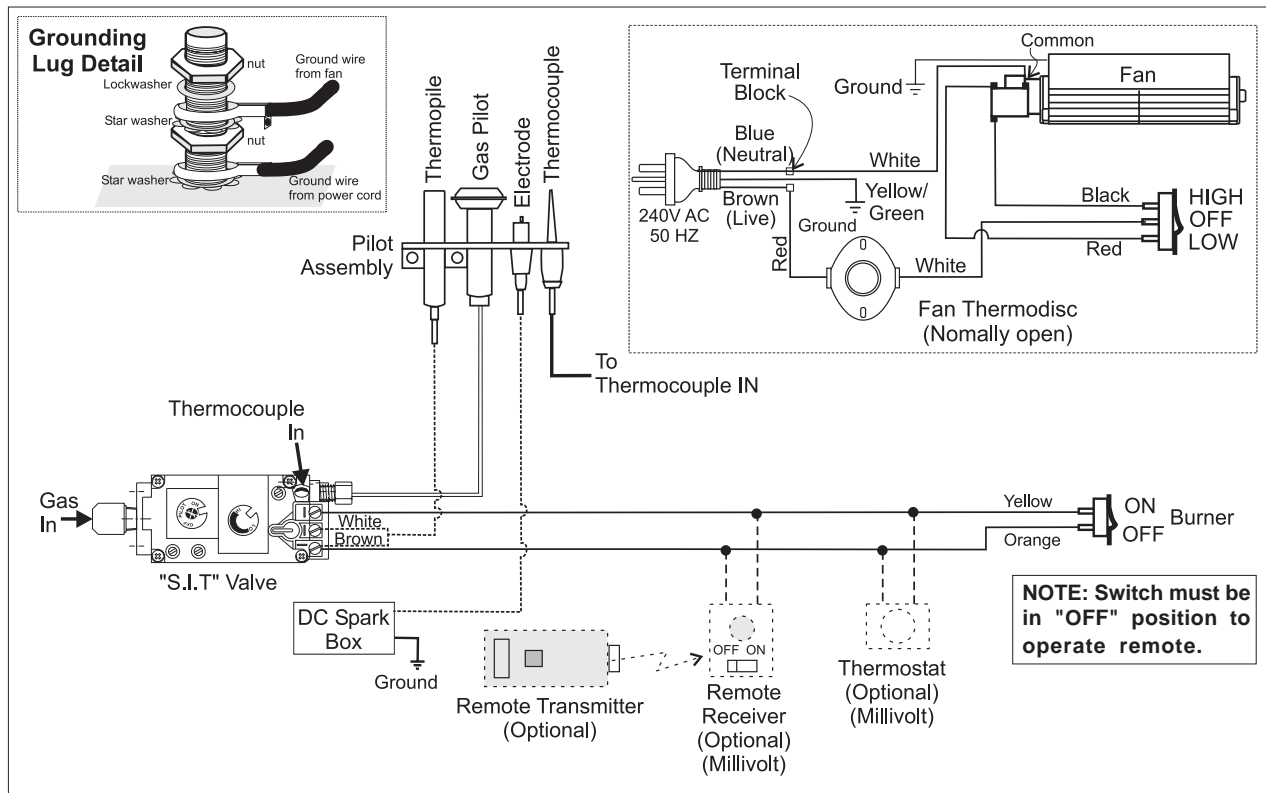
Any alteration to the product that causes sooting or carboning that results in damage to the exterior facia is not the responsibility of the manufacturer.

WIRING

This heater does not require a 240V A.C. supply for the gas control to operate. A 240V A.C. power supply is needed for the fan/blower operation.

Caution: Ensure that the wires do not touch any hot surfaces and are away from sharp edges.

CAUTION: Label all wires prior to disconnection when servicing controls. Wiring errors can cause improper and dangerous operation.



WARNING: Electrical Grounding Instructions

This appliance is equipped with a three pronged (grounding) plug for your protection against shock hazard and should be plugged directly into a properly grounded three-prong receptacle. Do not cut or remove the grounding prong from this plug.

OPERATING INSTRUCTIONS

OPERATING INSTRUCTIONS

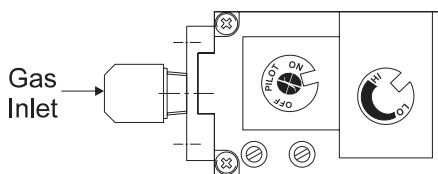
- 1) Read and understand these instructions before operating this appliance.
- 2) Check to see that all wiring is correct and enclosed to prevent possible shock.
- 3) Check to ensure there are no gas leaks.
- 4) Make sure the glass in the door frame is properly positioned. Never operate the appliance with the glass removed.
- 5) Verify that the fluing and cap are unobstructed.
- 6) Verify log placement. If the pilot cannot be seen when lighting the unit - the logs have been incorrectly positioned.
- 7) The unit should never be turned off, and on again without a minimum of a 60 second wait.

LIGHTING INSTRUCTIONS

- 1) Push in gas control knob slightly and turn to "PILOT" position.
- 2) Push in control knob all the way and hold in until the pilot lights up. Continue to hold the control knob in for about 20 seconds after the pilot is lit. Release knob.
- 3) Push in gas control knob slightly and turn to "ON" position.
- 4) Turn ON the flame switch.

SHUTDOWN INSTRUCTIONS

- 1) Turn OFF the flame switch.
- 2) Push in gas control knob slightly and turn to "OFF" position.



FIRST FIRE

The first fire in your stove is part of the paint curing process. To ensure that the paint is properly cured, it is recommended that you burn your fireplace for at least four (4) hours the first time you use it with the fan on. When first operated, the unit will release an odour caused by the curing of the paint, the burning off of any oils remaining from manufacturing. Smoke detectors in the house may go off at this time. Open a few windows to ventilate the room for a couple of hours.

The glass panel may require cleaning after the unit has cooled down. **DO NOT ATTEMPT TO CLEAN THE GLASS WHILE IT IS HOT.**

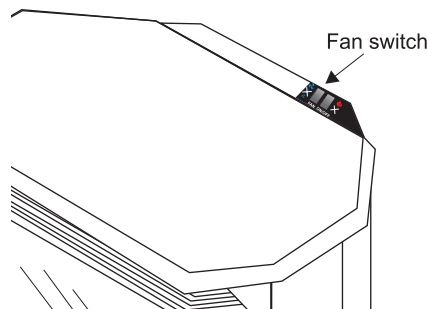
Note: When the glass is cold and the appliance is lit, it may cause condensation and fog the glass. This condensation is normal and will disappear in a few minutes as the glass heats up.

DO NOT BURN THE APPLIANCE WITHOUT THE GLASS FRONT IN PLACE.

During the first few fires, a white film may develop on the glass front as part of the curing process. The glass should be cleaned or the film will bake on and become very difficult to remove. Use a non-abrasive cleaner and NEVER clean the glass while it is hot.

CONVECTION FAN OPERATION

Set the fan speed on control panel at the top rear of the unit to adjust to the desired speed. The fan will turn on as the stove comes up to operating temperature. After the unit has been turned off and the unit cooled to below a useful heat output range the fan will shut off automatically.



NORMAL OPERATING SOUNDS OF GAS APPLIANCES

It is possible that you will hear some sounds from your gas appliance. This is perfectly normal due to the fact that there are various gauges and types of steel used within your appliance. Listed below are some examples. All are **normal operating sounds** and should not be considered as defects in your appliance.

Blower:

Masport gas appliances use high tech blowers to push heated air farther into the room. It is not unusual for the fan to make a "whirring" sound when ON. This sound will increase or decrease in volume depending on the speed setting of your fan speed control.

Burner Tray:

The burner tray is positioned directly under the burner tube(s) and logs and is made of a different gauge material from the rest of the firebox and body. Therefore, the varying thicknesses of steel will expand and contract at slightly different rates which can cause "ticking" and "cracking" sounds. You should also be aware that as there are temperature changes within the unit these sounds will likely re-occur. Again, this is normal for steel fireboxes.

Blower Thermodisc:

When this thermally activated switch turns ON it will create a small "clicking" sound. This is the switch contacts closing and is normal.

Pilot Flame:

While the pilot flame is on it can make a very slight "whisper" sound.

Gas Control Valve:

As the gas control valve turns ON and OFF, a dull clicking sound may be audible, this is normal operation of a gas regulator or valve.

Unit Body/Firebox:

Different types and thicknesses of steel will expand and contract at different rates resulting in some "cracking" and "ticking" sounds will be heard throughout the cycling process.

OPERATING INSTRUCTIONS

COPY OF THE LIGHTING PLATE INSTRUCTIONS

FOR YOUR SAFETY READ BEFORE LIGHTING

This appliance must be installed in accordance with local codes, if any; if not, follow the current CAN1-B149/ANSI Z 223.1 (Australia: AG601, New Zealand: NZS 5261)

WARNING: If you do not follow these instructions exactly, a fire or explosion may result causing property damage, personal injury or loss of life. Improper installation, adjustment, alteration, service or maintenance can cause injury or property damage. Refer to the owner's information manual provided with this appliance. For assistance or additional information consult a qualified installer, service agency or gas supplier.

A) This appliance has a pilot which must be lighted by hand, following the instructions below exactly.

B) BEFORE LIGHTING smell all around the appliance area for gas. Be sure to smell next to the floor because some gas is heavier than air and will settle on the floor.

WHAT TO DO IF YOU SMELL GAS

- Do not try to light any appliance
- Do not touch any electric switch, do not use any phone in your building
- Immediately call your gas supplier from a neighbors phone. Follow the gas supplier's instructions.
- If you cannot reach your gas supplier, call the fire department.

C) Use only your hand to push in or turn the gas control knob. Never use tools. If the knob will not push in or turn by hand, don't try to repair it, call

a qualified service technician. Force or attempted repair may result in a fire or explosion.

D) Do not use this appliance if any part has been under water. Immediately call a qualified service technician to inspect the appliance and to replace any part of the control system and any gas control which has been under water.

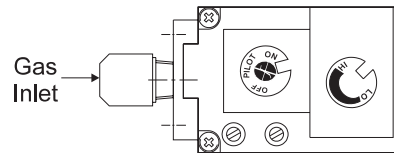
This appliance needs fresh air for safe operation and must be installed so there are provisions for adequate combustion and ventilation air.

CAUTION: Hot while in operation. Do not touch. Severe Burns may result. Due to high surface temperatures keep children, clothing and furniture, gasoline and other liquids having flammable vapors away. Keep burner and control compartment clean. See installation and operating instructions accompanying appliance.

LIGHTING INSTRUCTIONS

STOP! Read the safety information above on this label.

- 1) Push in gas control knob slightly and turn to "PILOT" position.
- 2) Push in control knob all the way and hold in until the pilot lights up. Continue to hold the control knob in for about 20 seconds after the pilot is lit. Release knob.
- 3) Push in gas control knob slightly and turn to "ON" position.
- 4) Turn ON the flame switch.



TO TURN OFF GAS APPLIANCE

- 1) Turn OFF the flame switch.
- 2) Push in gas control knob slightly and turn to "OFF" position.

You may shut off the pilot during prolonged non use periods to conserve fuel.

DO NOT REMOVE THIS INSTRUCTION PLATE

918-254

MAINTENANCE

MAINTENANCE INSTRUCTIONS

- 1) Always turn off the valve before cleaning. For relighting, refer to lighting instructions. Keep the burner and control compartment clean by brushing and vacuuming at least once a year. When cleaning the logs, use a soft clean paint brush as the logs are fragile and easily damaged.
- 2) Clean glass (never when unit is hot), appliance, louvres, and door with a damp cloth. Never use an abrasive cleaner. The gold louvres (and optional gold door) may be scratched if abrasives are used to clean them.

The heater is finished in a heat resistant paint and should only be refinished with heat resistant paint (not with wall paint). Masport uses StoveBright Paint - Metallic Black.

- 3) Make a periodic check of burner for proper position and condition. Visually check the flame of the burner periodically, making sure the flames are steady; not lifting or floating. If there is a problem, call an authorized service person.
- 4) The appliance and fluing system must be inspected before use, and at least annually, by an authorized field service person, to ensure that the flow of combustion and ventilation air is not obstructed.

During the annual service call, the burners should be removed from the burner tray and cleaned. Replace the embers but do not block the pilot.

- 5) Keep the area near the appliance clear and free from combustible materials, gasoline, and other flammable vapours and liquids.

WARNING: CHILDREN AND ADULTS SHOULD BE ALERTED TO THE HAZARDS OF HIGH SURFACE TEMPERATURE AND SHOULD STAY AWAY TO AVOID BURNS OR CLOTHING IGNITION. YOUNG CHILDREN SHOULD BE CAREFULLY SUPERVISED WHEN THEY ARE IN THE SAME ROOM AS THE APPLIANCE.

DO NOT USE THIS APPLIANCE IF ANY PART HAS BEEN UNDER WATER. IMMEDIATELY CALL AN AUTHORIZED SERVICE TECHNICIAN TO INSPECT THE APPLIANCE AND TO REPLACE ANY PART OF CON-

TROL SYSTEM AND ANY GAS CONTROL WHICH HAS BEEN UNDER WATER.

CAUTION: ANY SAFETY SCREEN OR GUARD REMOVED FOR SERVICING AN APPLIANCE MUST BE REPLACED PRIOR TO OPERATING THE APPLIANCE.

CLOTHING OR OTHER FLAMMABLE MATERIAL SHOULD NOT BE PLACED ON OR NEAR THE APPLIANCE.

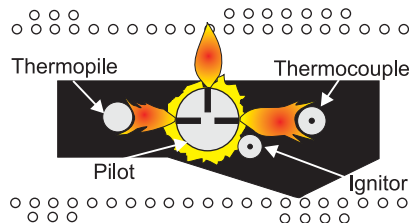
- 6) Each time the appliance is lit, it may cause condensation and fog the glass. This condensation and fog is normal and will disappear in a few minutes as the glass heats up.

Never operate the appliance without the glass properly secured in place or with the door open.

- 7) Periodically check the pilot flames. Correct flame pattern has three strong blue flames: 1 flowing around the thermopile and 1 around the thermocouple, and 1 flowing across the rear of the burner (it does not have to be touching the burner).

Note: If you have an incorrect flame pattern, contact your Masport dealer for further instructions.

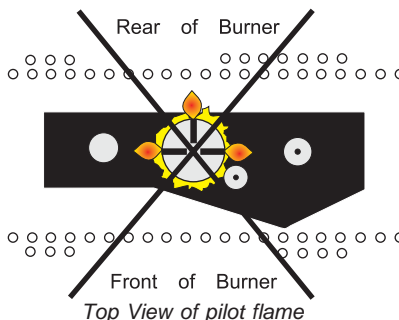
Rear of Burner



Front of Burner

Top View of pilot flame

Incorrect flame pattern will have small, probably yellow flames, not coming into proper contact with the rear of the burner or thermopile.



Top View of pilot flame

GENERAL FLUE MAINTENANCE

Conduct an inspection of the fluing system semi-annually. Recommended areas to inspect as follows:

- 1) Check the Fluing System for corrosion in areas that are exposed to the elements. These will appear as rust spots or streaks, and in extreme cases, holes. These components should be replaced immediately.
- 2) Check for evidences of excessive condensation, such as water droplets forming in the inner liner, and subsequently dripping out the joints. Continuous condensation can cause corrosion of caps, pipe, and fittings. It may be caused by having exterior portions of the system being exposed to cold weather.
- 3) Inspect joints, to verify that no pipe sections or fittings have been disturbed, and consequently loosened.

LOG REPLACEMENT

The unit should never be used with broken logs. Turn off the gas valve and allow the unit to cool before opening door to carefully remove the logs. The pilot light generates enough heat to burn someone. If for any reason a log should need replacement, you must use the proper replacement log. The position of these logs must be as shown in the diagram under Log Installation.

Note: Improper positioning of logs may create carbon build-up and will alter the unit's performance which is not covered under warranty.

GOLD-PLATED DOORS

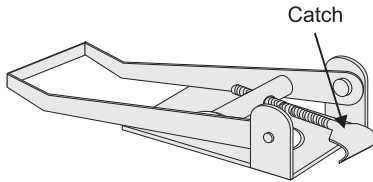
The 24 carat gold plated finish on the door requires little maintenance, and need only be cleaned with a damp cloth. DO NOT use abrasive materials or chemical cleaners, as they may harm the finish and void the warranty. Clean any fingerprints off before turning the unit on. If the door starts to discolour, check the gasket seal and replace if necessary.

DOOR GASKET

If the door gasket requires replacement use 7/8" diameter oval door gasket (Part # 650-920).

LATCH ADJUSTMENT

The door latch may require adjustment as the door gasket material compresses after a few fires and after glass replacement. Turn the handle on the adjustable catch to tighten or loosen the latch.



GLASS REPLACEMENT

Your Masport stove is supplied with high temperature, 5 mm Neoceram ceramic glass that will withstand the highest heat that your unit will produce. In the event that you break your glass, purchase your replacement from an authorized Masport dealer only, and follow the step-by-step instructions for replacement.

Never operate your unit with broken glass.

WARNING: Do not operate appliance with the glass front removed, cracked or broken. Replacement of the glass should be done by a licensed or qualified service person.

MITRED DOOR

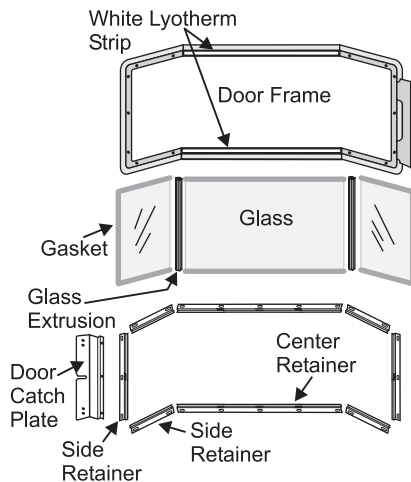
Removing Glass:

Note: Wearing gloves will protect your hands while handling glass.

- 1) Remove the door from the unit and place on a soft surface to prevent scratching.
- 2) Pull out the door gasket.
- 3) Remove the 24 nuts holding the glass retainers in place. *Do not remove the nuts underneath the retainers.*
- 4) Remove the door catch plate.
- 5) Remove glass retainers on sides first (3 each side) then remove two center retainers.

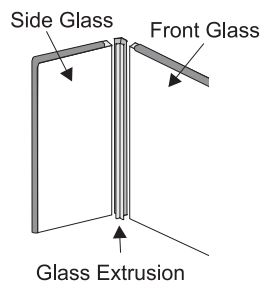
Note: Center glass retainers are glued to center glass.

- 6) Remove glass from extrusions. When removing center glass, leave white insulation in place.



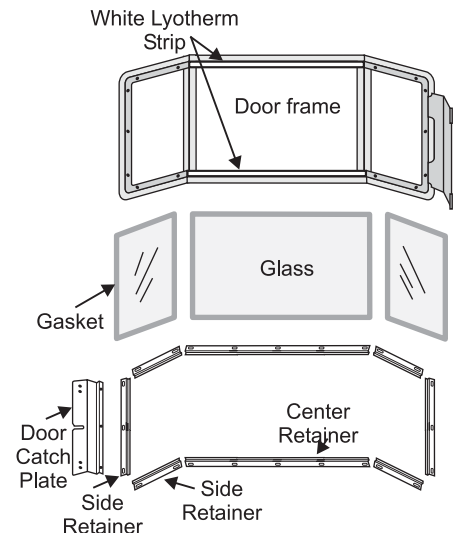
Installing Glass:

- 1) Install both center and side glass onto extrusions as per diagram.
- 2) Place glass assembly into door frame.
- 3) Install retainers by placing 1 drop of glue where previously glued and put in place.
- 4) Install side retainers.
- 5) Install door catch plate.
- 6) Install the 24 nuts loosely, do not tighten yet.
- 7) Tighten side panels nuts using the following procedure:
 - a. tighten top & bottom outside corner nuts (2)
 - b. tighten inside nuts (3)
 - c. tighten top & bottom inside corners (2)
- 8) Tighten the 10 nuts on center glass retainer.
- 9) Repeat step 7 for other side panel.
- 10) Replace new gasket by gluing it in place.
- 11) Install door onto stove and check the seal.



PANEL DOOR

- 1) Remove the door from the unit and place on a soft surface to prevent scratching.
- 2) Pull out the door gasket.
- 3) Remove the nuts holding the glass retainers in place.
- 4) Remove the glass retainers (sides, top and bottom) and the door catch plate.
- 5) Replace the glass. **The glass must have gasketing around it.**
- 6) Reverse the previous steps, replace the retainers and fasten with the nuts but do not overtighten, as this can break the glass. Note: the door catch plate fits on top of the left side retainer.
- 7) Put gasket glue on the retainers, but do not put glue on the screws. Replace the door gasket, the two ends butt tight together on the bottom edge of the door.
- 8) Replace door on the stove and check the seal.



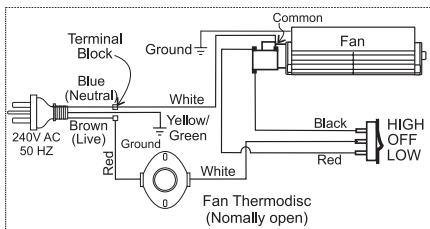
MAINTENANCE

FAN MAINTENANCE

If your fan requires maintenance or replacement it must be performed by an authorised person. Access to the fan is through the plate on the rear wall of the firebox. **NOTE: the unit MUST NOT be operated without the fan access panel securely in place and correctly sealed.**

IMPORTANT: These fans collect a lot of dust from within your home. Ensure you maintain these fan motors on a regular basis by vacuuming out the fan squirrel cages, around the motor, and around the grills on the back of the stove.

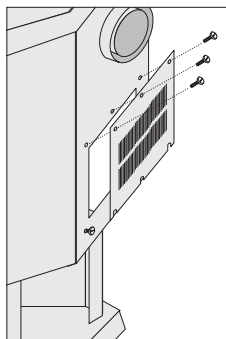
IMPORTANT
Disconnect power supply
before servicing



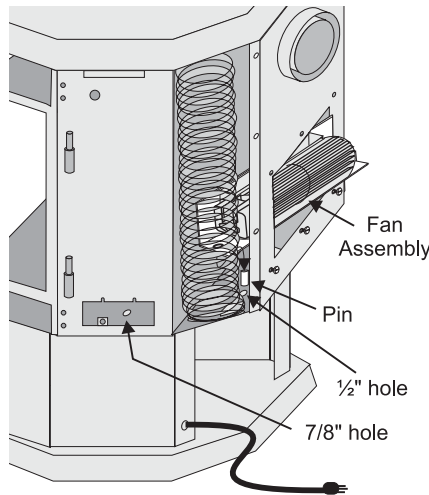
WARNING:
Electrical Grounding Instructions
This appliance is equipped with a three pronged (grounding) plug for your protection against shock hazard and should be plugged directly into a properly grounded three-prong receptacle. Do not cut or remove the grounding prong from this plug.

To remove fan:

- 1) Unplug or disconnect power source to stove.
- 2) Remove the rear access panel on the back of the stove. The fan can only be accessed from the back of the stove.



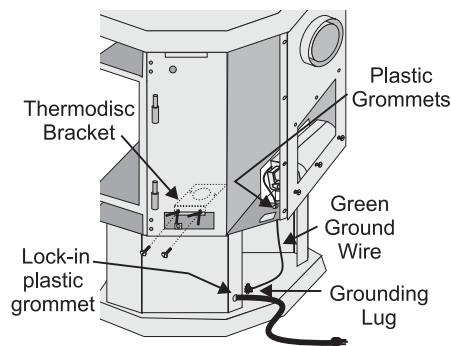
- 3) Unclip the black and white wires from the fan motor.
- 4) Lift fan off of the 2 pins, tip back and pull through the opening. Disconnect the green ground wire from the right side of the fan as soon as you can reach it.



Replacing Fan:

Reverse the above steps (1 - 4). Make sure the fan wires and the ground wire are reattached.

Hint for pushing fan down onto pins - rub a bit of dish soap on the grommet so it will slide more easily onto the pin. Check to make sure the fan is seated properly on the pins - try to move the fan back and forth, there should be no noise, if there is check that the grommets haven't come loose.

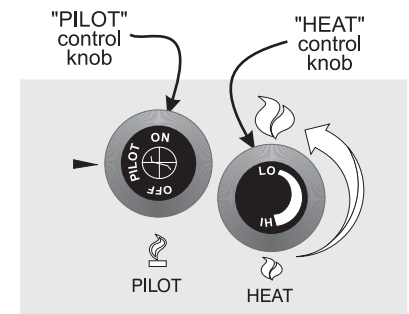
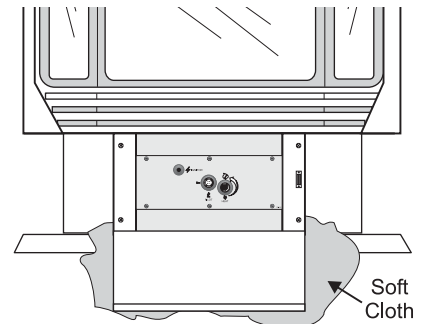


REMOVING VALVE

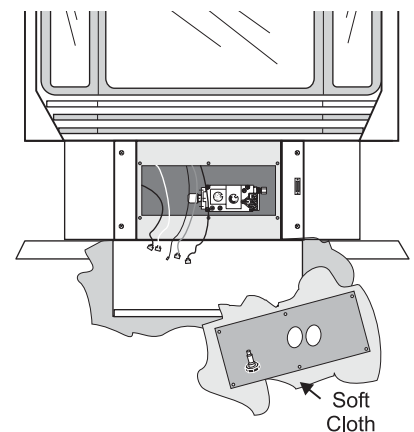
If your valve requires maintenance or replacement, use the following instructions:

Note: Always close off the gas supply before removing the valve.

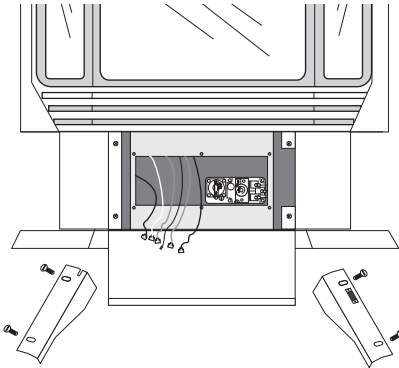
- 1) Open front pedestal door. You may want to put a soft cloth on the base of the unit so that when the pedestal door is open it doesn't scratch the paint. See diagram below.



- 2) Undo the six screws holding the control panel in place.
- 3) Disconnect all wires from the back of the control panel and then remove panel. You should lay the panel on a soft cloth so it doesn't get marked up. See diagram above.



- 4) Remove the two outside frame pieces by removing two screws per side. See diagram below.

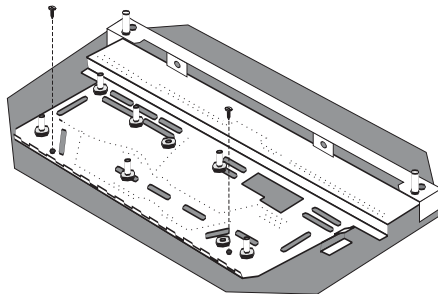


- 5) At this point you should disconnect the gas at the valve. You can access it through the front now that the control panel is off, or you can access it through the rear pedestal cover plate.

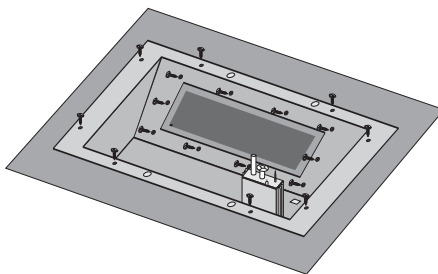
- 6) Carefully remove the logs and embers.

- 7) Remove burner. See diagram below.

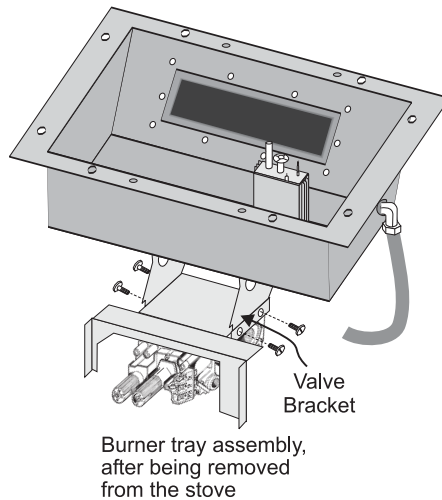
Note: Use a magnetic type screwdriver if possible.



- 8) Remove all 18 screws holding the burner tray assembly in place.



- 9) Carefully lift the burner tray assembly out. Be careful not to tear gaskets when lifting out the valve tray; these gaskets seal the valve from the exterior of the firebox.



- 10) To replace the burner tray assembly, simply reverse these instructions.

FIREBOX PAINT

The interior of the firebox is subject to extremely high flame temperatures. While the painted surface is designed for high durability, the combustion conditions can cause deterioration of the paint finish. This is not unique to Masport Gas Fires.

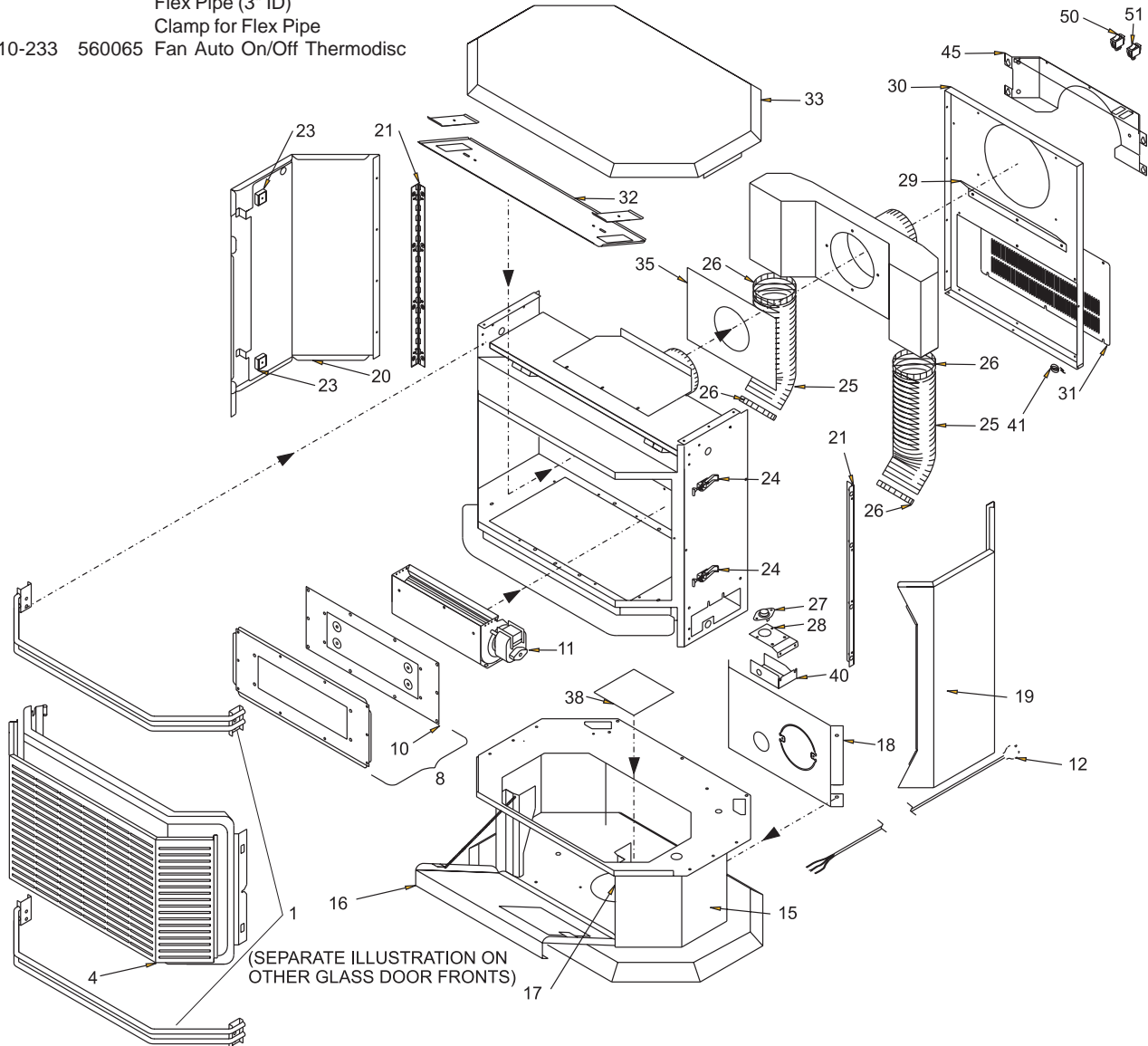
If the surface discolors or blisters simply scuff any loose paint from the firebox and lightly respray with Masport high temperature paint.

PARTS LIST

F37 MAIN ASSEMBLY

Part#: Aust. New Zealand	Description	Part#: Aust. New Zealand	Description
1)	560-920 Louvre Assy (Set) - Gold	28) *	Mounting Bracket - Thermodisc
	560-922 Louvre Assy (Set) - Black	29) *	Air Deflector
4)	730-038 Door Screen (Australia Only)	30)	680-030 Rear Panel
8)	730-560 Relief Door Assembly	31)	630-021 Fan Access Panel
10)	640-034 Mounting Plate Gasket	32)	730-565 Firebox Baffle/Restrictor Assembly
	560-519/P Fan Assembly (240 V)	33)	640-520 False Top Assembly
11)	910-169/P 556071 Fan Motor (240 V)	35)	630-011 Air Passage Gasket
12)	910-714 560061 Power Cord (240 V)	38)	820-058 556077 Pedestal Base Cover
	Pedestal Assembly	40)	730-042 Thermodisc Cover
16)	730-039 Pedestal Door	41)	904-185 Cable Tie - High Temperature
17)	904-257 551893 Pedestal Door Magnet	42)	904-186 Cable Tie Mounting Button
18)	560-025 Pedestal Back		910-033 Heat Resistant Sleeve
	910-073 Spark Generator Battery Holder	45)	750-031 Rear Control Panel
19)	730-530 Side Panel Door Assy (Right Side)	50)	910-140 560036 Fan Hi/Off/Low Switch
20)	730-525 Side Panel Door Assy (Left Side)	51)	910-246 560024 Burner On/Off Switch
21)	560-031 560242 Side Panel Door Hinge		680-969 Conversion Kit - To LPG
23)	904-258 551891 Side Panel Door Magnet		948-217 Logo Plate
24)	948-255 556074 Door Latch - c/w J-Hook		918-089 Decal - Top Rear Control Panel
25) *	Flex Pipe (3" ID)		918-080 Manual
26) *	Clamp for Flex Pipe		
27)	910-233 560065 Fan Auto On/Off Thermodisc		

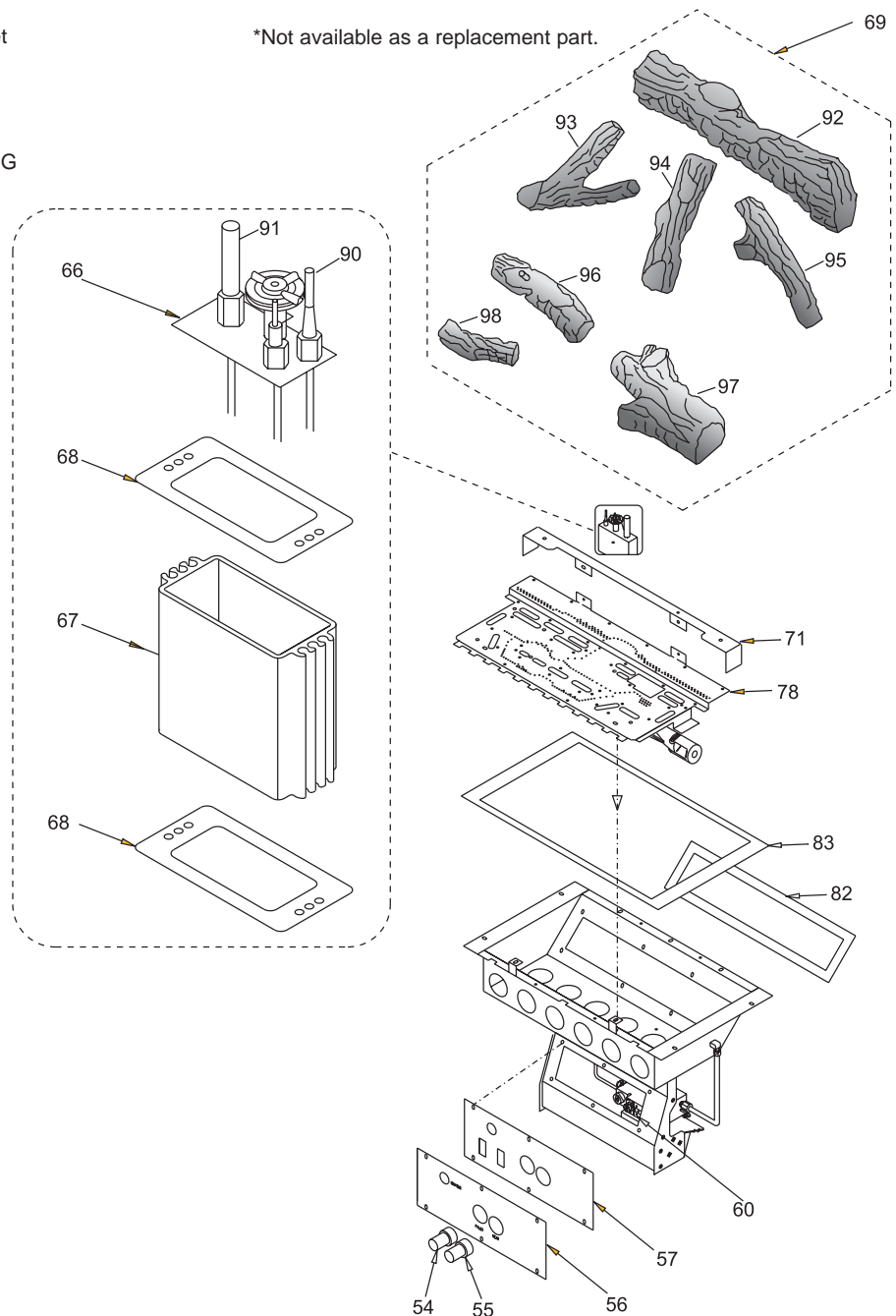
*Not available as a replacement part.



F37 BURNER & LOG ASSEMBLY

Part#:	Aust.	New Zealand	Description	Part#:	Aust.	New Zealand	Description
54)	910-373	588412	Knob - Pilot Valve Extension	82)	630-009		Gasket - Burner Tray / Air Passage
55)	910-372	588413	Flame Adjusting Knob	83)	630-008		Gasket - Burner Tray / Firebox
56)	918-088		Decal - Control Panel	90)	910-386		Thermocouple
57)	*		Switch Plate	91)	910-341		Thermopile
	680-574/P		Valve Assembly - NG	92)	902-267		Rear Log
	680-576/P		Valve Assembly - LPG	93)	902-231		Left Top Log
60)	910-378	588394	Valve - S.I.T. - NG	94)	902-232		Center Log
	904-240	560259	#37 Orifice - NG	95)	902-226		Middle Right Log
	936-170	556174	Orifice Gasket	96)	902-230		Middle Left Log
	910-074		Spark Generator Switch c/w Wire	97)	902-229		Front Right Log
66)	910-038		Pilot Assy - S.I.T. - 3 Flame NG	98)	902-228		Front Left Log
	910-039		Pilot Assy - S.I.T. - 3 Flame LPG				
67)	*		PilotHolder				
68)	W840470		Pilot Assembly Gasket				
71)	730-528		Log Stand				
	904-390	551859	Pilot Orifice #52 - NG				
75)	730-935		Log Set				
78)	730-550		Burner Assy - NG/LPG				

*Not available as a replacement part.

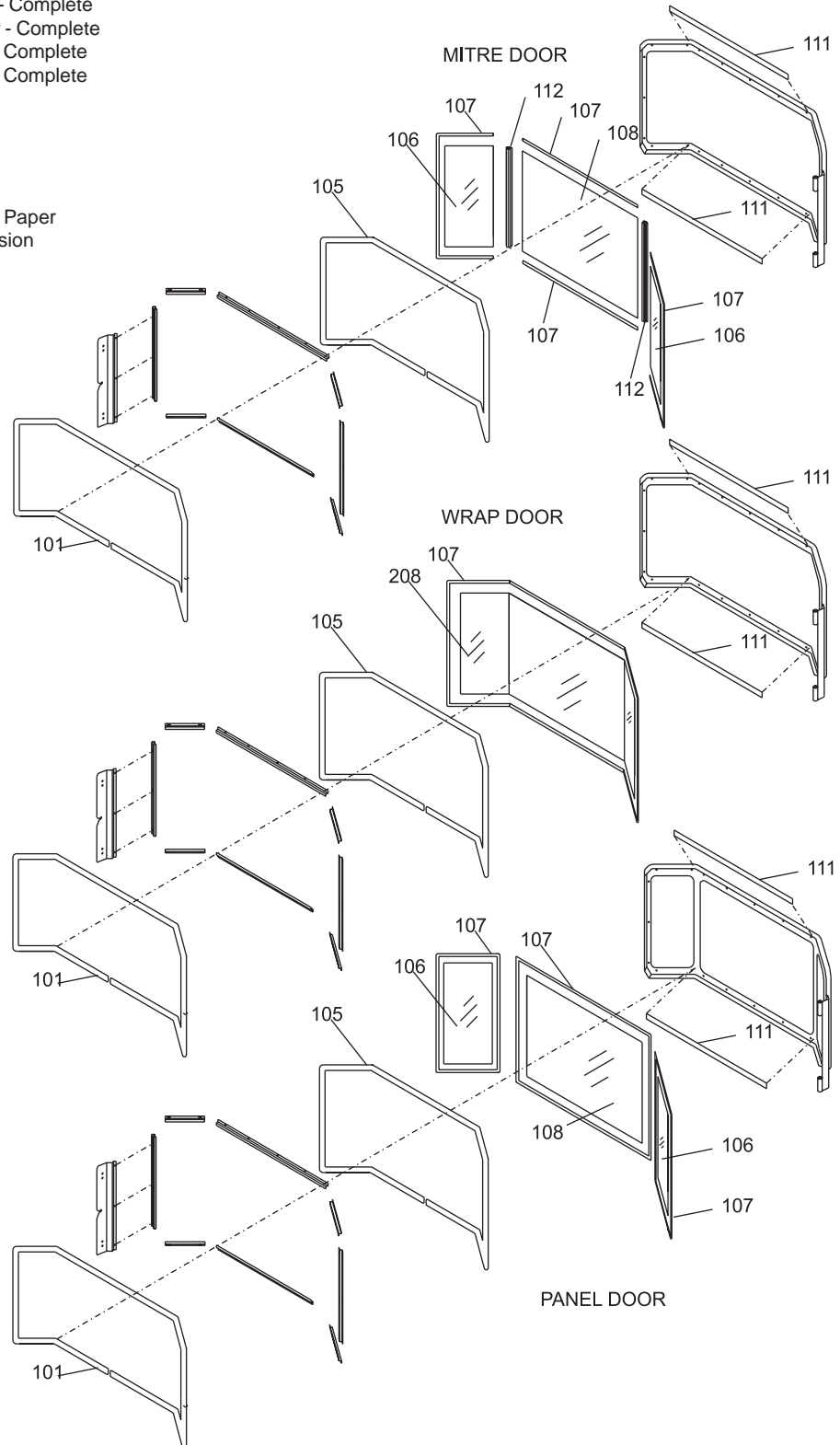


PARTS LIST

F37 DOOR ASSEMBLIES

Part#:	Aust.	New Zealand	Description
	730-924		Gold Mitred Door - Complete
	730-926		Black Mitred Door - Complete
	730-932		Gold Wrap Door - Complete
	730-928		Gold Panel Door - Complete
101)	650-920	560018	Door Gasket Kit
105)	*		Ceramic Paper
106)	940-323/P		Side Glass
107)	936-243	560087	Glass Gasket
108)	940-322/P		Centre Glass
111)	*		Door Frame Fibre Paper
112)	750-015		Door Glass Extrusion
208)	940-325/P		Wrap Glass

*Not available as a replacement part.



THE MASPORT EXPRESS WARRANTY

All new Masport Gas appliances are warranted, subject to the following conditions, to be free from defects in material or workmanship under normal use. The Express Warranty on all parts, including firebox components is two years from date of original purchase as well as labour costs involved in the repair or replacement. The Express Warranty on accessories is for a period of twelve months from date of original purchase and includes labour costs involved in the repair or replacement.

This Express Warranty applies only with respect to defects in material and workmanship under normal and proper use of the NEW UNIT in its unmodified condition. Masport's obligation under this Express Warranty is limited to the repair or replacement, at its option, by an approved Masport Gas Service Agent (Retailer) of any part found to be defective in material or workmanship.

Labour costs involved in the repair or replacement are also covered under this Express Warranty as per the time condition outlined.

If an approved Masport Gas Service Agent is requested to attend on a service call that is not covered under this Express Warranty, a call out charge may be applicable, regardless of whether a repair is carried out or not.

Masport can accept no obligation whatsoever for any incidental, consequential or special damages or expenses resulting from any product defect. This Express Warranty applies from the date of original purchase, applies to the original purchaser, and is not transferable. The decision to repair or replace defective components will be made by Masport or its agent and actioned by an approved Masport Service Agent.

This Express Warranty Does Not Cover:

1. Defects, malfunctions or failures caused by incorrect installation, normal wear and tear, misuse, neglect, accidental damage or failure to follow the fuel selection, product operating and maintenance instructions, or resulting from installations, repairs or modifications to the equipment carried out by unauthorised persons.
2. Defects, malfunctions or failures caused by an act or omission of other persons after the product has left Masport's control.
3. The costs of collection and delivery of the equipment.
4. The cost of labour or materials as a consequence of faulty installation of gas supply line, flue, burner or log settings, or non-compliance with local codes.

The Express Warranty is not intended to exclude any rights the purchaser may have under the laws of the place, state, or country of purchase. Nothing in this Express Warranty limits or restricts any other statutory right or remedy available to the purchaser.

How You Obtain Warranty Service:

Provide proof of the date of purchase. Should the need for a warranty claim arise reasonable proof of the purchase date is required therefore you should retain your sales receipt. Where flueless appliances are not permanently installed, they should be returned to a Service Agent for evaluation.

Make the faulty part(s) available for inspection by Masport and/or its agents so that the validity of the claim can be established by them.

Australia Distributor:

Masport Pty Limited
P.O. Box 533
Braeside Victoria 3195

New Zealand:

Masport Limited
P.O. Box 14-349
Panmure
Auckland 6

For your own records, please complete the following:

Model: _____	Serial Number: _____
Retailer: _____	

Purchase Date: _____	

