

# Owners & Installation

# Manual

# Masport®

## Freestanding Gas Stove

Models: F27-NG Natural Gas  
F27-LP Propane

PLEASE KEEP THESE INSTRUCTIONS FOR FUTURE REFERENCE



### LISTINGS AND CODE APPROVALS

These gas appliances have been tested in accordance with AG 103, NZS 5262 and have been certified by the Australian Gas Association for installation and operation as described in these Installation and Operating Instructions.

**Your unit should be serviced annually by an authorised service person.**

#### WARNING:

Improper installation, adjustment, alteration, service or maintenance can cause injury or property damage. Refer to this manual. For assistance or additional information consult an authorized installer, service agency or the gas supplier.

#### FOR YOUR SAFETY

Do not store or use gasoline or other flammable vapours and liquids in the vicinity of this or any other appliance.

**Installation and service must be performed by an authorized installer, service agency or the gas supplier.**

#### FOR YOUR SAFETY

What to do if you smell gas:

- Do not try to light any appliance
- Do not touch any electrical switch: do not use any phone in your building.
- Immediately call your gas supplier from a neighbour's phone. Follow the gas supplier's instructions.
- If you cannot reach your gas supplier, call the fire department.

**Head Office - Australia**  
54 Boundary Rd. Braeside  
P.O. Box 553  
Mordialloc 3195  
Ph. (03) 9586-7777  
Fax. (03) 9586-2980

**Head Office - New Zealand**  
1-37 Mt Wellington Hwy. Panmure,  
P.O. Box 14349  
Auckland 6.  
Ph. (9) 570-9009  
Fax. (9) 527-1294

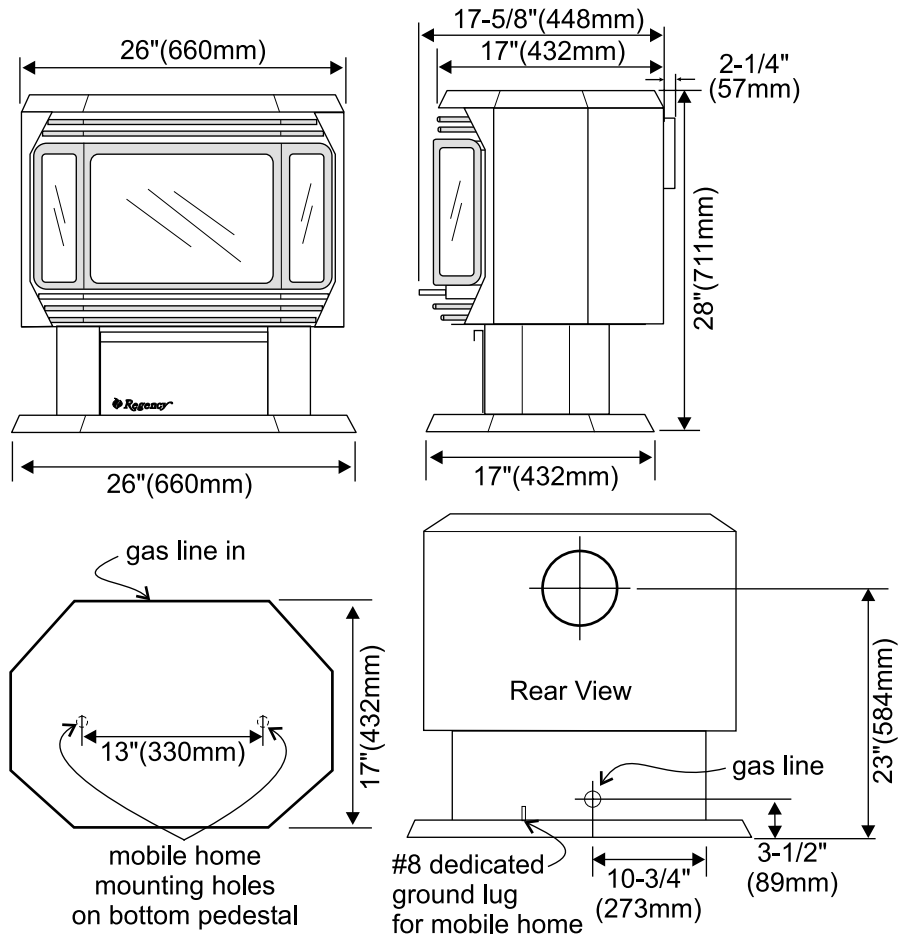
# MASPORT

## Rear Flued Room Sealed Freestanding Gas Stove

---

**To the New Owner:**

Congratulations! You are the owner of a state-of-the-art Rear Flued Room Sealed Gas Stove by Fireplace Products International. The Masport Gas Series of hand crafted appliances has been designed to provide you with all the warmth and charm of a woodstove, at the flick of a switch. The models FR27-NG, and FR27-LP of this series has been approved by Warnock Hersey for both safety and efficiency. As it also bears our own mark, it promises to provide you with economy, comfort and security for many trouble free years to follow. Please take a moment now to acquaint yourself with these instructions and the many features of your Rear Flued Room Sealed Freestanding Gas Stove.



# TABLE OF CONTENTS

---

	Page		Page
Specifications diagram .....	2		
Safety Label .....	4		
<b>Installation</b>		<b>Operating Instructions</b>	
Before You Start .....	5	Operating Instructions .....	17
General Safety Information .....	5	Lighting Procedure .....	17
Installation Checklist .....	6	Shutdown Procedure .....	17
Clearances to Combustibles .....	6	First Fire .....	17
Locating Your Gas Stove .....	7	Copy of Lighting Plate Instructions .....	18
Combustion and Ventilation Air .....	7	Convection Fan Operation .....	19
Flueing .....	7	Adjusting Flame Height .....	19
Flueing Installation Precautions .....	7	Normal Operating Sounds of Gas Appliances .....	19
Safety Precautions for the Installer .....	7		
Planning Your Flueing Installation .....	7	<b>Maintenance</b>	
Flueing: Residential and Manufactured Homes/Mobile Homes Installation .....	8	Maintenance Instructions .....	20
Exterior Flue Terminal Locations .....	9	General Flue Maintenance .....	20
Horizontal Installations .....	10	Log Replacement .....	21
Gas Connection .....	12	Glass Replacement .....	21
System Data Chart - FR27 .....	12	Gold Plated Doors .....	22
Aeration Adjustment .....	12	Door Gasket .....	22
Log Installation .....	13	Latch Adjustment .....	22
Door Installation .....	14	Fan Maintenance .....	22
Gas Pipe Pressure Testing .....	14	Removing Valve .....	23
Valve Description .....	15	Troubleshooting Guide .....	25
Optional Wall Thermostat .....	15	Parts List .....	26
Optional Remote Control Installation .....	15		
Remote Wall Switch .....	16	<b>Warranty</b>	
Final Check .....	16	Warranty .....	31
Wiring Diagram .....	16		

# SAFETY LABEL

This is a copy of the label that accompanies each Rear Fined Room Sealed Freestanding Gas Stove. We have printed a copy of the contents here for your review. The safety label is located on the inside of the drop down pedestal door.

NOTE: Masport units are constantly being improved. Check the label on the unit and if there is a difference, the label on the unit is the correct one.

## Copy of Safety Label for FR27

Warnock Hersey



Listed: GRAVITY DIRECT VENT WALL FURNACE  
 Certified for/Certifiée pour: CANADA AND U.S.A.  
 Tested to: CGA 2-17-M91, CAN1-2.19-M81, ANSI Z21.44-1995,  
 ANSI Z21.88a-1998/CSA 2.33a-M98

DO NOT REMOVE THIS LABEL / NE PAS ENLEVER CETTE ÉTIQUETTE



Serial No./No de serie

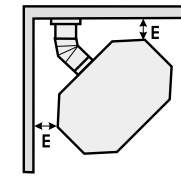
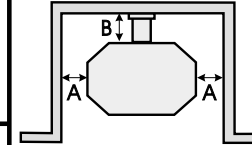
WH - U

REPORT NO. 476-1537-00 (Feb. 2000)

MAY BE INSTALLED IN MANUFACTURED (MOBILE) HOMES AFTER FIRST SALE

<p>○ Model/Modele: U27-NG2</p>	FACTORY EQUIPPED FOR NATURAL GAS: Model U27-NG2		ÉQUIPÉ À L'USINE POUR GAZ NATURAL:	
	Minimum supply pressure	5.0" WC/C.E. (1.24Kpa)	Pression d'alimentation minimum	
	Manifold pressure High	3.8" WC/C.E. (0.947Kpa)	Pression à la tubulure d'échappement élevée	
	Manifold pressure Low	1.1" WC/C.E. (0.27Kpa)	Pression à la tubulure d'échappement élevée	
	Orifice size	#40 DMS	Dimensions de l'orifice	
	Output - Fan ON	21,060 Btu/h (6.17Kw/h)	Débit calorifique-Ventilateur en Marche Btu/h	
	Output - Fan OFF	20,655 Btu/h (6.05Kw/h)	Débit calorifique-Ventilateur Éteint Btu/h	
	Altitude	0-4500 ft/pi (0-1370m)	L'altitude	
	Maximum Input	27,000 Btu/h (7.91Kw/h)	Débit calorifique maximum selon	
	Minimum Input	13,500 Btu/h (3.96Kw/h)	Débit calorifique minimum selon	
<p>○ Model/Modele: U27-LP2</p>	FACTORY EQUIPPED FOR PROPANE: Model U27-LP2		ÉQUIPÉ À L'USINE POUR GAZ PROPANE:	
	Minimum supply pressure	12" WC/C.E. (3.00Kpa)	Pression d'alimentation minimum	
	Manifold pressure High	11" WC/C.E. (2.74Kpa)	Pression à la tubulure d'échappement élevée	
	Manifold pressure Low	2.9" WC/C.E. (0.72Kpa)	Pression à la tubulure d'échappement élevée	
	Orifice size	#53 DMS	Dimensions de l'orifice	
	Output - Fan ON	21,330 Btu/h (6.25Kw/h)	Débit calorifique-Ventilateur en Marche Btu/h	
	Output - Fan OFF	20,871 Btu/h (6.11Kw/h)	Débit calorifique-Ventilateur Éteint Btu/h	
	Altitude	0-4500 ft/pi (0-1370m)	L'altitude	
	Maximum Input	27,000 Btu/h (7.91Kw/h)	Débit calorifique maximum selon	
	Minimum Input	13,500 Btu/h (3.96Kw/h)	Débit calorifique minimum selon	

Minimum Clearances to Combustibles/  
 Degagement Minimum Des Matériaux Combustibles



A 7-1/2" / 190 mm  
 B 3" / 76 mm  
 E 4-1/2" / 114 mm

Min. Ceiling Height from top of unit / Min. Plafond Hauteur en haut de l'appareil:  
 36" / 914 mm

**VENTING:** Use listed Simpson Dura-Vent GS System. Only for direct discharge without duct connection. This appliance must be installed in accordance with the manufacturer's installation instructions and with local codes, if any; if not, follow the current ANSI Z223.1 in the USA or the current CAN/CGA-B149 in Canada.

**For Manufactured Home Installation:** This Direct Vent System Appliance must be installed in accordance with the manufacturer's installation instructions and Manufactured Home Construction and Safety Standard Title 24 CFR, Part 3280, or the current Standard for Fire Safety Criteria for Manufactured Home Installations, Sites, and Communities ANSI/NFPA 501A, and with CAN/CSA Z240 MH Mobile Home Standard in Canada.

Electrical supply 115VAC, 1.13 A, 60 Hz. Not for use with solid fuel.

Fireplace Products International Ltd., Delta, BC, Canada

MADE IN CANADA / FABRIQUE AU CANADA

**DOOR SEAL ADJUSTMENT:**

Please check that door is properly sealed.  
 Periodic adjustment of latch may be required.

908-044 WD  
 ver. 07/00

## IMPORTANT: SAVE THESE INSTRUCTIONS

The Rear Flued Room Sealed Freestanding Gas Stove must be installed in accordance with these instructions. Carefully read all the instructions in this manual first. Consult the building authority having jurisdiction to determine the need for a permit prior to starting the installation.

**Note:** Failure to follow the instructions could cause a malfunction of the heater which could result in death, serious bodily injury, and/or property damage. Failure to follow these instructions may also void your fire insurance and/or warranty.

**Note:** These instructions take precedence over Simpson Dura-Vent instructions.

## BEFORE YOU START

Safe installation and operation of this appliance requires common sense, however, we are required by the Canadian Safety Standards and ANSI Standards to make you aware of the following:

**INSTALLATION AND REPAIRS SHOULD BE DONE BY A AUTHORISED SERVICE PERSON. THIS APPLIANCE SHOULD BE INSTALLED, REPAIRED, INSPECTED BEFORE USE AND AT LEAST ANNUALLY BY A AUTHORISED SERVICE PERSON. MORE FREQUENT CLEANING MAY BE REQUIRED DUE TO EXCESSIVE LINT FROM CARPETING, ETC. IT IS IMPERATIVE THAT THE CONTROL COMPARTMENT, BURNERS AND CIRCULATING AIR PASSAGEWAYS OF THE APPLIANCE BE KEPT CLEAN.**

**DUE TO HIGH TEMPERATURES, THE APPLIANCE SHOULD BE LOCATED OUT OF TRAFFIC AND AWAY FROM FURNITURE AND DRAPERIES.**

**WARNING: FAILURE TO INSTALL THIS APPLIANCE CORRECTLY WILL VOID YOUR WARRANTY AND MAY CAUSE A SERIOUS HOUSE FIRE.**

**CHILDREN AND ADULTS SHOULD BE ALERTED TO THE HAZARDS OF HIGH SURFACE TEMPERATURES, ESPECIALLY THE FIREPLACE GLASS, AND SHOULD STAY AWAY TO AVOID BURNS OR CLOTHING IGNITION.**

**YOUNG CHILDREN SHOULD BE CAREFULLY SUPERVISED WHEN THEY ARE IN THE SAME ROOM AS THE APPLIANCE.**

**CLOTHING OR OTHER FLAMMABLE MATERIAL SHOULD NOT BE PLACED ON OR NEAR THE APPLIANCE.**

- 1) Provide adequate clearances for servicing, proper operation and around the air openings into the combustion chamber.
- 2) The appliance must be installed on a flat, solid, continuous surface (e.g. wood, metal, concrete). This may be the floor, or it can be raised up on a platform to enhance its visual impact. The appliance may be installed on carpeting, tile, wood flooring or other combustible material, because the appliance's metal pedestal base extends the full width and depth of the appliance. The Rear Flued Room Sealed Freestanding Gas Stove can be installed in a wide variety of ways and will fit nearly any room layout. It may be installed in a recessed position, framed out into the room, or across a corner.
- 3) The Rear Flued Room Sealed Freestanding Gas Stove is approved for manufactured home installations, see pages 7 to 9 for the required flue arrangements. If installed into a manufactured home the unit must be bolted down to the floor.
- 4) We recommend that you plan your installation on paper using exact measurements for clearances and floor protection before actually installing this appliance. Have a authorised building inspector review your plans before installation.

## GENERAL SAFETY INFORMATION

- 1) The appliance shall be installed in accordance with the manufacturer's installation instructions, local gas fitting regulations, municipal building codes, water supply regulations, electrical wiring regulations, with AG 601 (AGA gas installation code) NZS 5261 (New Zealand).
- 2) **Installation and repair should be done ONLY by an authorised person.**
- 3) The appliance should be inspected for shipping damage before use and **serviced annually by a authorised service person**. More frequent cleaning may be required due to excessive lint from carpeting, bedding material, etc. It is imperative that control compartments, and circulating air passageways of the appliance be kept clean and free from excessive lint from carpeting.
- 4) See general construction and assembly instructions. The appliance and flue should be enclosed when installed in or passing through a living area, where children may come in contact with it.
- 5) This appliance must be connected to the specified flue and termination cap to the outside of the building envelope. Never flue to another room or inside a building. Make sure that the flue is fitted as per the instructions starting on page 7.

# INSTALLATION

- 6) Inspect the flueing system annually for blockage and any signs of deterioration.
- 7) Flueing terminals shall not be recessed into a wall or siding.
- 8) Any safety glass removed for servicing must be replaced prior to operating the appliance.
- 9) To prevent injury, do not allow anyone who is unfamiliar with the operation to use the fireplace.

## INSTALLATION CHECKLIST

- 1) Check Clearances to Combustibles (page 6), location of unit (page 7) and flueing requirements (pages 7 to 9).
- 2) Install flueing: Check all flueing requirements, pages 9 to 10.
- 3) Make gas connections, page 12. Test the pilot. Must be as per diagram, pages 12 and 20.
- 4) Install logs and embers and rockwool where indicated on page 13.
- 5) Install Front Door, page 14.
- 6) Test Gas Pressure, page 14.
- 7) Install optional Wall Switch, Remote Control, or Wall Thermostat, pages 15 and 16.
- 8) Final check, page 16.

Before leaving this unit with the customer, the installer must ensure that the appliance is firing correctly and **operation fully explained to customer.**

### This includes:

- 1) Clocking the appliance to ensure the correct firing rate (rate noted on label) after burning appliance for 15 minutes.
- 2) If required, adjusting the primary air to ensure that the flame does not carbon. First allow the unit to burn for 15-20 min. to stabilize.

**CAUTION:** Any alteration to the product that causes sooting or carboning that results in damage is not the responsibility of the manufacturer.

## CLEARANCES TO COMBUSTIBLES

The clearances listed are MINIMUM distances. Measure the clearance to both the appliance and the chimney connector. **The farthest distance is correct if the two clearances do not coincide.** For example, if the appliance is set as indicated in one of the diagrams but the connector is too close, move the stove until the correct clearance to the connector is obtained.

This appliance may be installed only with the clearances as shown in the situations pictured. **Do not combine clearances from one type of installation with another in order to achieve closer clearances.**

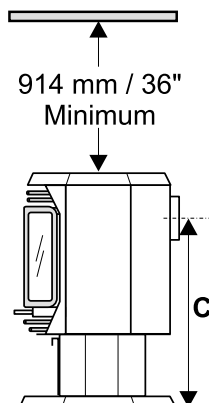
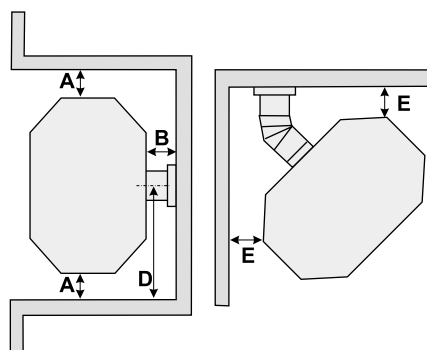
This unit can be installed on a solid combustible surface like a wood floor. This unit can also be installed directly on carpeting or vinyl when the bottom pedestal cover plate (provided with unit ) is installed.

Use the minimum clearances shown in the diagrams below:

FR27-NG & FR27-LP Clearances	
A Side Wall to Unit	7-1/2" / 190 mm
B Back Wall to Unit	3" / 76 mm
E Side Wall to Unit	4-1/2" / 114 mm

### FR27-NG & FR27-LP Reference Dimensions

- |                                |                  |
|--------------------------------|------------------|
| C Floor to Flue Centerline     | 23" / 584 mm     |
| D Side Wall to Flue Centerline | 20-1/2" / 521 mm |



**Minimum ceiling height is 36" / 914 mm from top of unit.**

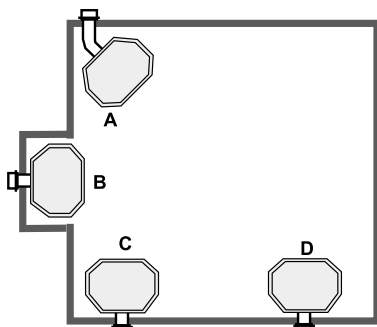
## LOCATING YOUR GAS STOVE

When selecting a location for your stove, ensure that the clearances listed above are met as well as ensuring that there is adequate accessibility for servicing and proper operation.

For Flue Termination requirements, see page 9.

This appliance is Listed for bedroom installations when used with a Listed Millivolt Thermostat. Some areas may have further requirements, check local codes before installation.

This appliance is Listed for Alcove installations, maintain minimum Alcove clearances as follows, minimum ceiling height of 64"(1.6m), minimum width of 48"(1.2m) and a maximum depth of 36"(0.9m).



- A) Cross Corner
- B) Flush with Wall/Alcove
- C) Flat on Wall Corner
- D) Flat on Wall

## COMBUSTION AND VENTILATION AIR

The combustion air from this appliance is drawn from outside the building through the outer flue. **Extra provision for combustion air inside the room is not required.**

## FLUEING

These instructions apply to the Masport Room Sealed System. The Horiz. Termination Kit (640-944) includes everything required for a straight through the wall installation, or add a 45° elbow for a corner installation. If a snorkel termination is required, the Simpson Dura-Vent Co Axial Flue System Model DVGS terminals are available. These flueing systems, in combination with the Room Sealed-Rear Flued Freestanding Gas Stoves (FR27-NG and FR27-LP) have been tested and listed as room sealed heater systems by Warnock Hersey.

### IMPORTANT

Read all instructions carefully before starting the installation. Failure to follow these instructions may create a fire or other

safety hazard, and will void the warranty. Be sure to check the flueing and clearance to combustible requirements on pages 7 to 9. Consult your local building codes before beginning installation.

The location of the termination cap must conform to the requirements in the Exterior Flue Terminal Locations diagram on page 9.

## Flueing Installation Precautions

The Masport Co Axial Flue System is an engineered product that has been designed and tested for use with the FR27-NG, and FR27-LP. The Masport warranty will be voided and serious fire, health or other safety hazards may result from any of the following actions:

- 1) Installation of any damaged Co Axial Flue component
- 2) Unauthorized modification of the Co Axial Flue System
- 3) Installation of any component part not manufactured or approved by Masport.
- 4) Installation other than as instructed by Masport.

**Warning: Always maintain required clearances (air spaces) to nearby combustibles to prevent a fire hazard. Do not fill air spaces with insulation.**

The minimum clearance requirements between the outer wall of the flue pipe and nearby combustible surfaces is 1-1/4 inch. Be sure to check the flue termination clearance requirements from decks, windows, soffits, gas regulators, air supply inlets and public walkways as specified on page 9 and in your local building codes.

**The gas appliance and flue system must be flued directly to the outside of the building, and never be attached to a chimney serving a separate solid fuel or gas-burning appliance.**

Each room sealed gas appliance must use its own separate flue system. Common flue systems are prohibited.

## SAFETY PRECAUTIONS FOR THE INSTALLER

- 1) Wear gloves and safety glasses for protection.
- 2) Exercise extreme caution when using ladders or on roof tops.
- 3) Be aware of electrical wiring locations in walls and ceilings.

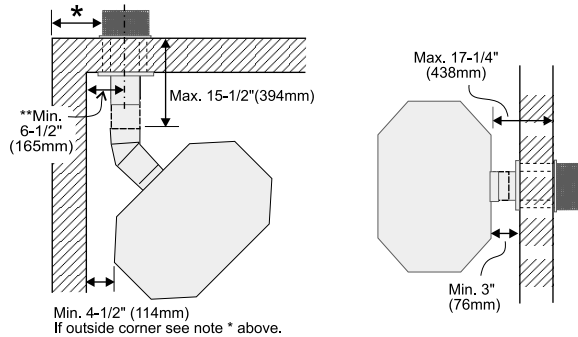
# INSTALLATION

## PLANNING YOUR FLUEING INSTALLATION

See page 9 for Exterior Flue Termination requirements. The FR27 is only approved for a horizontal termination. See the diagram for minimum and maximum pipe lengths.

When planning your installation, it will be necessary to select the proper length of flue pipe for your particular requirements. Determine the minimum clearance to combustibles from the rear of the unit to the wall. It is also important to note the wall thickness. Before cutting the flue hole through the wall ensure that ALL flue and termination clearances (see page 9) will be met.

The flueing arrangements shown on the diagram, have a minimum of 75% (flue loss) efficiency with Fan Off, as required for manufactured homes. (Actual efficiency may be as high as 85%.)



\*If this is an outside corner, the minimum distance between the flue and the outside corner is 12" (30cm). See "F" on the diagram on page 9.

## RESIDENTIAL INSTALLATIONS

You will require the following components with your new Masport Rear Flued Room Sealed Freestanding Gas Stove. Please review your product to make sure you have everything you need. In the event that you are missing any part, contact your dealer. Decorative brass or chrome trim kits are available from Simpson Dura-Vent for their wall thimbles, as well as a square wall thimble cover.

**Note:** These are the minimum pieces required. Other parts may be required for your particular installation.

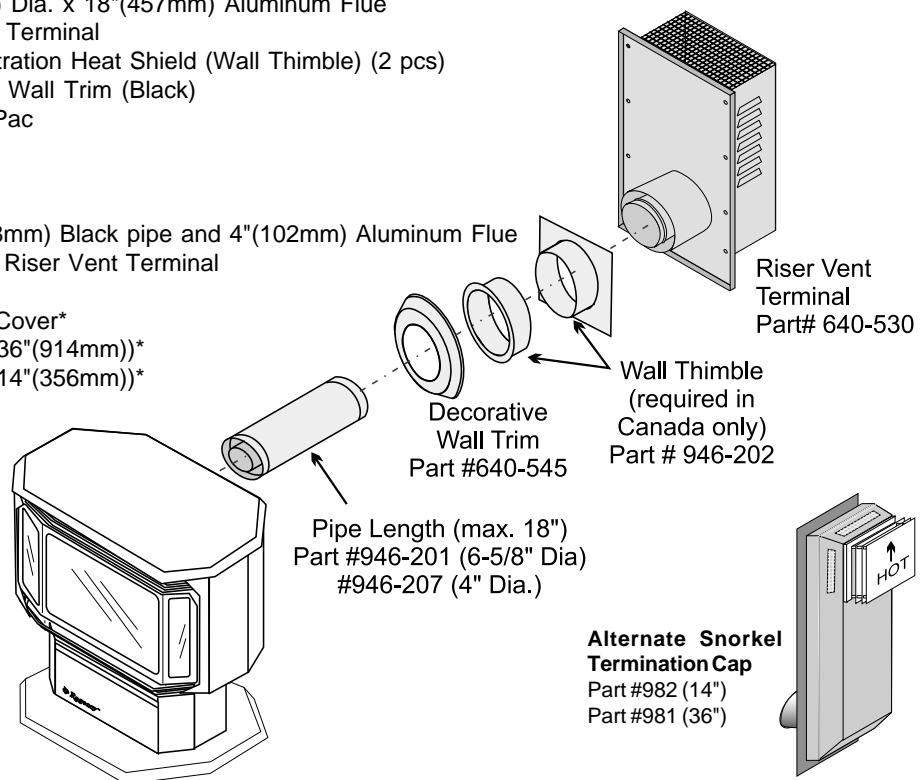
### Minimum components for a Horizontal Installation:

- 640-944 Horizontal Termination Kit which includes:
- 1 946-201 6-5/8"(168mm) Dia. x 18"(457mm) Black Pipe
  - 1 946-207 4"(102mm) Dia. x 18"(457mm) Aluminum Flue
  - 1 640-530 Riser Vent Terminal
  - 1 946-202 Wall Penetration Heat Shield (Wall Thimble) (2 pcs)
  - 1 640-545 Decorative Wall Trim (Black)
  - 1 948-128 Tube Mill-Pac Screws

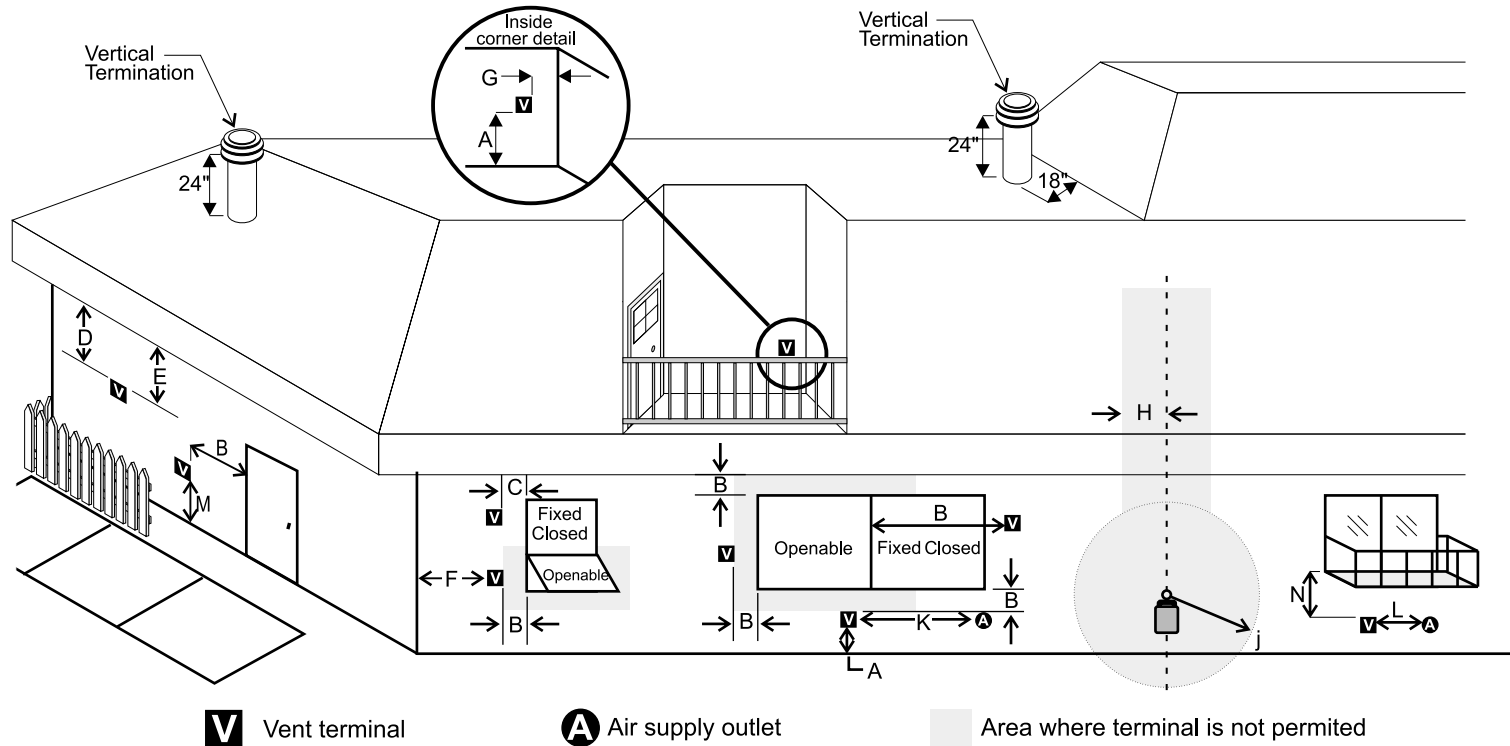
### Optional Components:

- 946-204 45° Elbow - 6-5/8"(168mm) Black pipe and 4"(102mm) Aluminum Flue
- 946-205 Vinyl Siding Shield for Riser Vent Terminal
- 946-208/P Flue Guard
- 940 Square Wall Thimble Cover\*
- 981 Snorkel Termination (36"(914mm))\*
- 982 Snorkel Termination (14"(356mm))\*
- 942 Wall Penetration Heat Shield\*

\* Simpson Dura-Vent components







- A= Clearance above grade, veranda, porch, deck, or balcony \*(min. 12"/30cm)  
 B= Clearance to window or door that may be opened \*(12"/30cm)  
 C= Clearance to permanently closed window \*(min. 12"/30cm) recommended to prevent condensation on window  
 D= Vertical clearance to ventilated soffit located above the terminal within a horizontal distance of (24"/60cm) from the centerline of the terminal (min. 22"/55cm) check with local code.  
 E= Clearance to unventilated soffit (min. 12"/30cm)  
 F= Clearance to outside corner (12"/30cm)  
 G= Clearance to inside corner (12"/30cm)  
 H= Not to be installed above a meter/regulator assembly within (3'/90cm) horizontally from the centerline of the regulator.

- J= Clearance to service regulator flue outlet \*(Canada: min. 72"/1.8m, USA: min. 36"/90cm)  
 K= Clearance to non-mechanical air supply inlet to building or the combustion air inlet to any other appliance \*(12"/30cm)  
 L= Clearance to a mechanical air supply inlet \*(min. 72"/1.8m)  
 M= \*\*Clearance above paved sidewalk or a paved driveway located on public property \*(min. 84"/2.1m)  
 N= Clearance under veranda, porch, deck, or balcony \*(min. 12"/30cm)\*\*\*

Note: \* As specified in CGA B149 Installation Code. Note: Local codes or regulations may require different clearances.

\*\*A flue shall not terminate directly above a sidewalk or paved driveway which is located between two single family dwellings and serves both dwellings.

\*\*\*Only permitted if veranda, porch, deck, or balcony is fully open on a minimum of two sides beneath the floor.

EXTERIOR FLUE TERMINAL LOCATIONS

INSTALLATION

# INSTALLATION

## HORIZONTAL INSTALLATIONS

- 1) Set the unit in its desired location. Check to determine if wall studs are in the way when the venting system is attached. If this is the case, you may want to adjust the location of the unit.
- 2) Assemble the desired combination of pipe and elbow to the appliance adaptor with pipe seams oriented down. Offset the pipe seams as double seams in one place will cause the outer pipe to take an oval shape. Kit comes complete with 18" of straight vent - 6-5/8" dia. black outer pipe and 4" dia. inner vent.
- 3) With the pipe attached to the stove, slide the stove into its correct location, and mark the wall for a 9-1/2" (inside dimensions) round hole. The center of the round hole should line up with the centerline of the horizontal pipe, as shown in diagram 1. Cut and frame the 9-1/2 round hole in the exterior wall where the vent will be terminated. If the wall being penetrated is constructed of non-combustible material, i.e. masonry block or concrete, a 7" diameter hole is acceptable.

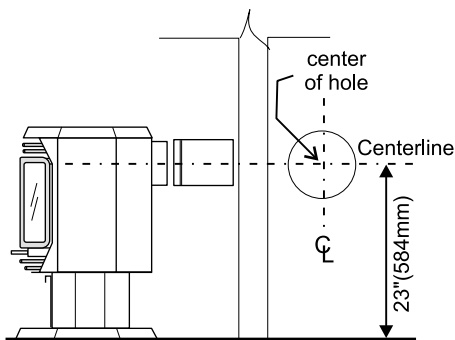


Diagram 1

**Note:**

- a) The horizontal run of vent should have a 1/4 inch rise for every 1 foot of run towards the termination. Never allow the vent to run downward. This could cause high temperatures and may present the possibility of a fire.
- b) The location of the horizontal vent termination on an exterior wall must meet all local and national building codes, and must not be blocked or obstructed. For External Vent Terminal Locations, see diagram on page 10.
- c) **Snorkel Terminations:**  
For installations requiring a vertical rise on the exterior of the building, 14-inch and 36-inch tall Snorkel Terminations as shown in Dia. 2 are available, as well as the standard Riser Vent. Follow the same installation procedures as used for standard Horizontal Termination. NEVER install the snorkel upside down.

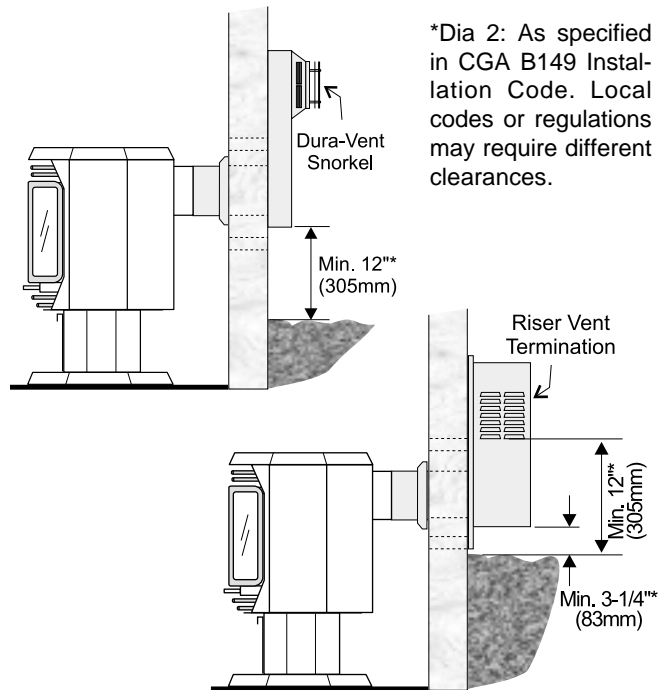


Diagram 2

**NOTE: For Snorkel terminations in ABOVE grade installations, follow national or local code requirements.**

**Below Grade Snorkel Installation**

If the Snorkel Termination must be installed below grade, i.e. basement application, proper drainage must be provided to prevent water from entering the Snorkel Termination. Refer to Dura-Vent Installation instructions for details. Do not attempt to enclose the Snorkel within the wall, or any other type of enclosure.

- 4) Install wall penetration heat shield in the center of the 9-1/2" round hole and attach with wood screws. The four wood screws provided should be replaced with appropriate fasteners for stucco, brick, concrete, or other types of sidings. Dia. 3.

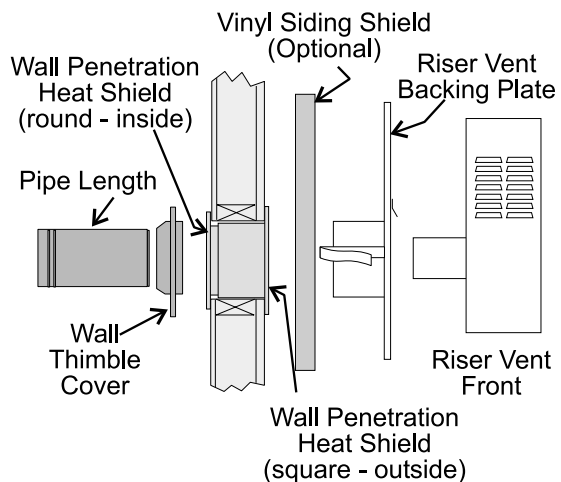


Diagram 3

# INSTALLATION

- 5) If installing termination on a siding covered wall, a vinyl siding standoff or furring strips must be used to ensure that the termination is not recessed into the siding. Dia. 3.
- 6) Take the Riser Vent terminal and separate the Backing Plate from the Riser Vent Front by removing 8 screws as shown in diagram 4.

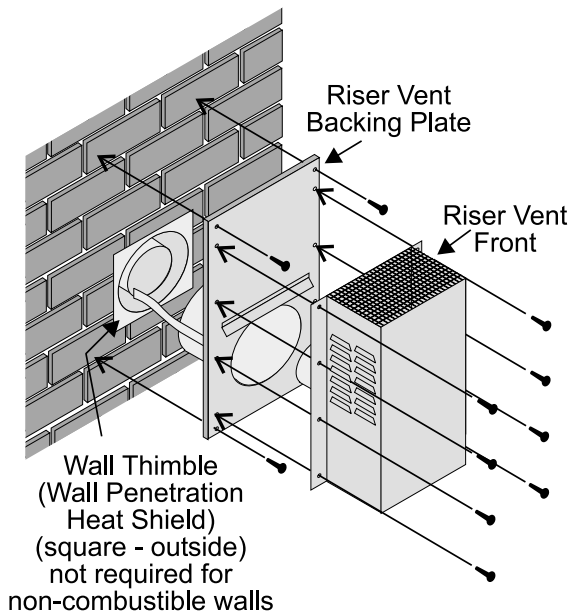
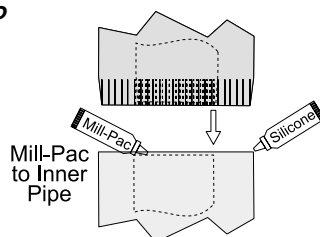


Diagram 4

- 7) Install the Backing Plate into the wall penetration heat shield and attach using 4 screws. Dia. 4.
- 8) Connect all pipe sections to unit and install into wall:
  - a) Measure pipe length required and cut to length. Hint: use the cut end of the 6-5/8" dia. outer pipe at the vent terminal end.
  - b) Push the pipe sections completely together, the minimum pipe overlap is 1-1/4". Secure all outer pipe joints by using at least two screws. Locate the screws at the bottom of the pipe so that the screw heads are hidden on the final installation. Apply sealant "Mill-Pac" to inner pipe and high temp silicone sealant or "Mill-Pac" to outer pipe on every joint.

**Hint: Apply sealant to female end.**



- c) Before connecting the vent pipe to the vent termination, slide the black decorative wall thimble cover over the vent pipe, then slide the Wall Penetration Heat Shield (Part # 946-202) over the vent pipe. Dia. 3.
- d) Slide the appliance and vent assembly towards the wall carefully inserting the vent pipe into the riser vent terminal assembly. It is important that the vent pipe extends into the Riser Vent Backing Plate a sufficient distance so as to result in a minimum pipe overlap of 1-1/4 inches. Secure the connection between the vent pipe and the vent cap by attaching the two sheet metal strips extending from the Riser Vent Backing Plate into the outer wall of the vent pipe. Use two aluminum screws provided to connect the strips to the pipe section. Bend any remaining portion of the sheet metal strip back towards the vent cap and cut off any excess, it will be concealed by the decorative wall thimble cover. See diagram 5.

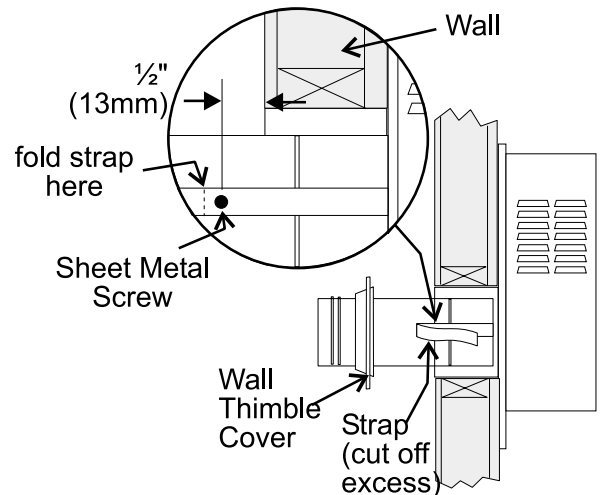
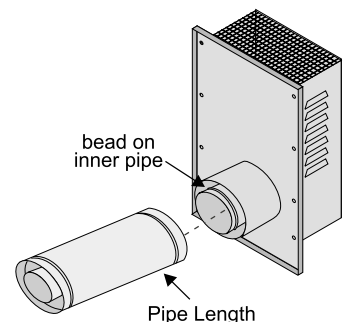


Diagram 5

- 8) Slide the decorative wall thimble up to the wall surface being careful not to scratch the paint. See diagram 5.
- 9) Back outside: Apply sealant to the 4" inner flue and slide the Riser Vent Front into the Backing Plate and fasten with 8 screws.

**IMPORTANT:**  
When connecting the pipe to the Riser Vent, apply Mill-Pac to the inner pipe on the Riser Vent Terminal, around the bead. Ensure that the vent pipe is pushed past the bead for a secure fit.



- 10) Seal around the outer edge of the Riser Vent Backing Plate.

# INSTALLATION

## GAS CONNECTION

The gas connection is a 3/8" NPT 90° elbow. The gas line can be rigid pipe or to make installation easier, use a listed flexible connector and/or copper tubing if allowed by local codes. Since some municipalities have additional local codes it is always best to consult with your local authorities and the CAN/CGA B149 installation codes. For USA installations follow local codes and/or the current National Fuel Gas Code, ANSI Z223.1.

When using copper or flex connectors use only approved fittings. Always provide a union so that gas lines can be easily disconnected for burner and/or valve servicing. Flare nuts for copper lines and flex connectors are usually considered to meet this requirement.

**Important:** Always check for gas leaks with a soap and water solution or gas leak detector. Do not use open flame for leak testing.

**Note:** Prior to any pressure testing of the gas supply piping system that exceeds test pressures of 3.45 kPa, this appliance must be disconnected from the piping system. If test pressures equal to or less than 3.45 kPa are used then this appliance must be isolated from the piping system by closing its individual manual shut-off valve during the testing.

System Data - FR27			
<b>For 0 to 4500 feet altitude</b>			
<b>Burner Inlet Orifice Sizes:</b>			
Burner	Natural Gas	Propane	
	#41	#53	
<b>Max. Input Rating</b>		27,000 Btu/h	
<b>Min. Input Rating</b>		13,500 Btu/h	
<b>Output Capacity with blower Off*</b>			
Natural Gas		20,574 Btu/h	
Propane		20,871 Btu/h	
<b>Output Capacity with blower On</b>			
Natural Gas		21,060 Btu/h	
Propane		21,330 Btu/h	
<b>Supply Pressure</b>	Natural Gas	min. 5.0" w.c.	
	Propane	min. 12.0" w.c.	
<b>Manifold Pressure</b>			
Natural Gas	3.8"	+/- 0.2" w.c.	
Propane	11"	+/- 0.2" w.c.	

## AERATION SYSTEM

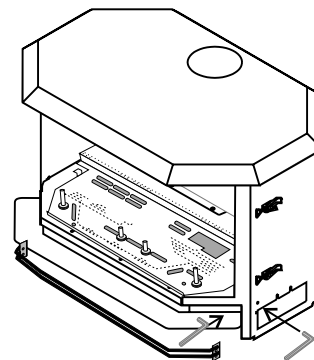
The burner aeration is factory set but may need adjusting due to either the local gas supply, air supply or altitude.

**Natural Gas: 3/16" (4.7mm) open**  
**Propane: 5/16" (7.9mm) open**

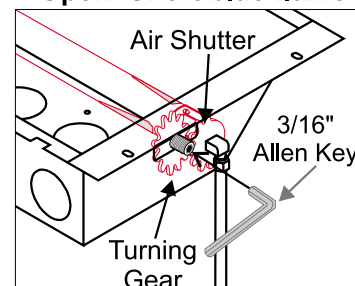
The aeration adjustment gears are located on the right side of the burner box and can be accessed from the side or from the front when the louvers are removed.

To adjust the aeration: use the allen key to turn the turning gear which will adjust the air shutter. Open the air shutter for a blue flame or close it for a yellower flame. This adjustment is performed by a qualified installer. The factory setting should be sufficient for most installations.

Clockwise to open,  
counter-clockwise to close.



**Closed - Tall yellow flame**  
**Open - Short blue flame**



**Caution:** Carbon will be produced if the air shutter is closed too much.

**Note:** Any damage due to carboning resulting from improperly setting the aeration controls is NOT covered under warranty.

## LOG INSTALLATION

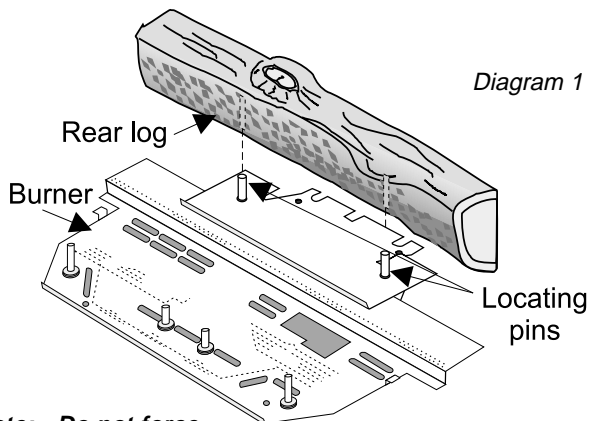
**WARNING: Dangerous operating conditions may occur if these logs are not positioned in their approved locations. Read the instructions below carefully and refer to the diagrams. If logs are broken do not use the unit until they are replaced. Broken logs can interfere with the pilot and burner operation.**

The gas log kit contains the following:

- a) Front Right Log - Part # 902-020
- b) Front Left Log - Part # 902-021
- c) Rear log - Part # 902-022
- d) Embers - Part # 902-151 (1 bag)
- e) Lava - Part # 902-154 (1 bag)

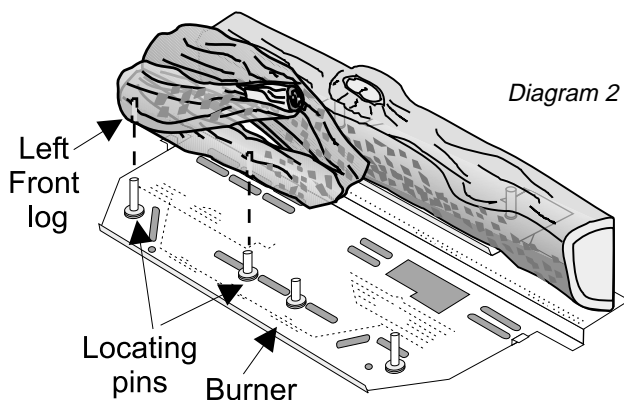
(Part # 560-935 for the set of three logs)

- 1) Remove the logs from the box and carefully unwrap them. The logs are fragile, handle with care - **DO NOT FORCE** into position.
- 2) Place the rear log, carefully sliding it down onto the pins, with the flat side of the log facing the back of the unit. See diagram 1.

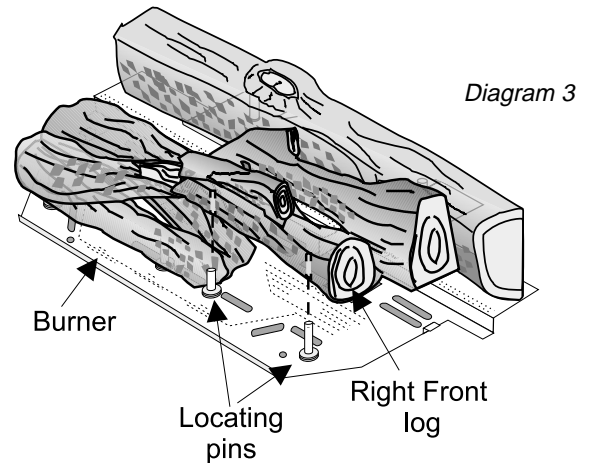


**Note: Do not force logs down.**

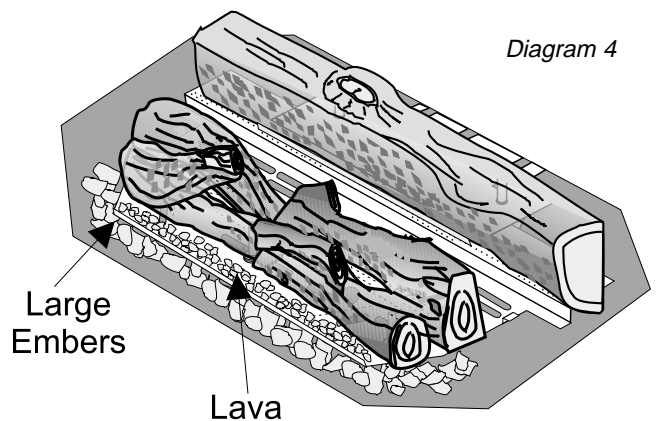
- 3) Place the left front log, carefully sliding it down onto the left pins of the front burner. See diagram 2.



- 4) Place the right front log, carefully sliding it down onto the right pins of the front burner. See diagram 3.



- 5) Distribute the embers along the front burner but do not cover the burner ports and around the logs. Place the embers on the floor of the firebox. Place the lava on the burner tray in front of the left and right front logs. See diagram 4.



# INSTALLATION

## DOOR INSTALLATION

- 1) Open the two side panels.
- 2) Slide the door onto the two hinge pins making sure the two pieces are flush together. See diagram 1.

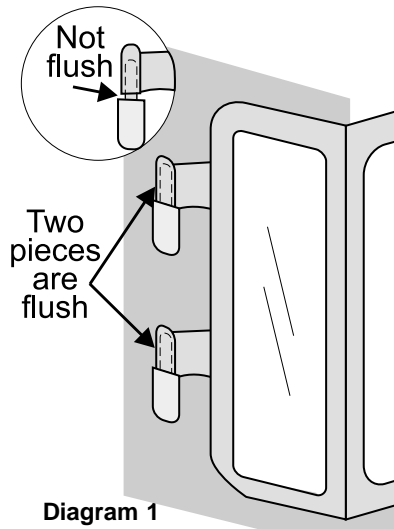


Diagram 1

- 3) Close the door. The latch plate must be centered around the alignment pin. See diagram 2. If the latch plate interferes with the corner of the stove you may want to angle the plate slightly so the door closes easier.

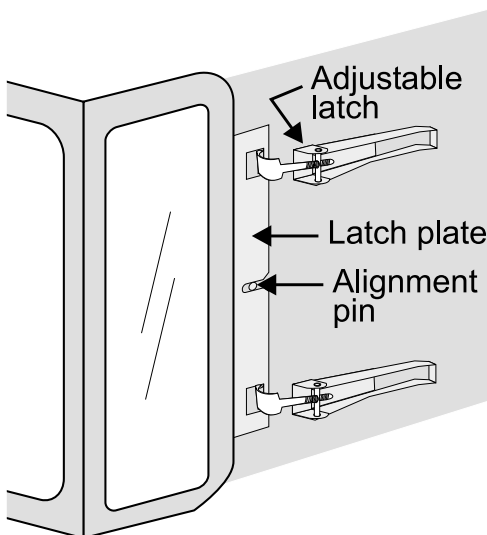


Diagram 2

- 4) The latches should already be at the proper setting. If they are too hard or too easy to close, you may want to adjust them by loosening the locking nut and turning the latch catch. See diagram 3.

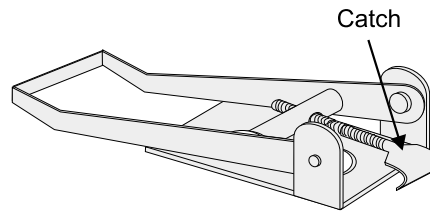


Diagram 3

- 5) Remove the blue plastic protective coating from the glass.
- 6) Test the seal around the door by placing a piece of paper between the unit and the door, close the door and try to pull the paper out. If it slips out easily, then the door is not properly sealed. Tighten or loosen the latch by turning the latch catch inward or outward. See diagram 3.

**Note:** *The door latch may require adjustment as the door gasket material compresses after a few fires and after glass replacement. Turn the latch catch inward or outward.*

## GAS PIPE PRESSURE TESTING

The appliance must be isolated from the gas supply piping system by closing its individual manual shut-off valve during any pressure testing of the gas supply piping system at test pressures equal to or less than 1/2 psig. (3.45 kPa). Disconnect piping from valve at pressures over 3.45 kPa.

The manifold pressure is controlled by a regulator built into the gas control, and should be checked at the pressure test point.

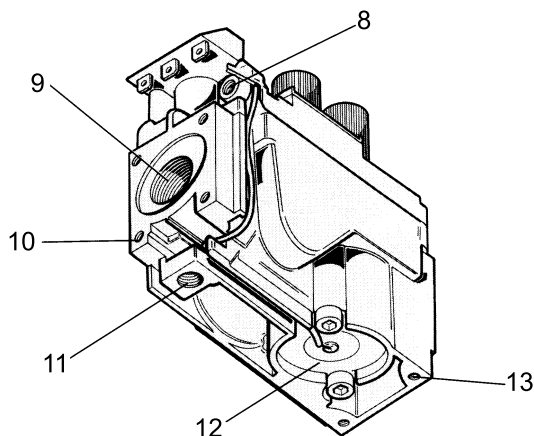
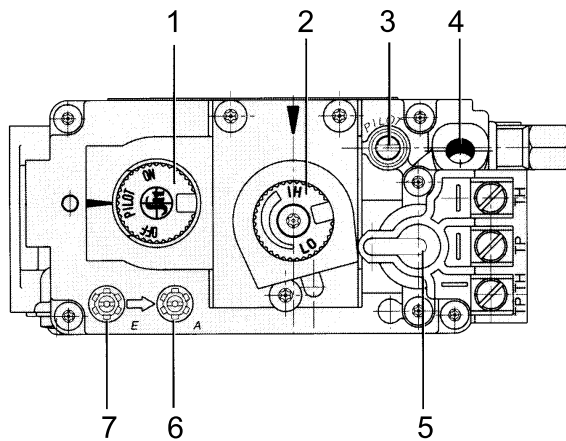
**Note:** *To properly check gas pressure, both inlet and manifold pressures should be checked using the valve pressure ports on the valve.*

- 1) Make sure the valve is in the "OFF" position.
- 2) Loosen the "IN" and/or "OUT" pressure tap(s), turning counterclockwise with a 1/8" wide flat screwdriver.
- 3) Attach manometer to "IN" and/or "OUT" pressure tap(s) using a 5/16" ID hose.
- 4) Light the pilot and turn the valve to "ON" position. Read manometer.
- 5) The pressure check should be carried out with the unit burning and the setting should be within the limits specified on the safety label.
- 6) When finished reading manometer, turn off the gas valve, disconnect the hose and tighten the screw (clockwise) with a 1/8" flat screwdriver. **Note: Screw should be snug, but do not over tighten**

# INSTALLATION

## VALVE DESCRIPTION

- 1) Gas cock knob
- 2) Manual high/low adjustment
- 3) Pilot Adjustment
- 4) Thermocouple Connection
- 5) Main Operator
- 6) Outlet Pressure Tap (Manifold Pressure)
- 7) Inlet Pressure Tap (Supply Pressure)
- 8) Pilot Outlet
- 9) Main Gas Outlet
- 10) Flange Securing Screw Holes
- 11) Alternative TC Connection Point
- 12) Thermoelectric Unit
- 13) Additional Valve Mounting Hole



## OPTIONAL WALL THERMOSTAT INSTALLATION

A wall thermostat may be installed if desired.

**Note:** *Preferable if the thermostat is installed on an interior wall.*

Masport offers a programmable thermostat but any CSA, ULC or UL approved millivolt thermostat, 250-750 millivolt rated non-anticipator type thermostat may be used.

### Thermostat Wire Table

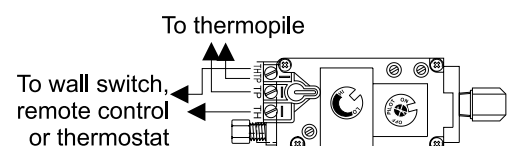
Recommended Maximum Lead Length (Two-Wire) When Using Wall Thermostat (CP-2 System)	
Wire Size	Max. Length
14 GA.	15.24 m
16 GA.	9.75 m
18 GA.	6.10 m
20 GA.	3.66 m
22 GA.	2.71 m

## OPTIONAL REMOTE CONTROL INSTALLATION

Use the Masport Remote Control Kit (Part # 910-358/P) approved for this unit. Use of other systems may void your warranty.

The remote control kit comes with a hand held transmitter, a receiver and a wall mounting plate.

- 1) Choose a convenient location on the wall to install the receiver and the receptacle box (protection from extreme heat is very important). Run wires from the fireplace to that location. Use Thermostat Wire Table.
- 2) Connect the two wires to the gas valve. See diagram below.
- 3) Install a 9V alkaline battery in both receiver and the transmitter. Install the receiver and cover in the wall. The remote control is now ready for operation.



# INSTALLATION

## REMOTE WALL SWITCH

**Note:** We recommend a maximum of 15'(4.6m) of wire but if you wish to go with a longer run use the *Thermostat Wire Table*.

Wire as per wiring diagram.

### Caution

**Do not wire millivolt remote wall switch for gas appliance to a 240V AC power supply.**

## FINAL CHECK

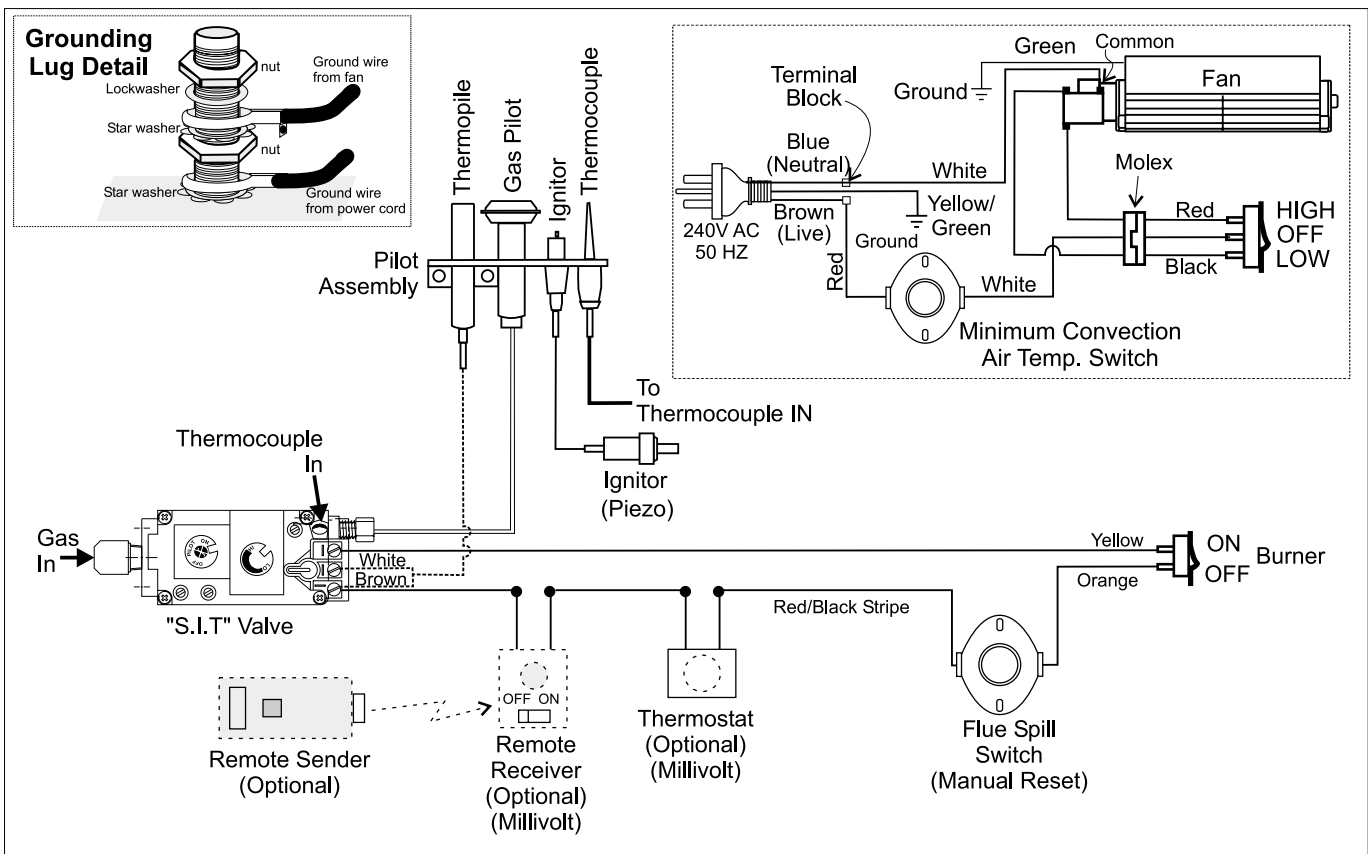
Before leaving this unit with the customer, the installer must ensure that the appliance is firing correctly. This includes:

- 1) Clacking the appliance to ensure the correct firing rate (rate noted on label) at 15 minutes.
- 2) If required, adjusting the primary air to ensure that the flame does not carbon. First allow the unit to burn for 15 min. to stabilize.

### CAUTION

**Any alteration to the product that causes sooting or carboning that results in damage to the exterior facia is not the responsibility of the manufacturer.**

## WIRING DIAGRAM





# OPERATING INSTRUCTIONS

## OPERATING INSTRUCTIONS

Before operating this appliance, proceed through the following check list.

- 1) Read and understand these instructions before operating this appliance.
- 2) **Clean the burner and control compartment of lint and house dust by brushing and vacuuming regularly. At least once a year.**
- 3) Never operate the appliance with any of the glass removed or with the door open.
- 4) Verify log placement. If the pilot cannot be seen when lighting the unit - the logs or the embers have been incorrectly positioned.
- 5) The unit should never be turned off and on without a minimum of a 60 second wait.

## LIGHTING INSTRUCTIONS

**IMPORTANT:** The PILOT knob cannot be turned from *pilot* to *off* unless it is partially depressed.

**Note:** *Open the pedestal door of the unit before lighting the pilot. Once the pilot is lit, close the door. You should never operate the unit with the door open.*

- 1) If the PILOT knob is in the **off** position proceed to Step 4.

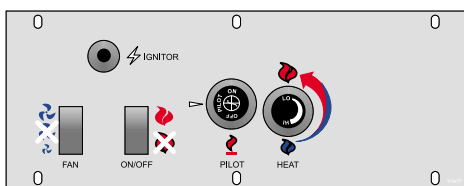


Diagram 1

- 2) Push in PILOT knob slightly and turn clockwise to **off**. Knob cannot be turned from **pilot** to **off** unless knob is pushed in slightly. Do not force.
- 3) Wait five minutes to allow gas, that may have accumulated in the main burner compartment, to escape. If you smell gas, follow the instructions on the front of this manual. If you don't smell gas continue on to the next step.
- 4) Turn the PILOT knob counterclockwise to **pilot** and align it with the arrow as shown in diagram 1.
- 5) Push in PILOT knob all the way in and hold. Immediately

push IGNITOR button until pilot lights. Continue to hold the PILOT knob in for approximately one minute, then release the PILOT knob. The pilot flame should continue to burn. If the pilot does not remain lit, repeat operation allowing a longer period before releasing PILOT knob.

- 6) Turn PILOT knob counter clockwise to **on**.
- 7) Use the ON/OFF switch to turn on the burner.
- 8) Rotate the HEAT control to adjust the flame height **higher** or **lower**.

## SHUTDOWN INSTRUCTIONS

- 1) Use the ON/OFF switch, wall switch, thermostat or remote control to turn off the burner.
- 2) Push in the PILOT knob slightly and turn clockwise to off. Do not force.
- 3) Turn off all electric power to the appliance if service is to be performed.

## FIRST FIRE

The **FIRST FIRE** in your heater is part of the paint curing process. To ensure that the paint is properly cured, it is recommended that you burn your fireplace for at least four (4) hours the first time you use it with the fan on. When first operated, the unit will release an odour caused by the curing of the paint and the burning off of any oils remaining from manufacturing. Smoke detectors in the house may go off at this time. Open a few windows to ventilate the room for a couple of hours. The glass may require cleaning.

**DO NOT ATTEMPT TO CLEAN THE GLASS WHILE IT IS STILL HOT!**

**Note:** *When the glass is cold and the appliance is lit, it may cause condensation and fog the glass. This condensation is normal and will disappear in a few minutes as the glass heats up.*

**DO NOT BURN THE APPLIANCE WITHOUT THE GLASS FRONT IN PLACE.**

# OPERATING INSTRUCTIONS

## COPY OF THE LIGHTING PLATE INSTRUCTIONS

### FOR YOUR SAFETY READ BEFORE LIGHTING

This appliance must be installed in accordance with local codes, if any; if not, follow the current CAN1-B149/ANSI Z 223.1 (Australia: AG601, New Zealand: NZS 5261)

**WARNING:** If you do not follow these instructions exactly, a fire or explosion may result causing property damage, personal injury or loss of life. Improper installation, adjustment, alteration, service or maintenance can cause injury or property damage. Refer to the owner's information manual provided with this appliance. For assistance or additional information consult a qualified installer, service agency or gas supplier.

A) This appliance has a pilot which must be lighted by hand, following the instructions below exactly.

B) **BEFORE LIGHTING** smell all around the appliance area for gas. Be sure to smell next to the floor because some gas is heavier than air and will settle on the floor.

#### WHAT TO DO IF YOU SMELL GAS

- Do not try to light any appliance
- Do not touch any electric switch, do not use any phone in your building
- Immediately call your gas supplier from a neighbors phone. Follow the gas supplier's instructions.
- If you cannot reach your gas supplier, call the fire department.

C) Use only your hand to push in or turn the gas control knob. Never use tools. If the knob will not push in or turn by hand, don't try to repair it, call

a qualified service technician. Force or attempted repair may result in a fire or explosion.

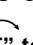

D) Do not use this appliance if any part has been under water. Immediately call a qualified service technician to inspect the appliance and to replace any part of the control system and any gas control which has been under water.

This appliance needs fresh air for safe operation and must be installed so there are provisions for adequate combustion and ventilation air.

**CAUTION:** Hot while in operation. Do not touch. Severe Burns may result. Due to high surface temperatures keep children, clothing and furniture, gasoline and other liquids having flammable vapors away. Keep burner and control compartment clean. See installation and operating instructions accompanying appliance.

### LIGHTING INSTRUCTIONS

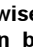
**STOP!** Read the safety information above on this label.

- 1) Push in gas control knob slightly and turn clockwise  to "OFF". Knob cannot be turned from "PILOT" to "OFF" unless knob is pushed in slightly. Do not force.
- 2) Wait five (5) minutes to clear out any gas. If you then smell gas **STOP!** follow "B" in the safety information above on this label. If you don't smell gas, go to the next step.
- 3) Turn knob on gas control counterclockwise to "PILOT". 
- 4) Push in control knob all the way and hold in. Immediately push black button on spark igniter until pilot lights. Continue to hold the control knob in for about 1/2 minute after the pilot is lit.

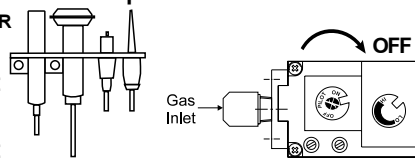
Release knob and it will pop back up. Pilot should remain lit. If it goes out, repeat steps 3) and 4).

If knob does not pop up when released, stop and immediately call your service technician or gas supplier.

If the pilot will not stay lit after several tries, turn the gas control knob to "OFF" and call your service technician or gas supplier.

- 5) Turn gas control knob counterclockwise  to "ON".
- 6) Use rocker switch to operate main burner.

PILOT BURNER  
VEILLEUSE  
THERMOPILE  
ELEMENT  
THERMO-  
ELECTRIQUE



### TO TURN OFF GAS APPLIANCE

- 1) Push in the gas control knob slightly and turn clockwise  to "OFF". Do not force.
- 2) Turn off all electric power to the appliance if service is to be performed.

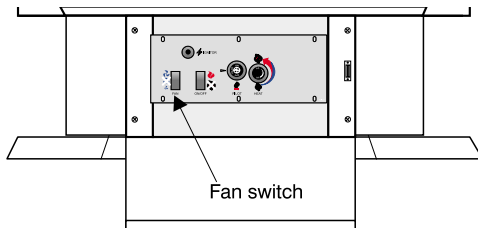
**DO NOT REMOVE THIS INSTRUCTION PLATE**

908-649

# OPERATING INSTRUCTIONS

## AUTOMATIC CONVECTION FAN OPERATION

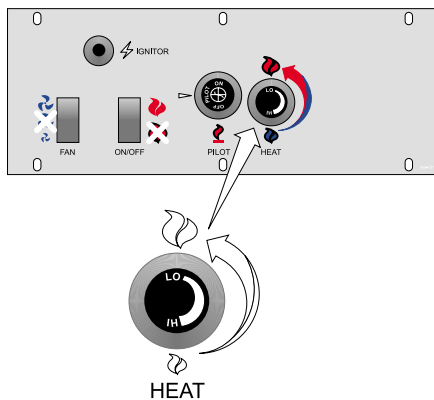
The fan operates automatically - set the switch on the side of the faceplate to High or Low. The fan will turn on as the heater comes up to operating temperature. After the unit has been turned off and cools to below a useful heat output range the fan will shut off automatically.



## ADJUSTING FLAME HEIGHT

Your heater has an adjustable flame to tailor the look and heat output to your specific needs. It is adjusted by turning the flame adjustment dial on the gas control valve.

Turn clockwise to adjust the flame higher, counterclockwise for a lower flame.



### **WARNING**

**DO NOT SPRAY AEROSOLS IN THE VICINITY OF THIS APPLIANCE WHILE IN OPERATION**

## NORMAL OPERATING SOUNDS OF GAS APPLIANCES

It is possible that you will hear some sounds from your gas appliance. This is perfectly normal due to the fact that there are various gauges and types of steel used within your appliance. Listed below are some examples. All are **normal operating sounds** and should not be considered as defects in your appliance.

### **Fan:**

Masport gas appliances use high tech fans to push heated air farther into the room. It is not unusual for the fan to make a "whirring" sound when ON. This sound will increase or decrease in volume depending on the speed setting of your fan speed switch.

### **Burner Tray:**

The burner tray is positioned directly under the burner tube(s) and logs and is made of a different gauge material from the rest of the firebox and body. Therefore, the varying thicknesses of steel will expand and contract at slightly different rates which can cause "ticking" and "cracking" sounds. You should also be aware that as there are temperature changes within the unit these sounds will likely re-occur. Again, this is normal for steel fireboxes.

### **Fan Thermodisc:**

When this thermally activated switch turns ON it will create a small "clicking" sound. This is the switch contacts closing and is normal.

### **Pilot Flame:**

While the pilot flame is on it can make a very slight "whisper" sound.

### **Gas Control Valve:**

As the gas control valve turns ON and OFF, a dull clicking sound may be audible, this is normal operation of a gas regulator or valve.

### **Unit Body/Firebox:**

Different types and thicknesses of steel will expand and contract at different rates resulting in some "cracking" and "ticking" sounds will be heard throughout the cycling process.

# MAINTENANCE

## MAINTENANCE INSTRUCTIONS

1) Always turn off the valve before cleaning. For relighting, refer to lighting instructions. Keep the burner and control compartment clean by brushing and vacuuming at least once a year. When cleaning the logs, use a soft clean paint brush as the logs are fragile and easily damaged.

2) Clean glass (never when unit is hot), appliance, louvres, and door with a damp cloth. Never use an abrasive cleaner. The gold louvres (and optional gold door) may be scratched if abrasives are used to clean them.

The heater is finished in a heat resistant paint and should only be refinished with heat resistant paint (not with wall paint). Masport uses StoveBright Paint - Metallic Black #6309.

3) Make a periodic check of burner for proper position and condition. Visually check the flame of the burner periodically, making sure the flames are steady; not lifting or floating. If there is a problem, call a authorised service person.

4) The appliance and flueing system must be inspected before use, and at least annually, by a authorised field service person, to ensure that the flow of combustion and ventilation air is not obstructed.

During the annual service call, the burners should be removed from the burner tray and cleaned. Replace the embers but do not block the pilot.

5) Keep the area near the appliance clear and free from combustible materials, gasoline, and other flammable vapours and liquids.

**WARNING: CHILDREN AND ADULTS SHOULD BE ALERTED TO THE HAZARDS OF HIGH SURFACE TEMPERATURE AND SHOULD STAY AWAY TO AVOID BURNS OR CLOTHING IGNITION. YOUNG CHILDREN SHOULD BE CAREFULLY SUPERVISED WHEN THEY ARE IN THE SAME ROOM AS THE APPLIANCE.**

**DO NOT USE THIS APPLIANCE IF ANY PART HAS BEEN UNDER WATER. IMMEDIATELY CALL A AUTHORISED SERVICE TECHNICIAN TO INSPECT THE APPLIANCE AND TO REPLACE ANY PART OF CONTROL SYSTEM AND ANY GAS CONTROL WHICH HAS BEEN UNDER WATER.**

**CAUTION: ANY SAFETY SCREEN OR GUARD REMOVED FOR SERVICING AN APPLIANCE MUST BE REPLACED PRIOR TO OPERATING THE APPLIANCE.**

**CLOTHING OR OTHER FLAMMABLE MATERIAL SHOULD NOT BE PLACED ON OR NEAR THE APPLIANCE.**

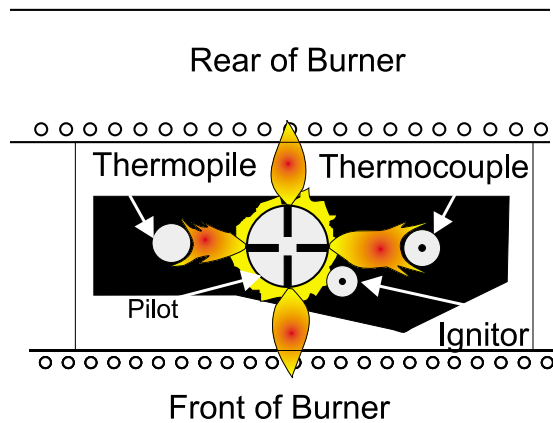
6) Each time the appliance is lit, it may cause condensation and fog the glass. This condensation and fog is normal and will disappear in a few minutes as the glass heats up.

**Never operate the appliance without the glass properly secured in place or with the door open.**

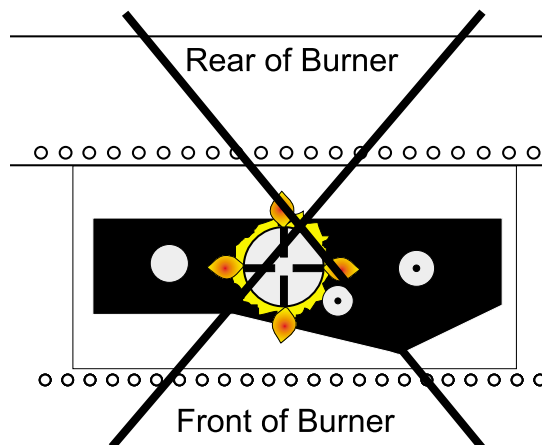
7) Periodically check the pilot flames. Correct flame pattern has four strong blue flames: 1 flowing around the thermopile and 1 around the thermocouple, 1 flowing across the rear of burner and 1 reaching towards the front of burner (it does not have to be touching the burner).

**Note: If you have an incorrect flame pattern, contact your Masport dealer for further instructions.**

Top View of pilot flame



**Incorrect pilot flame pattern will have small, probably yellow flames, not coming into proper contact with the rear burner or thermopile.**



## GENERAL FLUE MAINTENANCE

Conduct an inspection of the flueing system semi-annually. Recommended areas to inspect as follows:

- 1) Check the Flueing System for corrosion in areas that are exposed to the elements. These will appear as rust spots or streaks, and in extreme cases, holes. These components should be replaced immediately.
- 2) Check for evidences of excessive condensation, such as water droplets forming in the inner liner, and subsequently dripping out the joints. Continuous condensation can cause corrosion of caps, pipe, and fittings. It may be caused by having exterior portions of the system being exposed to cold weather.
- 3) Inspect joints, to verify that no pipe sections or fittings have been disturbed, and consequently loosened.

## LOG REPLACEMENT

The unit should never be used with broken logs. Turn off the gas valve and allow the unit to cool before opening door to carefully remove the logs. The pilot light generates enough heat to burn someone. If for any reason a log should need replacement, you must use the proper replacement log. The position of these logs must be as shown in the diagram under Log Installation.

**Note:** *Improper positioning of logs may create carbon build-up and will alter the unit's performance which is not covered under warranty.*

## GLASS REPLACEMENT

Your Masport heater is supplied with high temperature, 5mm Neoceram silica coated ceramic glass that will withstand the highest heat that your unit will produce. In the event that you break your glass, purchase your replacement from an authorized Masport dealer only, and follow the step-by-step instructions for replacement.

### Removing Glass:

**Note:** *Wearing gloves will protect your hands while handling glass.*

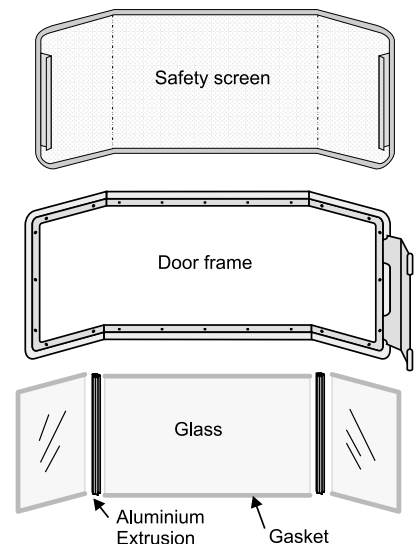
- 1) Remove the door from the unit and place on a soft surface to prevent scratching.
- 2) Pull out the door gasket.
- 3) Remove the 24 nuts holding the glass retainers in place. *Do not remove the nuts underneath the retainers.*
- 4) Remove the door catch plate.

- 5) Remove glass retainers on sides first (3 each side) then remove two center retainers.

**Note:** *Center glass retainers are glued to center glass.*

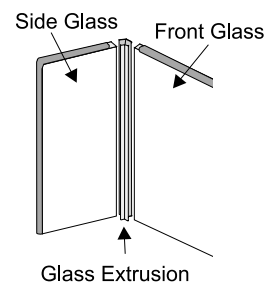
- 6) Remove glass from aluminium extrusions. When removing center glass, leave white insulation in place.

**Safety Screen:  
Only required in  
Australia**



### Installing Glass:

- 1) Install both center and side glass onto aluminium extrusions as per diagram.
- 2) Place glass assembly into door frame.
- 3) Install retainers by placing 1 drop of glue where previously glued and put in place.
- 4) Install side retainers.
- 5) Install door catch plate.
- 6) Install the 24 nuts loosely, do not tighten yet.
- 7) Tighten side panels nuts using the following procedure:
  - a. tighten top & bottom outside corner nuts (2)
  - b. tighten inside nuts (3)
  - c. tighten top & bottom inside corners (2)



- 8) Tighten the 10 nuts on center glass retainer.
- 9) Repeat step 7 for other side panel.
- 10) Replace new gasket by gluing it in place.
- 11) Install door onto stove and check the seal.

# MAINTENANCE

## GOLD-PLATED DOORS

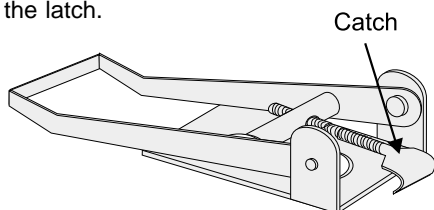
The 24 carat gold plated finish on the door requires little maintenance, and need only be cleaned with a damp cloth. DO NOT use abrasive materials or chemical cleaners, as they may harm the finish and void the warranty. Clean any fingerprints off before turning the unit on. **If the door starts to discolour, check the gasket seal and replace if necessary.**

## DOOR GASKET

If the door gasket requires replacement use 7/8" diameter oval door gasket (Part # 650-920).

## LATCH ADJUSTMENT

The door latch may require adjustment as the door gasket material compresses after a few fires and after glass replacement. Turn the handle on the adjustable catch to tighten or loosen the latch.



## FAN MAINTENANCE - FR27

If your fan requires maintenance or replacement, access to the fan is through the plate on the rear wall of the firebox. **NOTE: the unit MUST NOT be operated without the fan access panel securely in place and correctly sealed.**

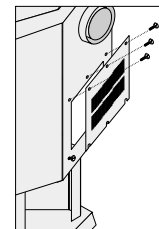
**IMPORTANT: These fans collect a lot of dust from within your home. Ensure you maintain these fan motors on a regular basis by vacuuming out the fan squirrel cages, around the motor, and around the grills on the back of the stove.**

**IMPORTANT**  
Disconnect power supply before servicing

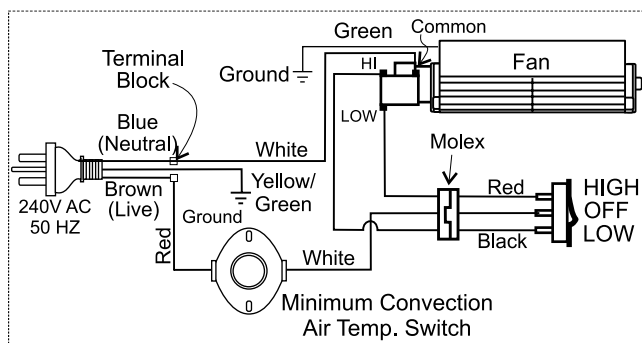
**WARNING: Electrical Grounding Instructions**  
This appliance is equipped with a three pronged (grounding) plug for your protection against shock hazard and should be plugged directly into a properly grounded three-prong receptacle. Do not cut or remove the grounding prong from this plug.

To remove fan:

- 1) Unplug or disconnect power source to stove.
- 2) Remove the rear access panel on the back of the stove.



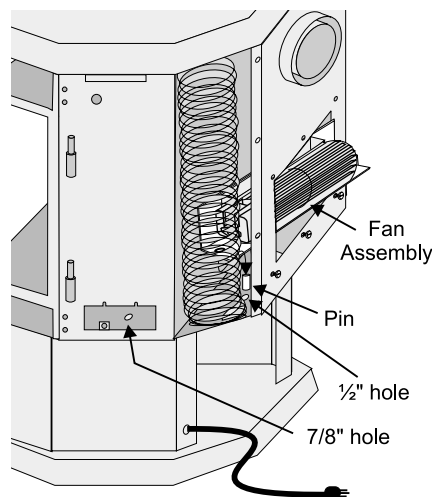
- 3) Unclip the black and white wires from the fan motor.
- 4) Lift fan off of the 2 pins, tip back and pull through the opening. Disconnect the green ground wire from the right side of the fan as soon as you can reach it.



Replacing Fan:

Reverse the above steps (1 - 4). Make sure the fan wires and the ground wire are reattached.

*Hint for pushing fan down onto pins - rub a bit of dish soap on the grommet so it will slide more easily onto the pin. Check to make sure the fan is seated properly on the pins - try to move the fan back and forth, there should be no noise, if there is check that the grommets haven't come loose.*

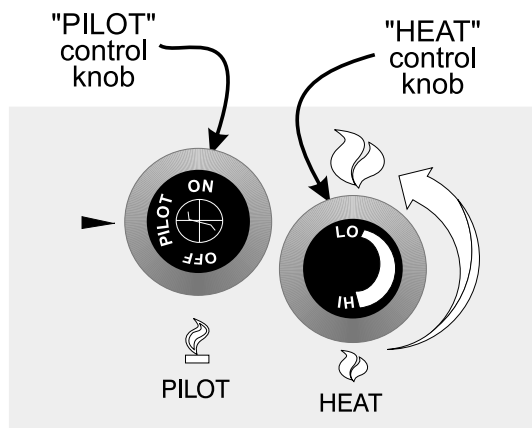
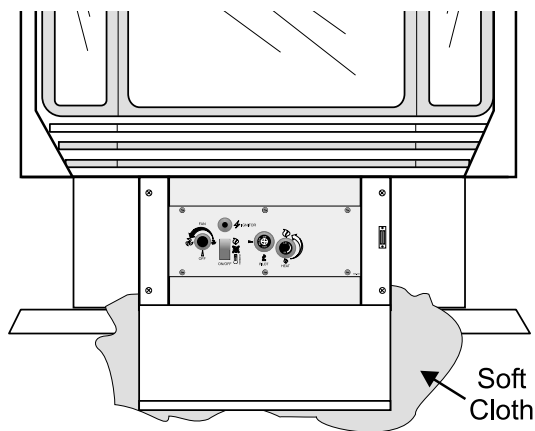


## REMOVING VALVE

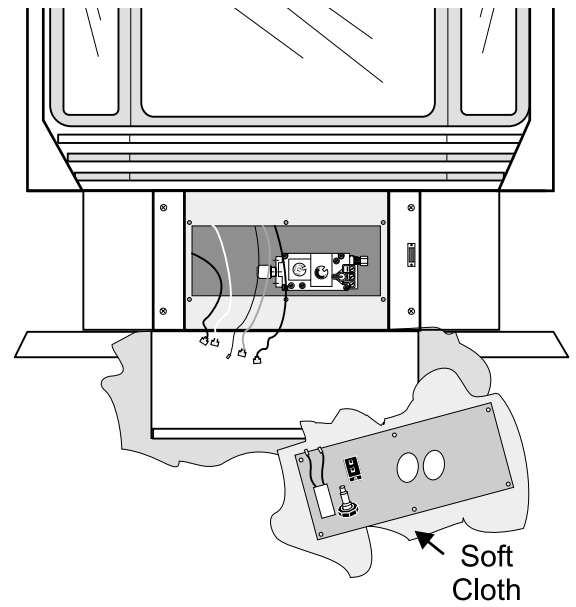
If your valve requires maintenance or replacement, follow these instructions:

**NOTE: Always shut off the gas supply before removing the valve.**

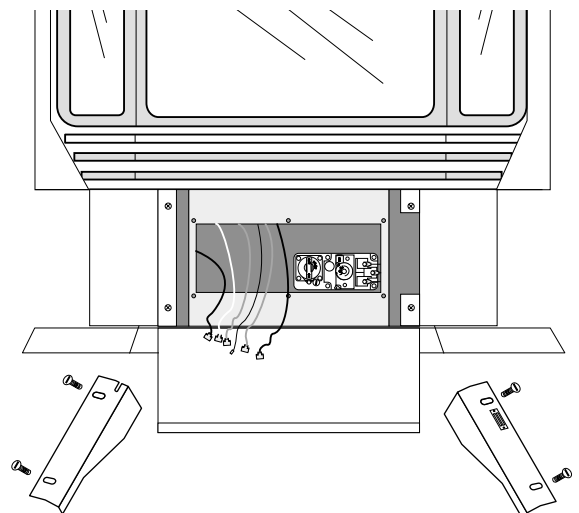
- 1) Open front pedestal door and unhook chain. You may want to put a soft cloth on the base of the unit so that when the pedestal door is open it doesn't scratch the paint. See diagram below.



- 2) Undo the six screws holding the control panel in place.
- 3) Disconnect all wires from the back of the panel and then remove panel. You should lay the panel on a soft cloth so it doesn't get marked up. See diagram below.



- 4) Remove the two outside frame pieces by removing two screws per side. See diagram below.



# MAINTENANCE

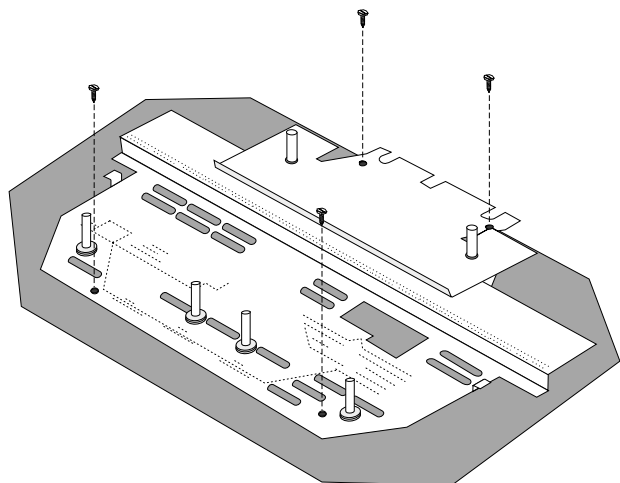
---

5) At this point you should disconnect the gas at the valve. You can access it through the front now that the control panel is off, or you can access it through the rear pedestal cover plate.

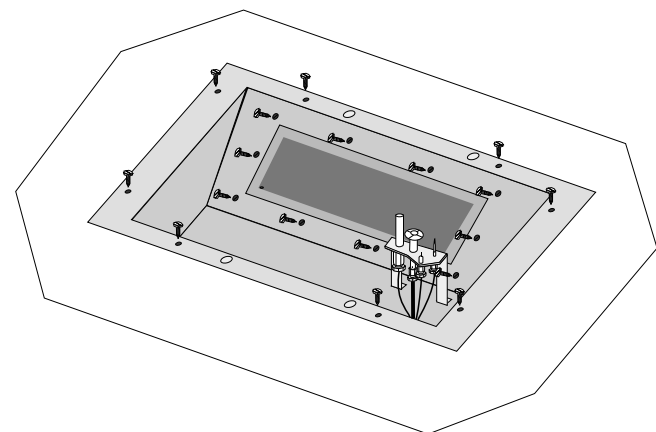
6) Carefully remove the logs, embers and rockwool.

7) Remove burner. See diagram below.

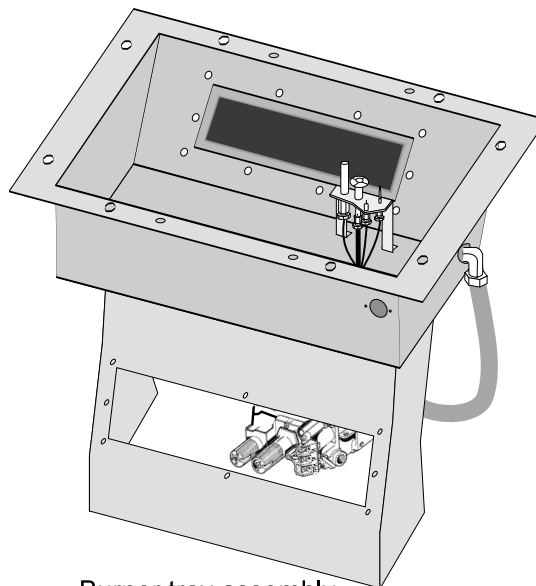
**Note:** Use a magnetic type screwdriver if possible.



8) Remove all 18 screws holding the burner tray assembly in place.



9) Carefully lift the burner tray assembly out.



Burner tray assembly,  
after being removed  
from the stove

10) To replace the burner tray assembly, simply reverse these instructions.



## TROUBLESHOOTING THE GAS CONTROL SYSTEM

**Note:** Before troubleshooting the gas control system, be sure external gas shut off is in the "on" position.

**WARNING:** BEFORE DOING ANY GAS CONTROL SERVICE WORK, REMOVE THE GLASS FRONT.

TROUBLESHOOTING GUIDE		
PROBLEM	POSSIBLE CAUSES	CORRECTIVE ACTION
Spark igniter will not light pilot.	Piezo wire loose Defective Piezo igniter. Piezo wire grounding out. Electrode is grounding out and/or wrong location.	<ul style="list-style-type: none"> <li>Check for spark at electrode and pilot. If no spark, disconnect wire at electrode and put wire to ground and try igniter again. If still no spark follow Piezo wire to Piezo igniter to see where grounding may be occurring.</li> <li>Bend electrode into pilot so gas may be able to contact spark.</li> </ul>
Pilot will not stay lit after carefully following lighting instructions.	Defective thermopile. Defective thermocouple. Thermopile/thermocouple grounding out. Loose thermopile leads. TP-THTP on valve.  Defective automatic gas valve.	<ul style="list-style-type: none"> <li>Check pilot flame, must impinge on thermopile and thermocouple.</li> <li>Clean and/or adjust pilot so pilot is enveloped around thermopile and thermocouple.</li> <li>Be sure wire connections at gas valve terminals are tight and thermopile and thermocouple are fully inserted into pilot bracket.</li> <li>One of the switch wires may be grounded. May be grounded to gas appliance or gas supply.</li> <li>Check thermopile with millivolt meter. Take reading at thermopile terminals of valve TP-TPTH. Should read 250 millivolts minimum while holding valve knob in pilot position with pilot on and wall switch/two way switch off.</li> <li>Replace if lower than specified minimum.</li> <li>Turn valve knob to on including pilot. Take reading at TP-TPTH with on/off switch in the on position. Reading should be 100mv or greater. If reading is okay and pilot does not hold, replace gas valve.</li> </ul>
Pilot burning, no gas to burner. Valve knob is on. Wall switch is on.	Valve wire connections are loose. Valve wires are defective. Spill switch has not been reset (B-vent F/S). Spill switch is stuck in the open position. (B-vent INS - F/S).	<ul style="list-style-type: none"> <li>Check two way switch/wall switch for proper connections. Jumper wire across terminals at two way switch/wall switch. If burner comes on, replace switch.</li> <li>If okay, jumper wire at valve at TH-THTP. If unit turns on, replace wires and/or check where loose wires are.</li> </ul>
Frequent pilot outage problems.	Pilot flame may be too low or blowing high causing the pilot safety to drop out. Two way switch wires may be grounding out. Thermopile and/or thermocouple may be grounding out.	<ul style="list-style-type: none"> <li>Clean and/or adjust pilot for maximum flame impingement on thermopile and/or thermocouple.</li> <li>Trace wires from valve to two way switch/wall switch for possible grounding against gas appliance and/or gas supply.</li> <li>Trace thermopile wires from valve to thermopile for possible grounding against gas appliance and/or gas valve.</li> <li>Follow same steps for thermocouple.</li> </ul>
<p><b>Note:</b> For service technicians only. See the Masport Troubleshooting Guide for more detailed information. (Troubleshooting Masport Gas Products - Part # 908-439.)</p>		

## THE MASPORT EXPRESS WARRANTY

All new Masport Gas appliances are warranted, subject to the following conditions, to be free from defects in material or workmanship under normal use. The Express Warranty on all parts, including firebox components but excluding fans, flues and flue accessories is two years from date of original purchase as well as labour costs involved in the repair or replacement. The Express Warranty on fans, flues and accessories is for a period of twelve months from date of original purchase and includes labour costs involved in the repair or replacement.

This Express Warranty applies only with respect to defects in material and workmanship under normal and proper use of the NEW UNIT in its unmodified condition. Masport's obligation under this Express Warranty is limited to the repair or replacement, at its option, by an approved Masport Gas Service Agent (Retailer) of any part found to be defective in material or workmanship.

Labour costs involved in the repair or replacement are also covered under this Express Warranty as per the time condition outlined.

If an approved Masport Gas Service Agent is requested to attend on a service call that is not covered under this Express Warranty, a call out charge may be applicable, regardless of whether a repair is carried out or not.

Masport can accept no obligation whatsoever for any incidental, consequential or special damages or expenses resulting from any product defect. This Express Warranty applies from the date of original purchase, applies to the original purchaser, and is not transferable. The decision to repair or replace defective components will be made by Masport or its agent and actioned by an approved Masport Service Agent.

### This Express Warranty Does Not Cover:

1. Defects, malfunctions or failures caused by incorrect installation, normal wear and tear, misuse, neglect, accidental damage or failure to follow the fuel selection, product operating and maintenance instructions, or resulting from installations, repairs or modifications to the equipment carried out by unauthorised persons.
2. Defects, malfunctions or failures caused by an act or omission of other persons after the product has left Masport's control.
3. The costs of collection and delivery of the equipment.
4. The cost of labour or materials as a consequence of faulty installation of gas supply line, flue, burner or log settings, or non-compliance with local codes.

**The Express Warranty is not intended to exclude any rights the purchaser may have under the laws of the place, state, or country of purchase. Nothing in this Express Warranty limits or restricts any other statutory right or remedy available to the purchaser.**

### How You Obtain Warranty Service:

Provide proof of the date of purchase. Should the need for a warranty claim arise reasonable proof of the purchase date is required therefore you should retain your sales receipt. Where flueless appliances are not permanently installed, they should be returned to a Service Agent for evaluation.

Make the faulty part(s) available for inspection by Masport and/or its agents so that the validity of the claim can be established by them.

---

### Australia Distributor:

Masport Pty Limited  
P.O. Box 533  
Mordialloc 3195  
Victoria

### New Zealand:

Masport Limited  
P.O. Box 14-349  
Panmure  
Auckland 6

---

For your own records, please complete the following:

Model: _____	Serial Number: _____
Retailer: _____	
_____	
Purchase Date: _____	