

Masport[®] Heating

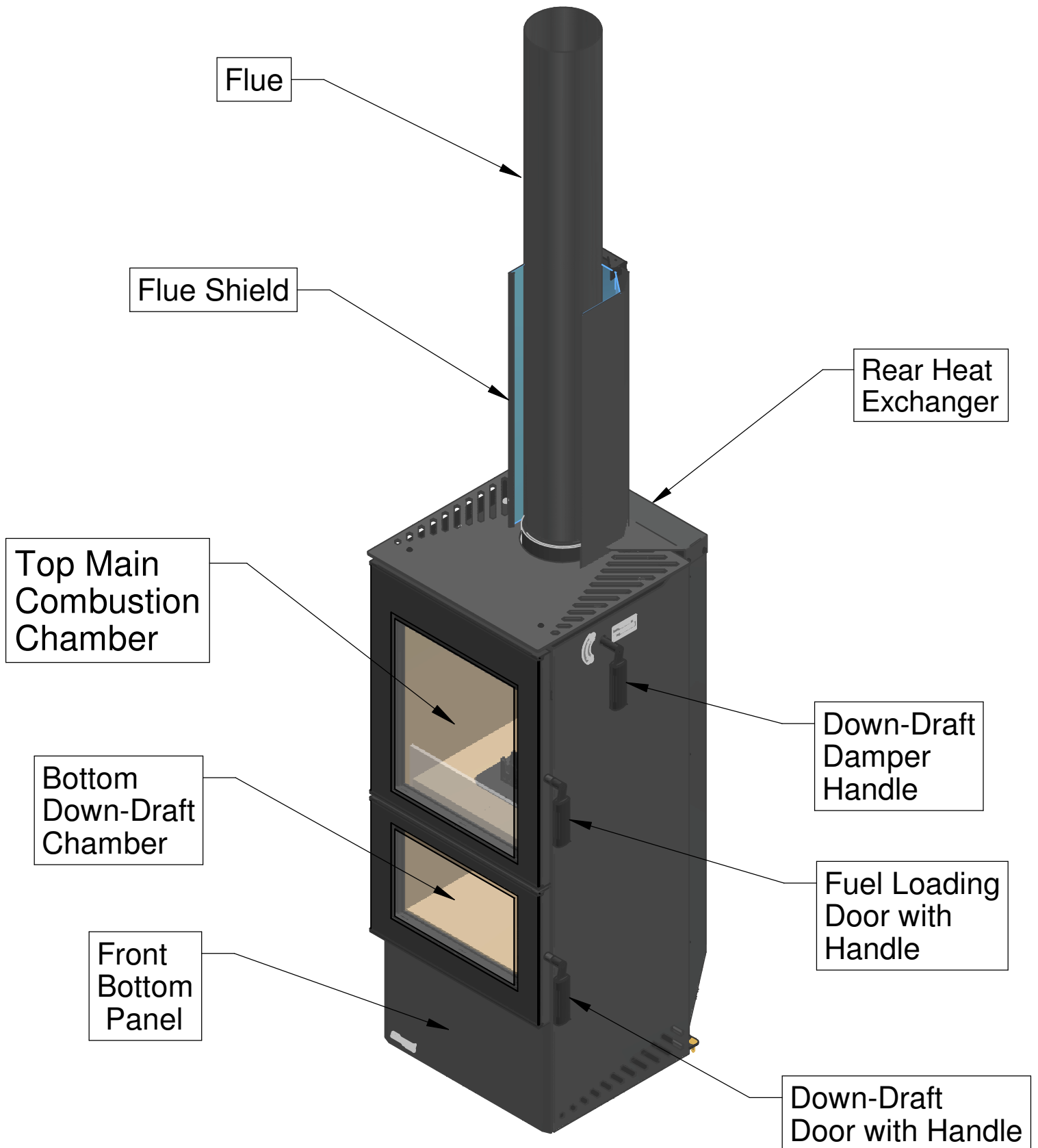
FREESTANDING WOOD FIRES

CROMWELL - NEW ZEALAND

Item No.	MARKET	FUEL TYPE	FINISHING	YEAR	FAN
998952	NZ	SOFTWOOD	Metallic Black VHT Paint	November-2017	No

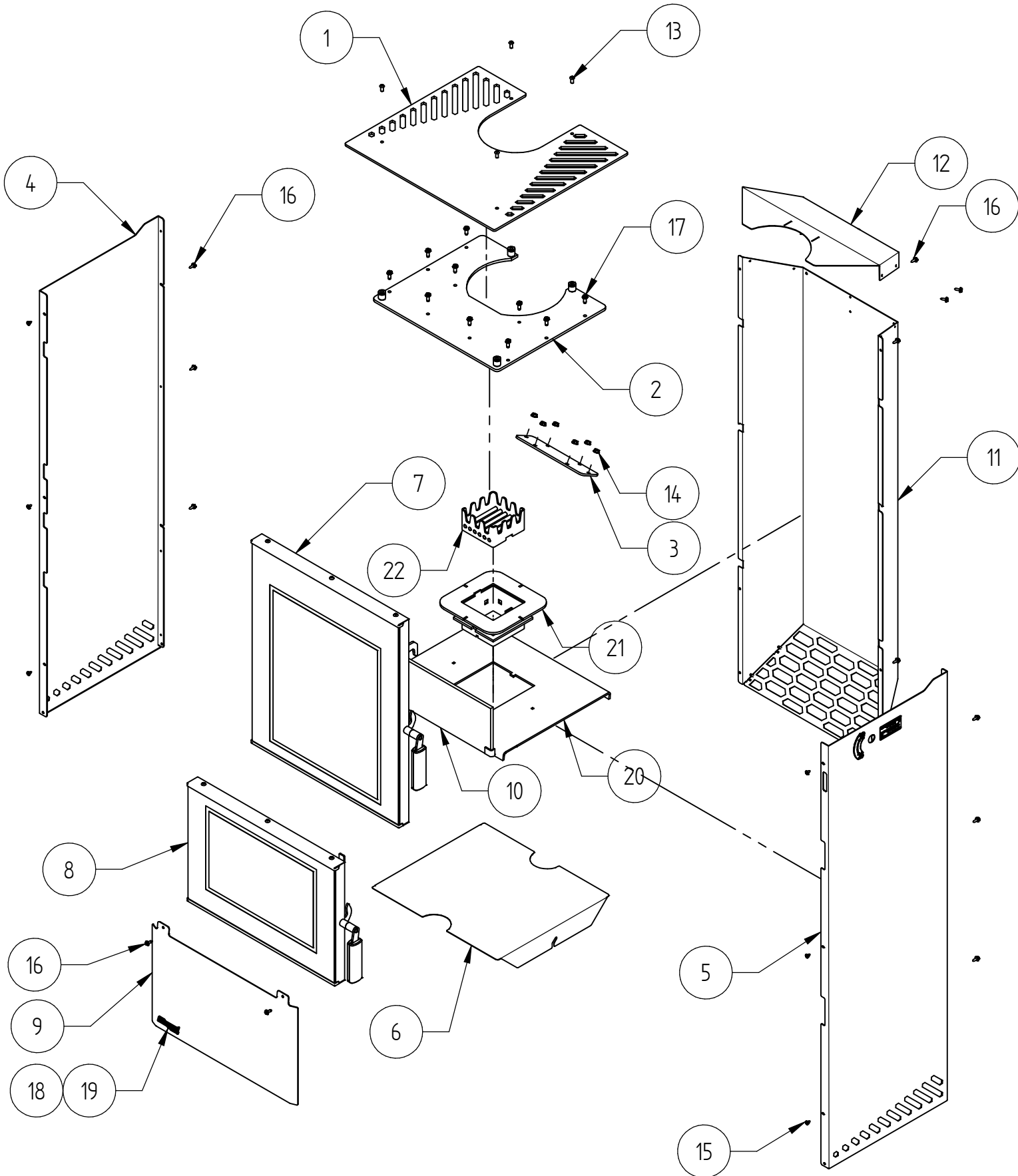


SCHEMATIC OF CROMWELL



When ordering PLEASE QUOTE PART ID, MODEL Number & DESCRIPTIONS, NOT ITEM Number
determining left hand side from viewing position

PANELS AND DOORS

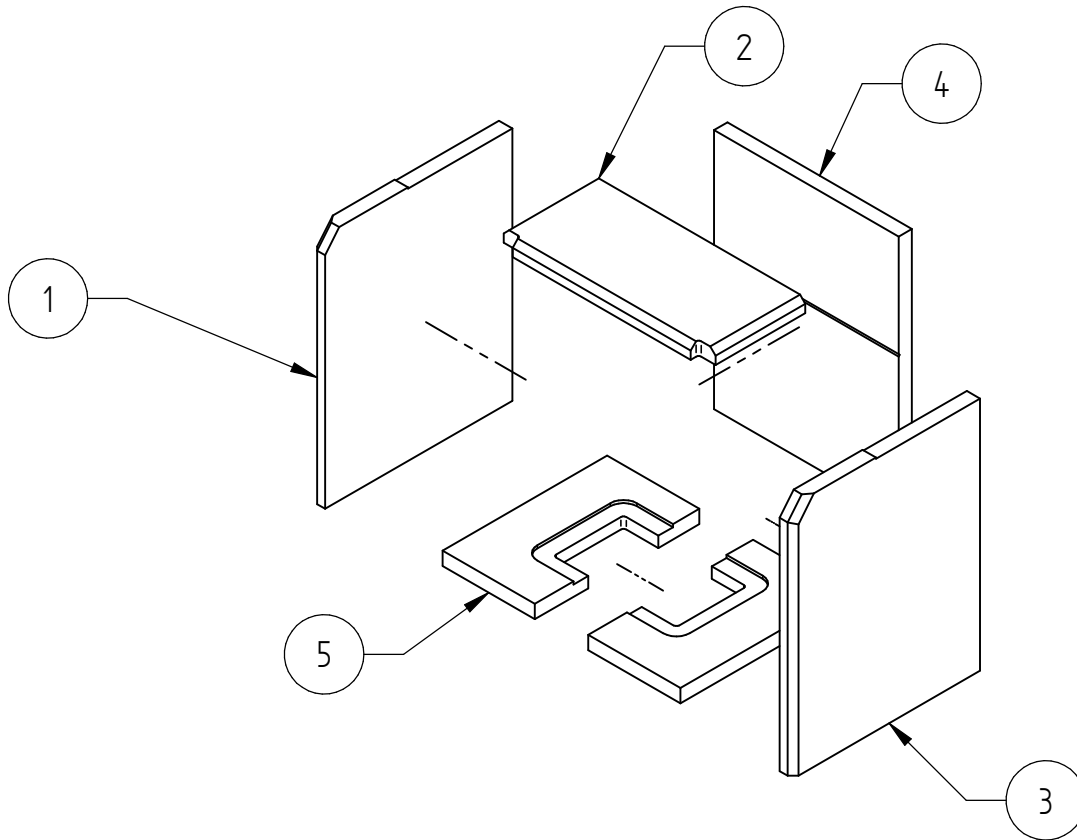


When ordering PLEASE QUOTE PART ID, MODEL Number & DESCRIPTIONS, NOT ITEM Number
determining left hand side from viewing position

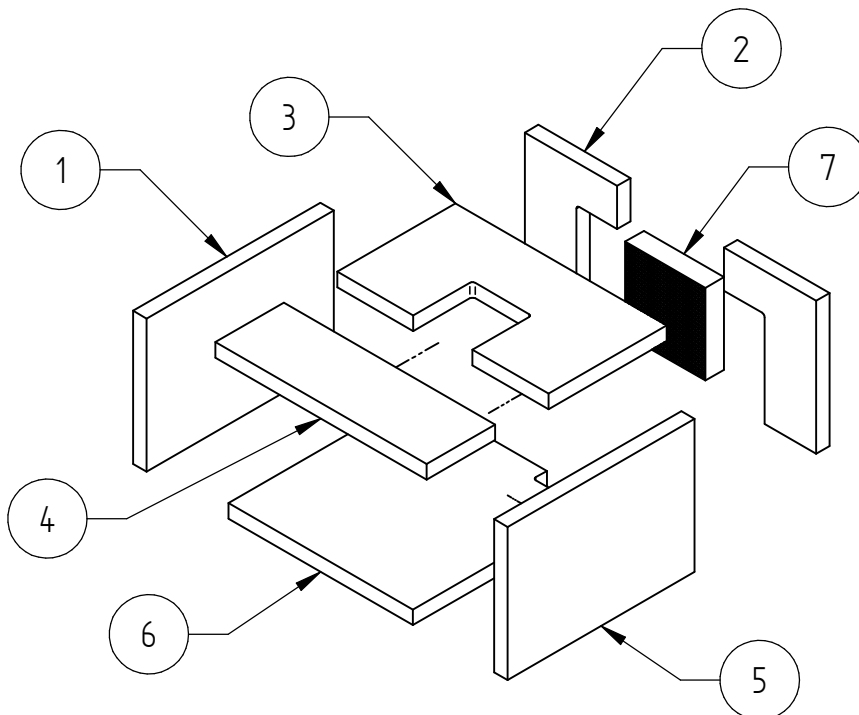
PANELS AND DOORS				
Item	Part ID	Model(s)	Description	Qty
		998951		
1	998229	V02	CROMWELL TOP PANEL MAT BLK VHT	1
2	998212	V02	CROMWELL HEAT SINK ASSEMBLY BLK VHT	1
3	998298	V02	CROMWELL HEAT EXCHANGER COVER VHT	1
4	998228	V02	CROMWELL SIDE PANEL L/H MAT BLK VHT	1
5	998226	V02	CROMWELL SIDE PANEL R/H MET BLK VHT	1
6	998218	V02	CROMWELL LOWER HEAT SHIELD BLK VHT	1
7	998285	-	CROMWELL TOP DOOR COMPLETE BLK VHT	1
8	998260	-	CROMWELL BOTTOM DOOR COMPL BLK VHT	1
9	998215	V02	CROMWELL FRONT PANEL ASSY BLK VHT	1
10	598395	-	TOP CHAMBER BARRIER GLASS 338X130X8	1
11	998211	V02	CROMWELL REAR PANEL MET BLK VHT	1
12	998240	V02	CROMWELL REAR TOP COVER MET BLK VHT	1
13	521810	-	SCREW; CAP M6X12 BUTTON ALLEN BLK	4
14	522801	-	NUT; SERRATED FLANGE M6 ZP	32
15	521627	-	SCREW; S/T 8GX3/8" MUSH FLANGE POZI BLK	6
16	521643	-	SCREW; S/T 8GX1/2" HEX POZI BLK	19
17	521632	-	SCREW;S/TM6X15HEX FLNGE NIC TAPTITE	10
18	587835	-	BADGE MASPORT HEATING	1
19	526009	-	CLIP; STARLOCK M4	2
20	998230	V02	CROMWELL RAISED FLOOR SUB ASSY	1
21	998250	V02	CROMWELL INJECTOR LOWER ASSY BLK VHT	1
22	998245	V02	CROMWELL INJECTOR TOP ASSY BLK VHT	1

When ordering PLEASE QUOTE PART ID, MODEL Number & DESCRIPTIONS, NOT ITEM Number
determining left hand side from viewing position

TOP BRICKS



BOTTOM BRICKS



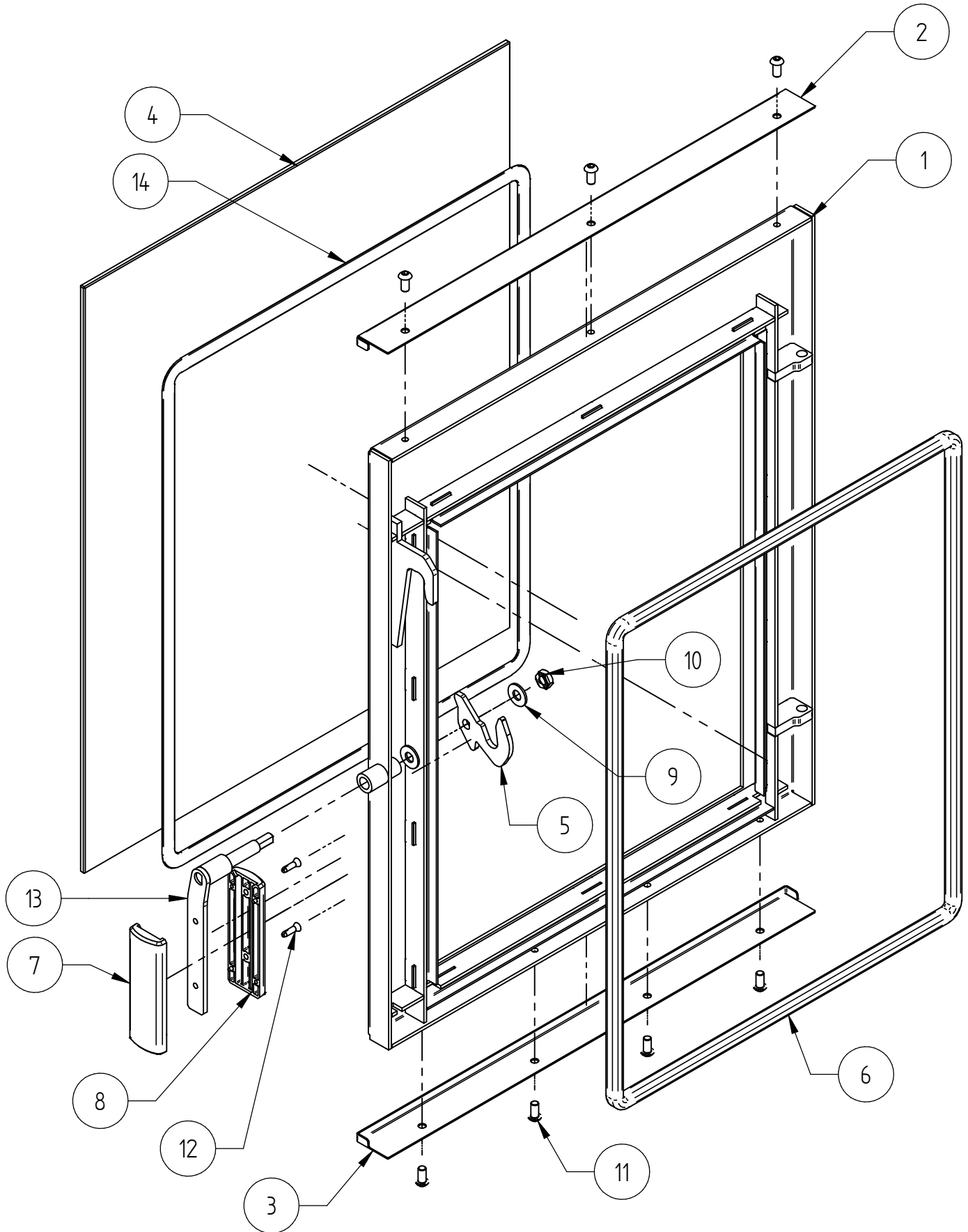
When ordering PLEASE QUOTE PART ID, MODEL Number & DESCRIPTIONS, NOT ITEM Number
determining left hand side from viewing position

TOP BRICKS				
Item	Part ID	Model(s)	Description	Qty
		998952		
1	998669		DD UC SIDE BRICK LH	1
2	998151		DD UC TOP BRICK	1
3	998131		DD UC SIDE BRICK RH	1
4	998130		DD UC REAR BRICK	1
5	998611		DD UC BASE BRICK LH	1
6	998612		DD UC BASE BRICK RH	1

BOTTOM BRICKS				
Item	Part ID	Model(s)	Description	Qty
		998952		
1	998136	-	DD LC SIDE BRICK	2
2	998137	-	DD LC REAR BRICK	2
3	998133	-	DD LC BRICK TOP REAR	1
4	998567	-	DD LC TOP FRONT BRICK	1
5	998135	-	DD LC BASE BRICK	1
6	598407	-	CERAMIC BLOCK	1

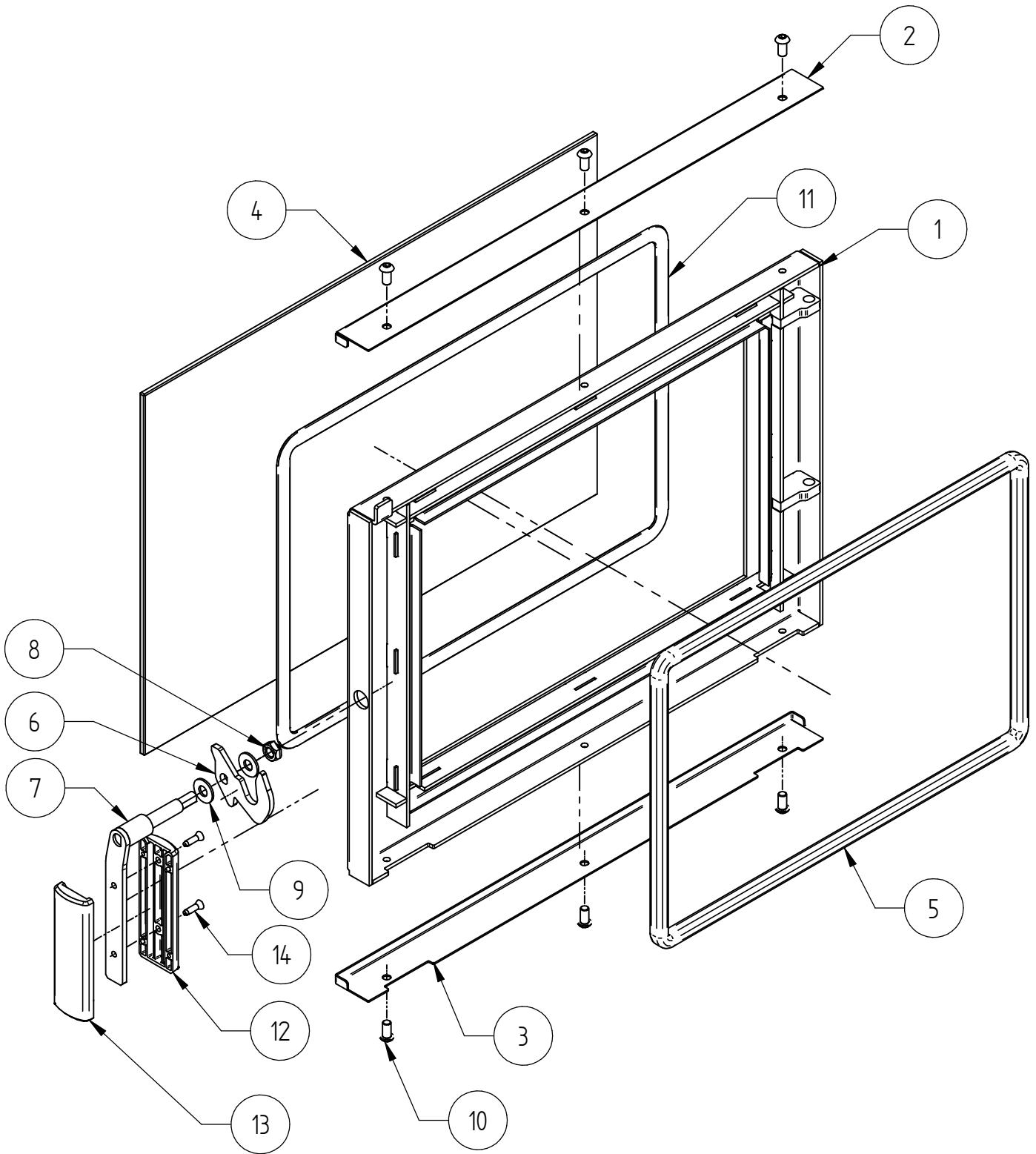
When ordering PLEASE QUOTE PART ID, MODEL Number & DESCRIPTIONS, NOT ITEM Number
determining left hand side from viewing position

UPPER DOOR ASSEMBLY



When ordering PLEASE QUOTE PART ID, MODEL Number & DESCRIPTIONS, NOT ITEM Number
determining left hand side from viewing position

LOWER DOOR ASSEMBLY



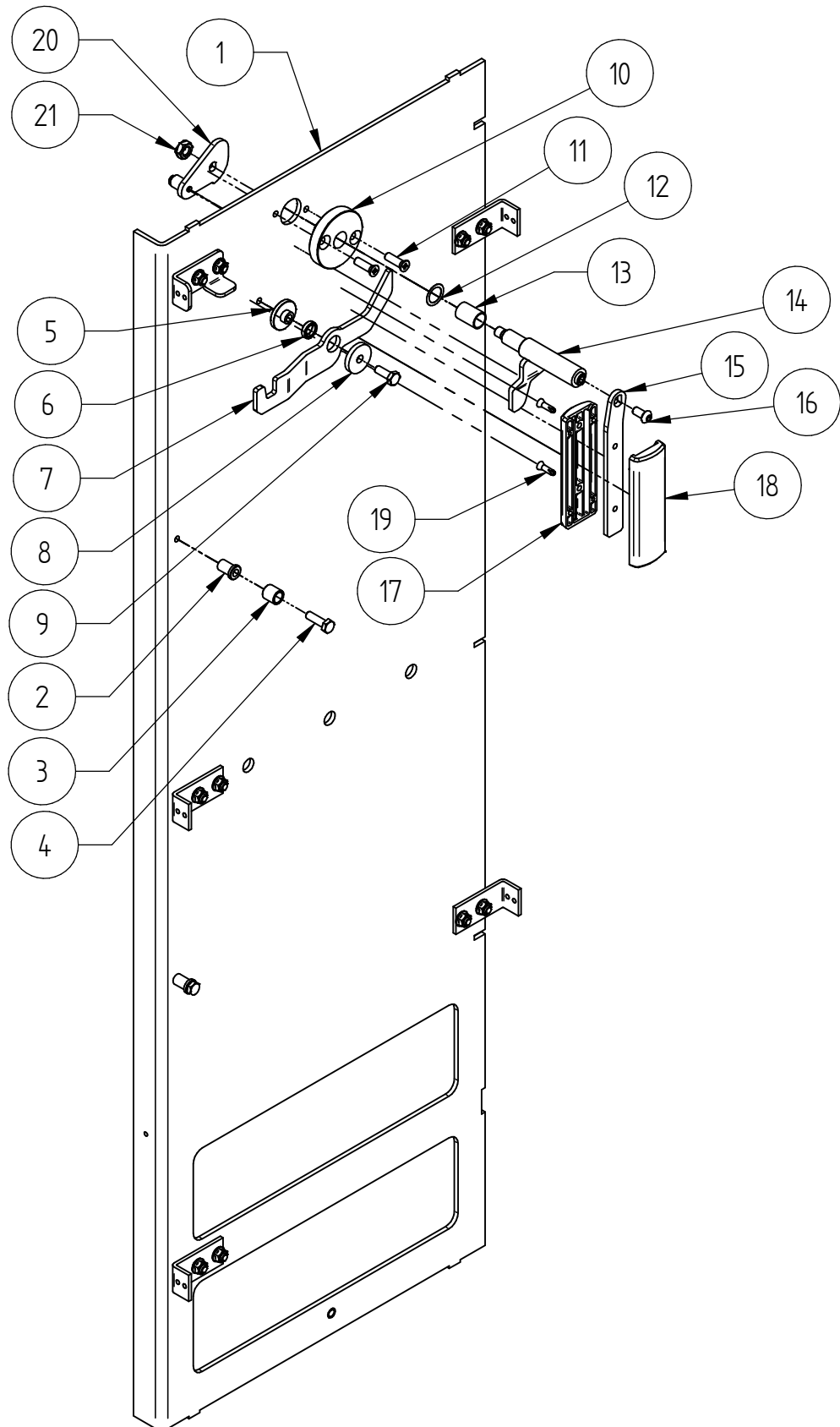
When ordering PLEASE QUOTE PART ID, MODEL Number & DESCRIPTIONS, NOT ITEM Number
determining left hand side from viewing position

UPPER DOOR ASSEMBLY : 998285				
Item	Part ID	Model(s)	Description	Qty
		998952		
1	998286	V02	CROMWELL DOOR SUB ASSY MET BLK VHT	1
2	998342	V02	DD GLASS RETAINER 3 HOLE	1
3	998773	V02	MYSTIQUE GLASS CAPPING BOTTOM VHT	1
4	598340	-	DD GLASS TOP 458X545X5	1
5	998265	-	CROMWELL DOOR LATCH BOTTOM FERROMOLY	1
6	598561	-	DD DOOR ROPE TOP	1
7	593598	-	DOOR HANDLE RH / FRONT PLASTIC	1
8	598599	-	DOOR HANDLE LH / REAR PLASTIC	1
9	523018	-	WASHER; FLAT 5/16"X5/8" BLK	2
10	522908	-	NUT; BINX M8 ZP	1
11	9521810	-	SCREW; CAP M6X12 BUTTON ALLEN BLK	7
12	521650	-	SCREW; 8GX5/8" S/S TYPE 25 C/S POZI	2
13	998263	-	DD BOTTOM DOOR HANDLE ASSY FERROMOLY	1
14	598660	-	DD 3 LAYER DOOR ROPE	1.8

LOWER DOOR ASSEMBLY : 998260				
Item	Part ID	Model(s)	Description	Qty
		998952		
1	998631	V02	MYSTIQUE BOTTOM DOOR SUB ASSY VHT	1
2	998342	V02	MYSTIQUE GLASS CAPPING MET BLK VHT	2
3	998262	V02	CROMWELL GLASS CAPPING MET BLK VHT	1
4	598341	-	BOTTOM DOOR GLASS 458X316X5	1
5	598562	-	DD BOTTOM DOOR ROPE SEAL	1
6	998265	-	CROMWELL DOOR LATCH BOTTOM FERROMOLY	1
7	598263	-	DD BOTTOM DOOR HANDLE ASSY FERROMOLY	1
8	522908	-	NUT;BINX M8 ZP	1
9	523018	-	WASHER; FLAT 5/16"X5/8" BLK	2
10	521810	-	SCREW; CAP M6X12 BUTTON ALLEN BLK	6
11	598660	-	DD GLASS ROPE BOTTOM	1.34
12	593599	-	DOOR HANDLE LH / REAR PLASTIC	1
13	593598	-	DOOR HANDLE RH / FRONT PLASTIC	1
14	521650	-	SCREW; 8GX5/8" S/S TYPE B C/S POZI	2

When ordering PLEASE QUOTE PART ID, MODEL Number & DESCRIPTIONS, NOT ITEM Number
determining left hand side from viewing position

DOOR MECHANISM



When ordering PLEASE QUOTE PART ID, MODEL Number & DESCRIPTIONS, NOT ITEM Number
determining left hand side from viewing position

DOOR MECHANISM				
Item	Part ID	Model(s)	Description	Qty
		998952		
1	998160	-	CROMWELL FIRE BOX ASSY	1
2	598580	-	DD DOOR CATCH BUSH FERROMOLY	2
3	598579	-	DD DOOR CATCH ROLLER FERROMOLY	2
4	521054	-	SCREW; M6X20 HEX ZP	2
5	598475	-	DD LOCKING PLATE BUSH FERROMOLY	1
6	598474	-	DD LOCKING PLATE ROLLER FERROMOLY	1
7	998292	-	CROMWELL UPPER DOOR LOCK PLATE	1
8	998667	-	DD LOCKING PLATE SPACER FERROMOLY	1
9	521076	-	SCREW; M6X16 HEX ZP	1
10	998190	-	CROMWELL INTERLOCK PAWL LINK	1
11	521042	-	SCREW; M6X20 CSK POZI ZP	2
12	523106	-	WASHER; WAVE - W61430R	1
13	598598	-	DD TEFLON BUSH ID-12 OD-14 LENGTH-20	1
14	998235	-	CROMWELL DAMPER HANDLE SHAFT ASSY	1
15	998239	-	CROMWELL PLATE HANDLE DAMPER FERROM	1
16	521810	-	SCREW; CAP M6X12 BUTTON ALLEN BLK	1
17	593599	-	DOOR HANDLE LH / REAR PLASTIC	1
18	593598	-	DOOR HANDLE RH / FRONT PLASTIC	1
19	521650		SCREW; 8Gx5/8" S/S TYPE B C/S POZI	2
20	998243		CROMWELL DAMPER LEVER SUB FERROMOLY	
21	522908		NUT;BINX M8 ZP	

When ordering PLEASE QUOTE PART ID, MODEL Number & DESCRIPTIONS, NOT ITEM Number
determining left hand side from viewing position

NOT ILLUSTRATED				
Item	Part ID	Models	Descriptions	Qty
		998952		
1	598675	-	INSTALLATION AND OPERATIONS MANUAL	1
2	597077	-	GLOVES LONG WELDING	1

SURFACE FINISH CODES FOR PANELS						
VITREOUS ENAMEL		VHT PAINT(Very High Temp)			POWDER COAT	
E01	MATT BLACK	V02	P-000022	METALLIC BLACK	P02	MATT BLACK
E02	GLOSS BLACK	V03	P-000043	CHARCOAL	P03	CHARCOAL
E03	CHARCOAL	V04	P-000081	TITANIUM	P05	SATIN BLACK
		V05	P-000051	CHARCOAL (DAM MET BLK)	P09	METTALIC BLACK
		V06	P-000052	METALLIC BLACK ZINC		
LESS FREQUENTLY OR OLD SURFACE FINISH CODES FOR PANELS						
VITREOUS ENAMEL		VHT PAINT(Very High Temp)			POWDER COAT	
E04	JASMINE	V01		SATIN BLACK HIGH TEMP	P01	BLUE/BLACK
					P04	GLOSS CHARCOAL
					P07	FLAT BLACK

When ordering PLEASE QUOTE PART ID, MODEL Number & DESCRIPTIONS, NOT ITEM Number
determining left hand side from viewing position