

Masport[®] Heating

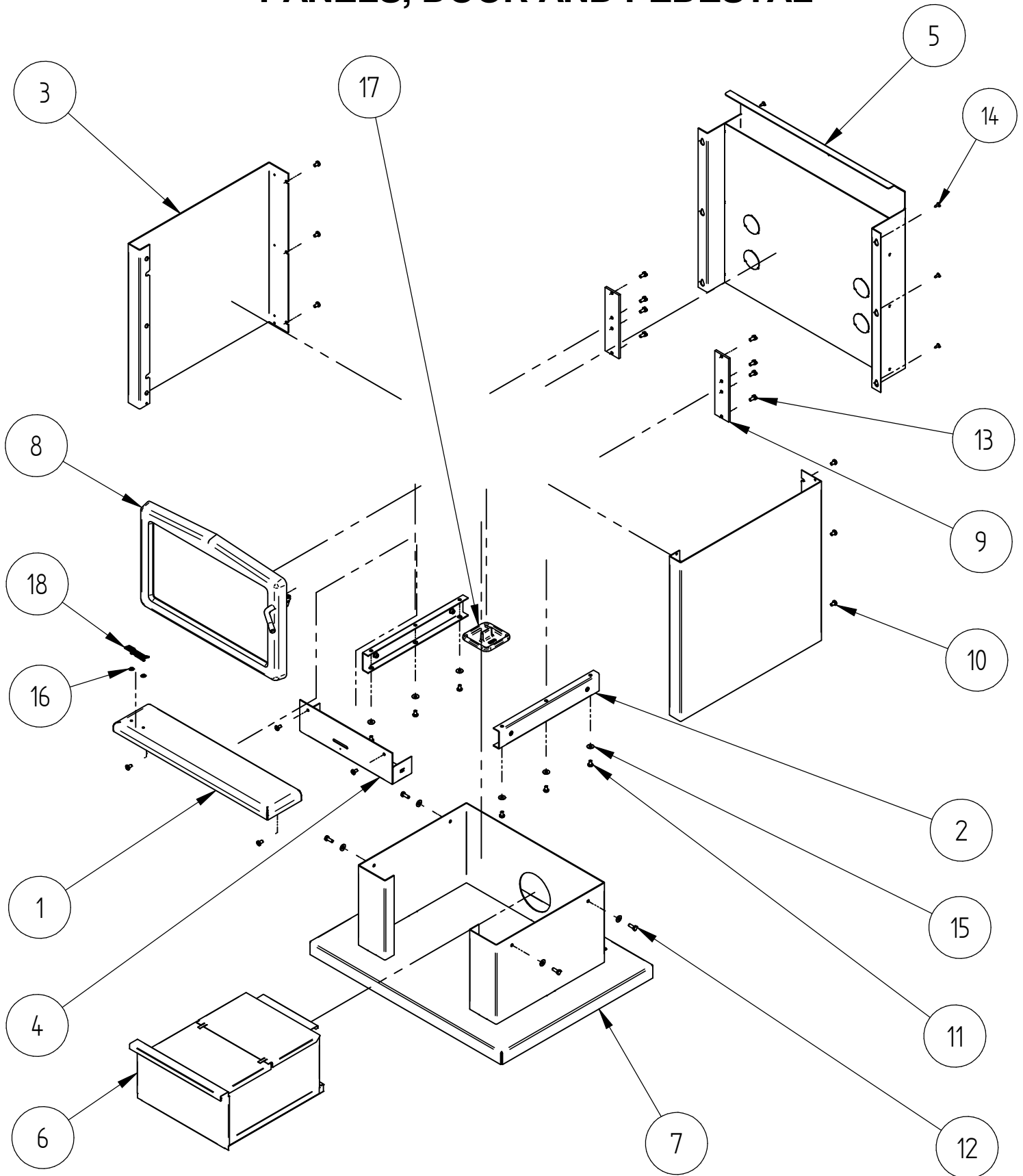
FREESTANDING WOOD FIRES

OSBURN 1600 (DRY) - NEW ZEALAND

Item No.	MARKET	FUEL TYPE	FINISH	YEAR	FAN
983900	NZ	SOFTWOOD	Metallic Black VHT Paint	Oct-2010	No



PANELS, DOOR AND PEDESTAL

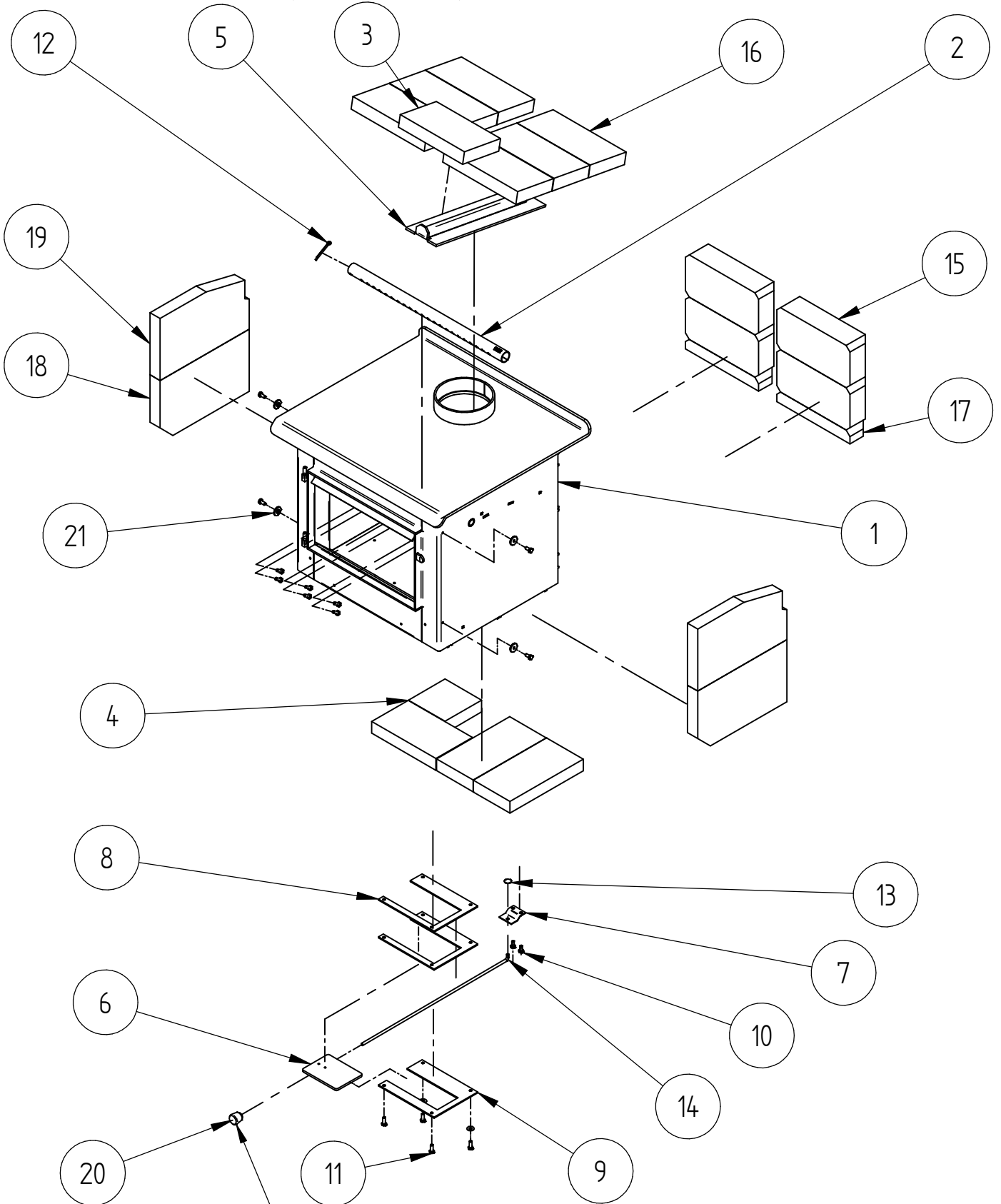


When ordering PLEASE QUOTE PART ID along with Finish Suffix (if applicable)

PANELS, DOOR AND PEDESTAL				
Item	Part ID	Model(s)	Description	Qty
		983900		
1	983014	V02	ASH SHELF, OSB1600	1
2	983037	-	REVNUT ASSEMBLY - BRACKET-PEDESTAL, OSB1600	2
3	983050	V02	PANEL-SIDE, OSB1600	2
4	983056	V02	"D" PANEL-AIR CONTROL, OSB1600	1
5	983058	V02	HEAT SHIELD-REAR, WELD ASSEMBLY - OSB1600	1
6	983060	V02	ASH DRAWER ASSY, OSB1600	1
7	983068	V02	PEDESTAL ASSEMBLY	1
8	983083	V02	DOOR ASSEMBLY COMPLETE, OSBURN 1600	1
9	983086	-	PLATE COVER, W/B HOLES	2
10	521045	-	SCREW; M6X10 PAN POZI BLK	10
11	521046	-	SCREW; M6X10 PAN POZI ZP	6
12	521052	-	SCREW; M6X16 HEX BLK	4
13	521075	-	SCREW; M6X12 HEX ZP	8
14	521605	-	SCREW; S/T 10GX1/2" PAN POZI ZP	6
15	523031	-	WASHER; FLAT M6 ZP	6
16	526001	-	CLIP; STARLOCK 4 DIA SLP04	2
17	683019	-	ASH DUMP CAP, OSB1600	1
18	587835	-	BADGE MASPORT HEATING	1

When ordering PLEASE QUOTE PART ID along with Finish Suffix (if applicable)

AIRSLIDE, BAFFLE, BRICKS AND FIREBOX



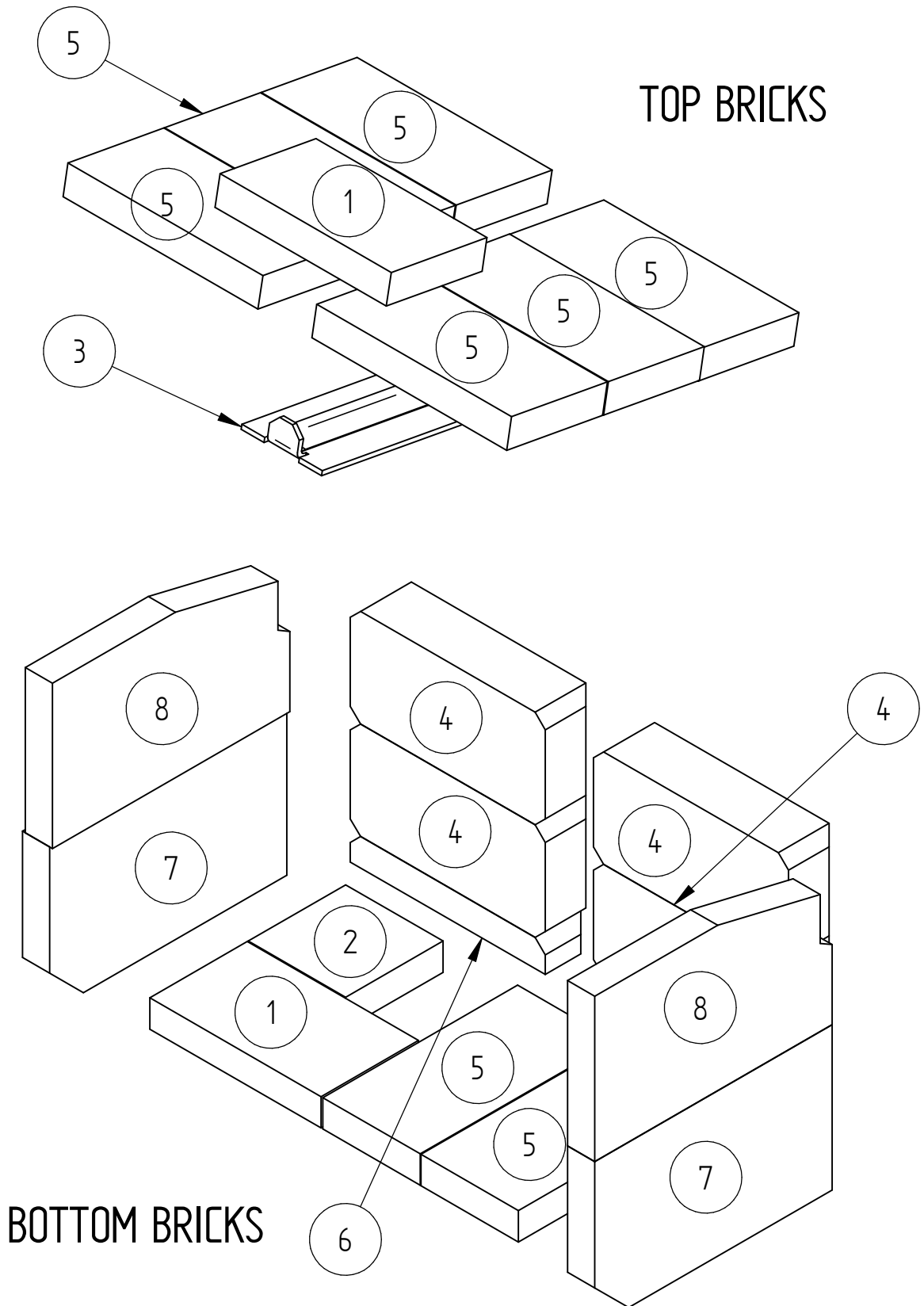
PRIOR TO 2015, LAR00375 – LAREDO AIR CONTROL HANDLE.
AFTER 2015 TO PRESENT, 596551 – KNOB ROUND

When ordering PLEASE QUOTE PART ID along with Finish Suffix (if applicable)

AIRSLIDE, BAFFLE, BRICKS AND FIREBOX				
Item	Part ID	Model(s)	Description	Qty
		983900		
2	983011	-	TUBE-SEC AIR, OSB1600	1
3	983022	-	BRICK 32 X 115 X 202, OSB1600	2
4	983029	-	BRICK 32 X 115 X 115, OSB1600	1
5	983040	-	BAFFLE SUPPORT, WELD ASSEMBLY - OSB1600	1
6	983046	-	AIR SLIDE, WELD ASSEMBLY - OSB1600	1
7	983048	-	SUPPORT-AIR CONTR. ROD, OSB1600	1
8	983088	-	GUIDE - AIR SLIDE	2
9	983089	-	RETAINER - AIR SLIDE, NARROW	1
10	521075	-	SCREW; M6X12 HEX ZP	6
11	521076	-	SCREW; M6X16 HEX ZP	10
12	525105	-	COTTER PIN 5.0X40 ZP	1
13	526006	-	CLIP; STARLOCK DOME M6	1
14	583012	-	ROD-AIR CONTROL, OSB1600	1
15	583023	-	BRICK 60 X 115 X 230, OSB1600	4
16	583024	-	BRICK 32 X 115 X 230, OSB1600	8
17	583026	-	BRICK 32 X 54 X 230, OSB1600	2
18	583095	-	BRICK-OSBURN-SIDE-LOWER	2
19	583096	-	BRICK-OSBURN-SIDE-UPPER	2
20	596551	-	KNOB- ROUND DIA 25X25-M6	1
21	MIC00083	-	LOGAIRE METRO AIR SLIDE SPACER	4
22*	523007		WASHER; FLAT 1/4"X5/8"X18G ZP	2

When ordering PLEASE QUOTE PART ID along with Finish Suffix (if applicable)

BAFFLE AND BRICKS LAYOUT

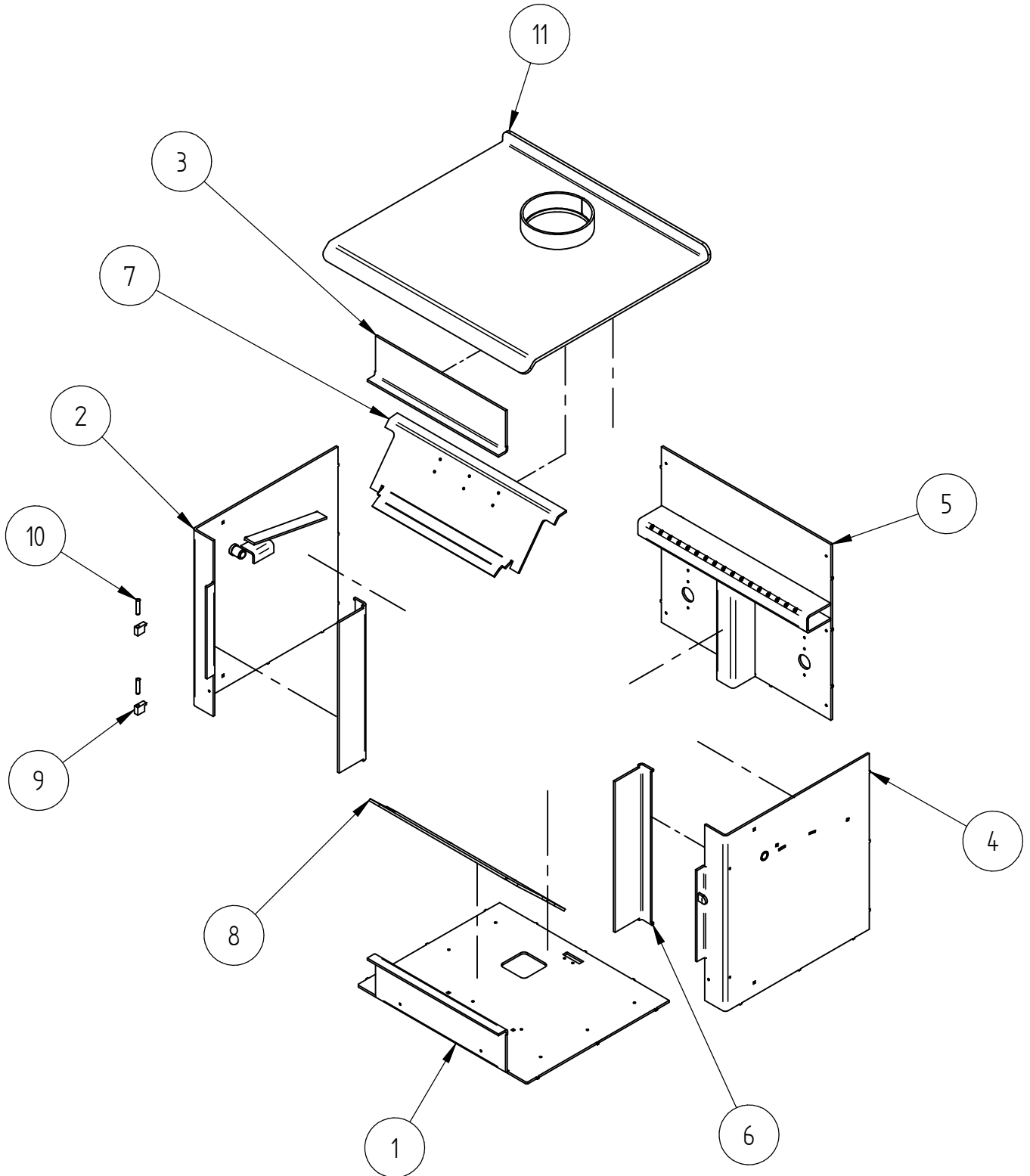


When ordering PLEASE QUOTE PART ID along with Finish Suffix (if applicable)

BAFFLE AND BRICKS LAYOUT				
Item	Part ID	Model(s)	Description	Qty
		983900		
1	983022	-	BRICK 32 X 115 X 202, OSB1600	2
2	983029	-	BRICK 32 X 115 X 115, OSB1600	1
3	983040	-	BAFFLE SUPPORT, WELD ASSEMBLY - OSB1600	1
4	583023	-	BRICK 60 X 115 X 230, OSB1600	4
5	583024	-	BRICK 32 X 115 X 230, OSB1600	8
6	583026	-	BRICK 32 X 54 X 230, OSB1600	2
7	583095	-	BRICK-OSBURN-SIDE-LOWER	2
8	583096	-	BRICK-OSBURN-SIDE-UPPER	2

When ordering PLEASE QUOTE PART ID along with Finish Suffix (if applicable)

FIREBOX DETAILS



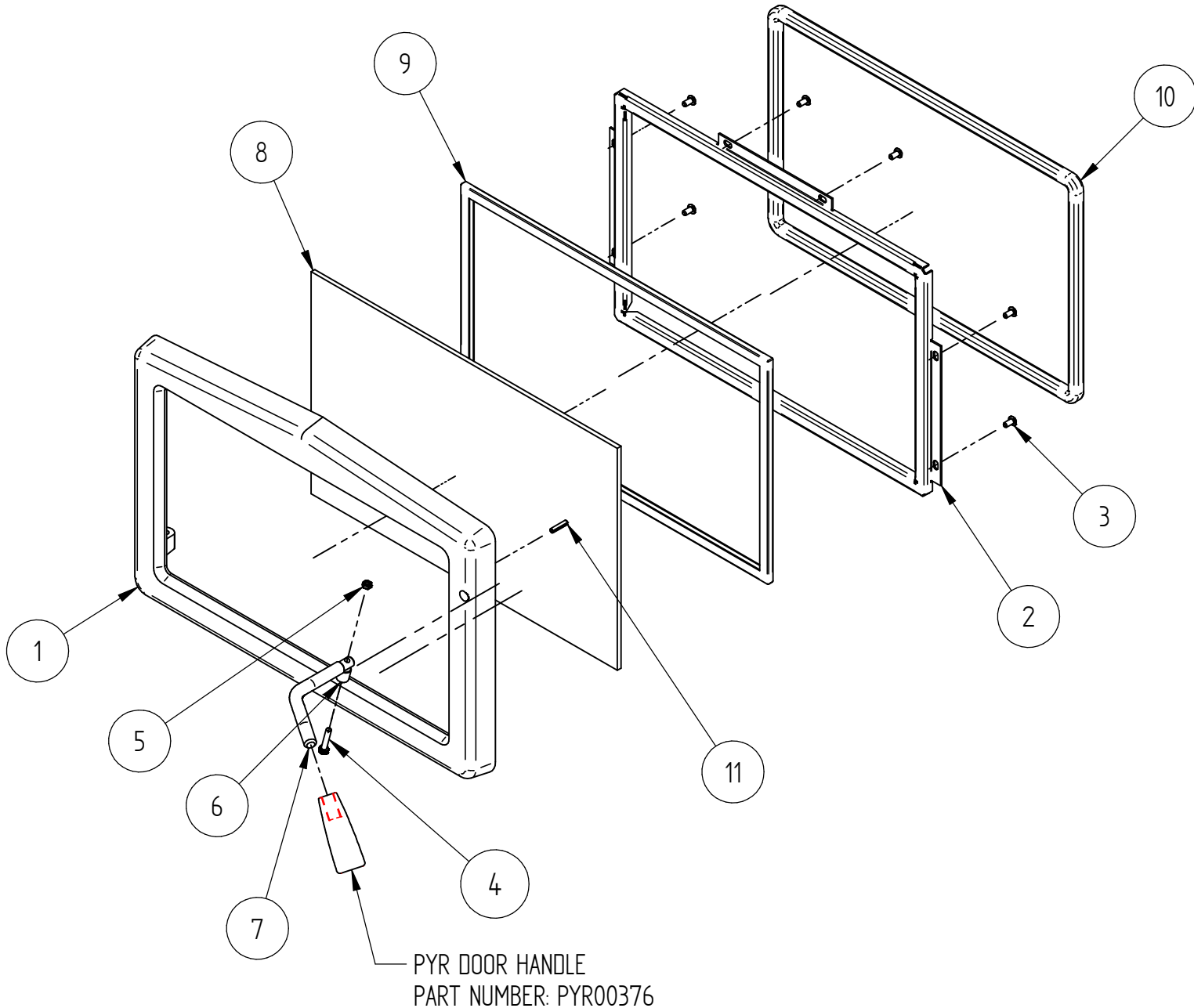
When ordering PLEASE QUOTE PART ID along with Finish Suffix (if applicable)

FIREBOX DETAILS: 983001				
Item	Part ID	Model(s)	Description	Qty
		983900		
1	983043	-	BOTTOM- F/B, OSB1600	1
2	983054	-	LEFT SIDE PANEL, WELD ASSEMBLY - OBS1600	1
3	983033	-	UPPER, FRONT PLATE, F/B, OSB1600	1
4	983069	-	RIGHT SIDE PANEL, WELDED ASSEMBLY - OBS1600	1
5	983059	-	F/B REAR PANEL, WELD ASSEMBLY - OBS1600	1
6	983045	-	AIR DUCT-FRONT, OSB1600	2
7	983036	-	AIR DEFLECTOR-TOP, OSB1600	1
8	983071	-	AIR DUCT-BOTTOM, OSB1600	1
9	583018	-	HINGE BLOCK MK2 OSB1600	2
10	525200	-	DOWEL PIN DIA5/16 X 1-1/2"	2
11	983142	-	TOP PLATE, WELD ASSEMBLY, OSB1600	1

When ordering PLEASE QUOTE PART ID along with Finish Suffix (if applicable)

DOOR ASSEMBLY

* AFTER 2015 TO PRESENT



FOR REPLACEMENT OF DOOR HANDLE:-

UNITS AFTER 2015 TO PRESENT - USE PYREDH (METRIC THREADS ON SPINDLE & PLASTIC HANDLE) - PAGE 10 & 11

When ordering PLEASE QUOTE PART ID along with Finish Suffix (if applicable)

*** AFTER 2015 TO PRESENT**

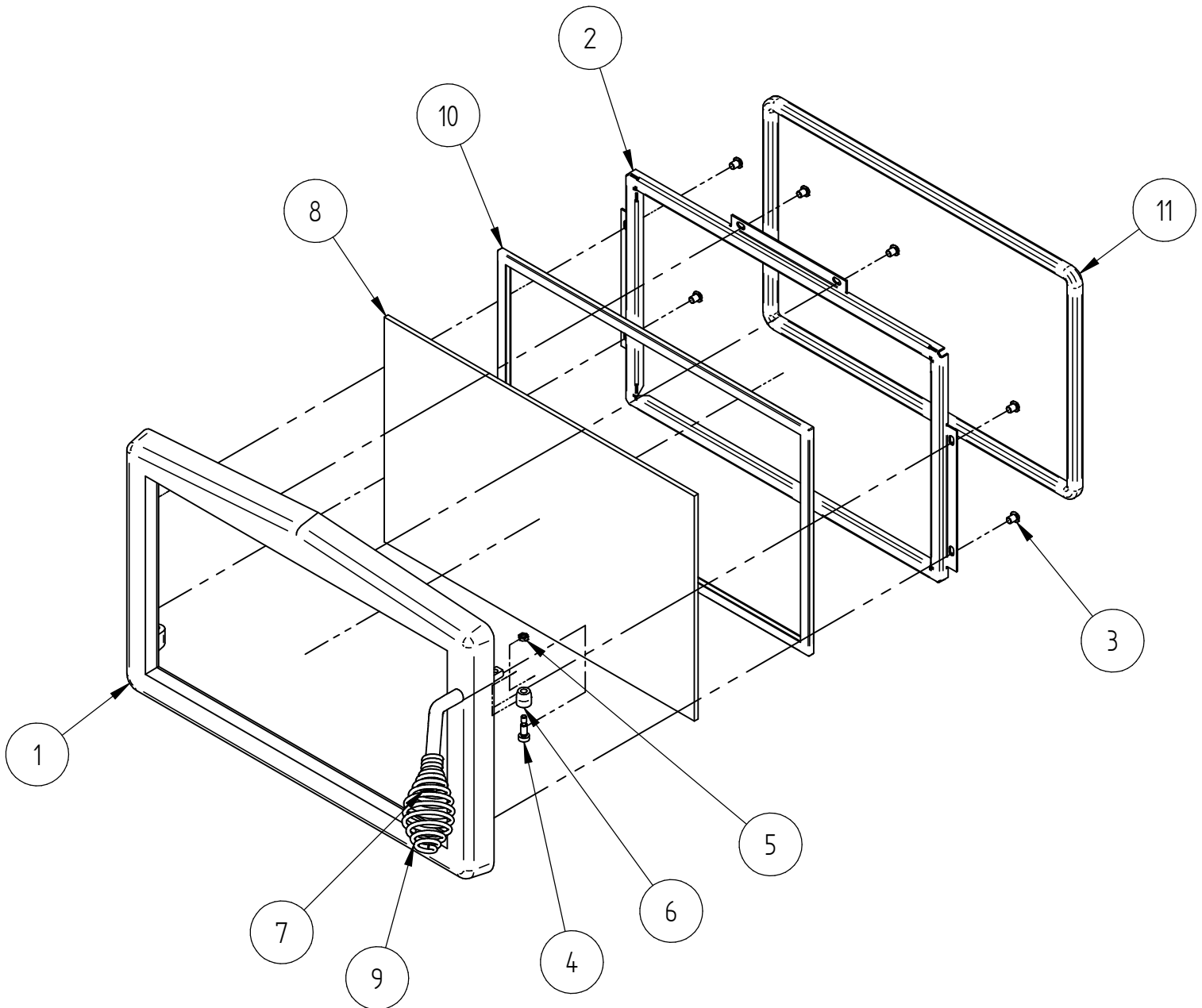
DOOR ASSEMBLY				
Item	Part ID	Model(s)	Description	Qty
		993900		
		983122V02		
1	983007	-	DOOR, OSB1600 METRIC	1
2	983053	-	RETAINER-GLASS, OSB1600	1
3	521509	-	SCREW; CAP M5X10 BUTTON ALLEN	6
4	521805	-	SCREW; CAP M5X25 ALLEN BLK	1
5	522901	-	NUT; BINX M5 ZP	1
6	PYR00461	-	PYR HANDLE ROLLER	1
7	KRR00373	-	KRR DOOR LEVER	1
8	583017	-	GLASS - W/FIRE OSBURN 5X409X257	1
9	C20MMLT	-	TAPE ,FLT 3 X 20 LDR AD BLK X 50m ROLL	1
10	C13MMDR	-	DOOR ROPE	1
11	525012	-	PIN; TENSION 4X20 BLK	1

*Optional Sale Kit

* PYREDH - DOOR HANDLE ASSEMBLY (METRIC)

DOOR ASSEMBLY

* PRIOR TO 2015



FOR REPLACEMENT OF DOOR HANDLE:-

UNITS PRIOR TO 2015 - USE AC09185 (IMPERIAL THREADS ON SPINDLE & WIRE HANDLE) - PAGE 12 & 13

When ordering PLEASE QUOTE PART ID along with Finish Suffix (if applicable)

*** PRIOR TO 2015**

DOOR ASSEMBLY				
Item	Part ID	Model(s)	Description	Qty
		993900		
		983083v02		
1	983002	-	DOOR, OSB1600	1
2	983053	-	RETAINER-GLASS, OSB1600	1
3	521506	-	SCREW; UNC 8-32x3/8" BUTTON ALLEN BLK	6
4	521903	-	SCREW; CAP SHOULDER DIA 6 (M5) X 12 ALLEN	1
5	522901	-	NUT; BINX M5 ZP	1
6	583008	-	ROLLER-HANDLE, OSB1600	1
7	583016	-	SPINDLE-DOOR, OSB1600	1
8	583017	-	GLASS - W/FIRE OSBURN 5X409X257	1
9	KRR00376BK	-	KRR DOOR HANDLE	1
10	C20MMLT	-	TAPE ,FLT 3 X 20 LDR AD BLK X 50m ROLL	1
11	C13MMDR	-	DOOR ROPE	1

*Optional Sale Kit

* AC09185 - DOOR HANDLE KIT (IMPERIAL)

NOT ILLUSTRATED				
Item	Part ID	Model(s)	Description	Qty
		983900		
1	583013	-	INSTRUCTION - BRICK LAYOUT OSBURN 1600	1
2	583085	-	OWNER MANUAL OSBURN 1600	1
3	OSF00738	-	OSB1600, INSTALLATION DATA SHEET	1

SURFACE FINISH CODES FOR PANELS						
VITREOUS ENAMEL		VHT PAINT(Very High Temp)			POWDER COAT	
E01	MATT BLACK	V02	P-000022	METALLIC BLACK	P02	MATT BLACK
E02	GLOSS BLACK	V03	P-000043	CHARCOAL	P03	CHARCOAL
E03	CHARCOAL	V04	P-000081	TITANIUM	P05	SATIN BLACK
		V05	P-000051	CHARCOAL (DAM MET BLK)	P09	METTALIC BLACK
		V06	P-000052	METALLIC BLACK ZINC		

LESS FREQUENTLY OR OLD SURFACE FINISH CODES FOR PANELS						
VITREOUS ENAMEL		VHT PAINT(Very High Temp)			POWDER COAT	
E04	JASMINE	V01		SATIN BLACK HIGH TEMP	P01	BLUE/BLACK
					P04	GLOSS CHARCOAL
					P07	FLAT BLACK

When ordering PLEASE QUOTE PART ID along with Finish Suffix (if applicable)